
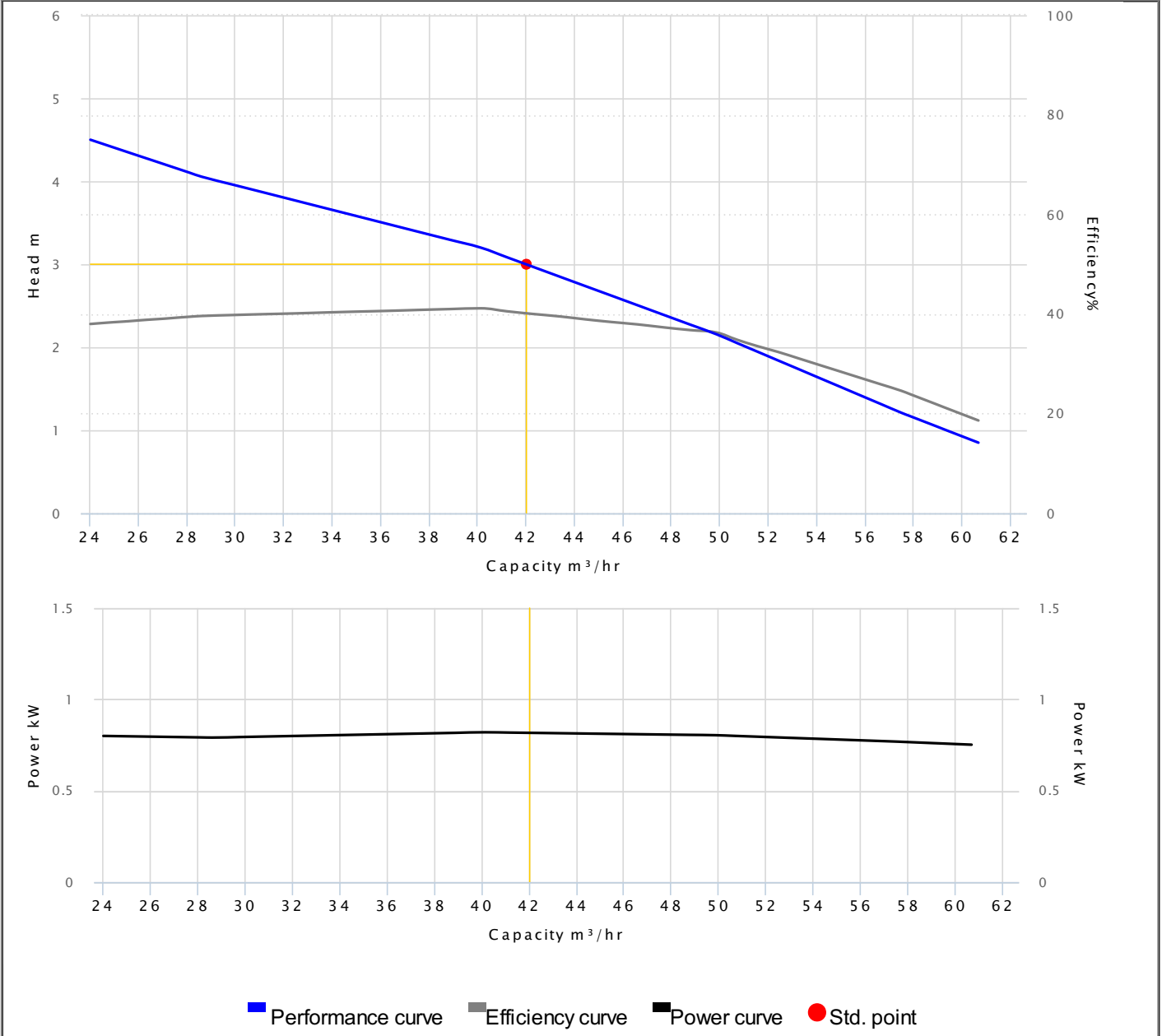


HCP PUMP

PUMP PERFORMANCE CURVES

Model	L-41A		
Frequency	50 Hz		
Discharge	4" / 100 mm		
Power	1 HP / 0.75 kW		
Std. Head	3 m		
Std. Capacity	42 m ³ /hr		
Phase/Volt	1 Ø / 220 V		
Rated Current	5.20 A		
rpm	2 P / 2800 rpm		
Start Method	CAPACITOR		
Insulation Class	B	Efficiency	40.1 %
Solid Passage	10 mm	Output	0.82 kW

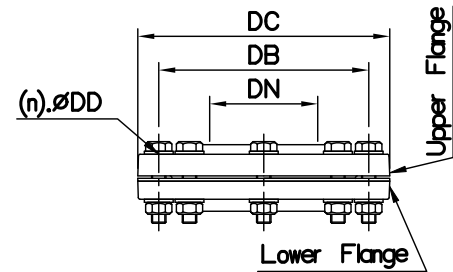
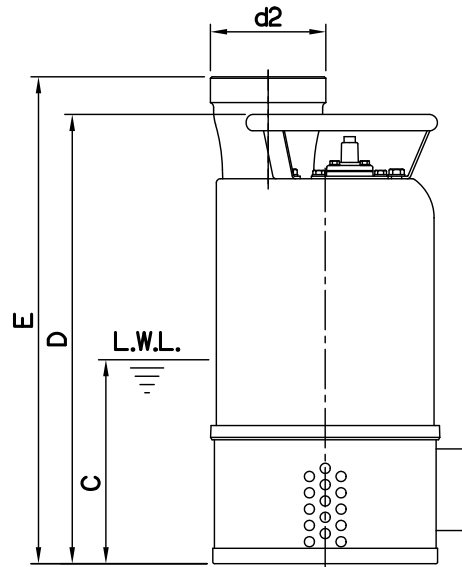
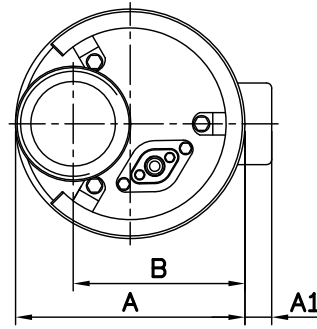


DIMENSIONS

NO: SIL00208A32-11

MODEL: L-405A / 41A

1Ø / 3Ø



Model	d2		Male Thread
	mm	inch	
L-405A	90	3.5"	PF
	100	4"	PF/PT/NPT
L-41A	90	3.5"	PF
	100	4"	PF/PT/NPT

Dimensions—mm

Weight:kg

Model	A	A1	B	C	D	E	WT1	Double Flange Set	
								L2F4(3.5)-175-180	L2F4-165-190
L-405A 1Ø	225	26	169	200	441	478	25	L2F4(3.5)-175-180	L2F4-165-190
L-405A 3Ø	225	26	169	200	441	478	25	L2F4(3.5)-175-180	L2F4-165-190
L-41A 1Ø	225	26	169	200	441	478	26	L2F4(3.5)-175-180	L2F4-165-190
L-41A 3Ø	225	26	169	200	441	478	26	L2F4(3.5)-175-180	L2F4-165-190

Dimensions—mm

Weight:kg

L2F	DN	DB	DC	DD	DH	WT2	(n)QTY
L2F4-165-190	100	165~190	225	19	58	9	8
-	-	-	-	-	-	-	-
-	-	-	-	-	-	-	-

Dimensions—inch

Weight:lb

Model	A	A1	B	C	D	E	WT1	Double Flange Set	
								L2F4(3.5)-175-180	L2F4-165-190
L-405A 1Ø	8 7/8	1	6 5/8	7 7/8	17 3/8	18 3/8	55	L2F4(3.5)-175-180	L2F4-165-190
L-405A 3Ø	8 7/8	1	6 5/8	7 7/8	17 3/8	18 3/8	55	L2F4(3.5)-175-180	L2F4-165-190
L-41A 1Ø	8 7/8	1	6 5/8	7 7/8	17 3/8	18 3/8	57	L2F4(3.5)-175-180	L2F4-165-190
L-41A 3Ø	8 7/8	1	6 5/8	7 7/8	17 3/8	18 3/8	57	L2F4(3.5)-175-180	L2F4-165-190

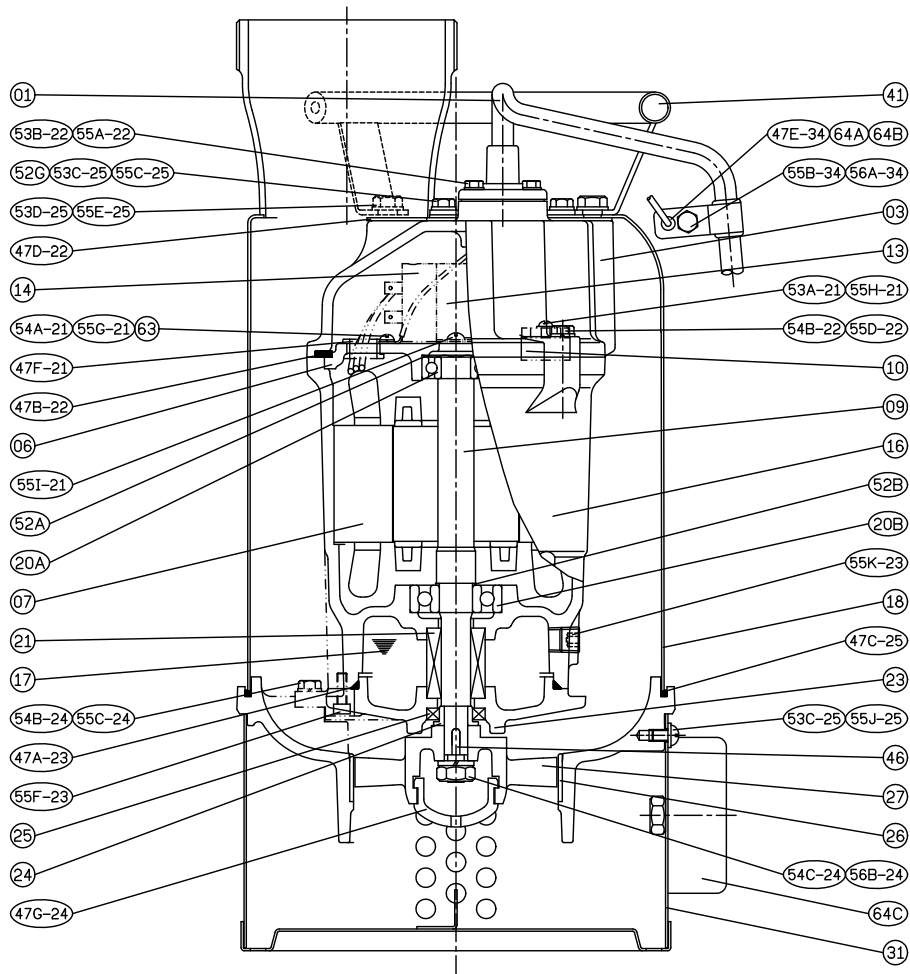
Dimensions—inch

Weight:lb

L2F	DN	DB	DC	DD	DH	WT2	(n)QTY
L2F4-165-190	4	6 1/2~7 1/2	8 7/8	3/4	2 5/8	20	8
-	-	-	-	-	-	-	-
-	-	-	-	-	-	-	-

L.W.L.:Lowest Running Water Level

WT1:Pump Weight(Without Cable)
WT2:Double Flange Set Weight



No.	Part name	Material	QTY	Remark
01	Cable		1	
03	Upper cover	FC200	1	
06	Bracket	FC200	1	
07	Stator		1	
09	Shaft end	SUS304	1	
10	Auto-cut Protector		1	
14	Capacitor		1	
16	Motor frame	FC200	1	
17	Lubricant			
18	Outer cover	SUS304	1	
20A	Bearing		1	
20B	Bearing		1	
21	M.seal	CA / CE & SIC / SIC	1	

No.	Part name	Material	QTY	Remark
23	M. seal bracket	FC200	1	
24	Oil seal bush	SUS304L	1	
25	Oil seal	NBR	1	
26	Casing	FC200	1	
	+Wear ring	SUS304	1	
27	Impeller	ALBC3	1	
31	Strainer	SUS304	1	
41	Handle	SUS304	1	
46	Impeller key	SUS304	1	
47	Packing			
64C	Sacrificial aluminum anode plate	Al	1	