
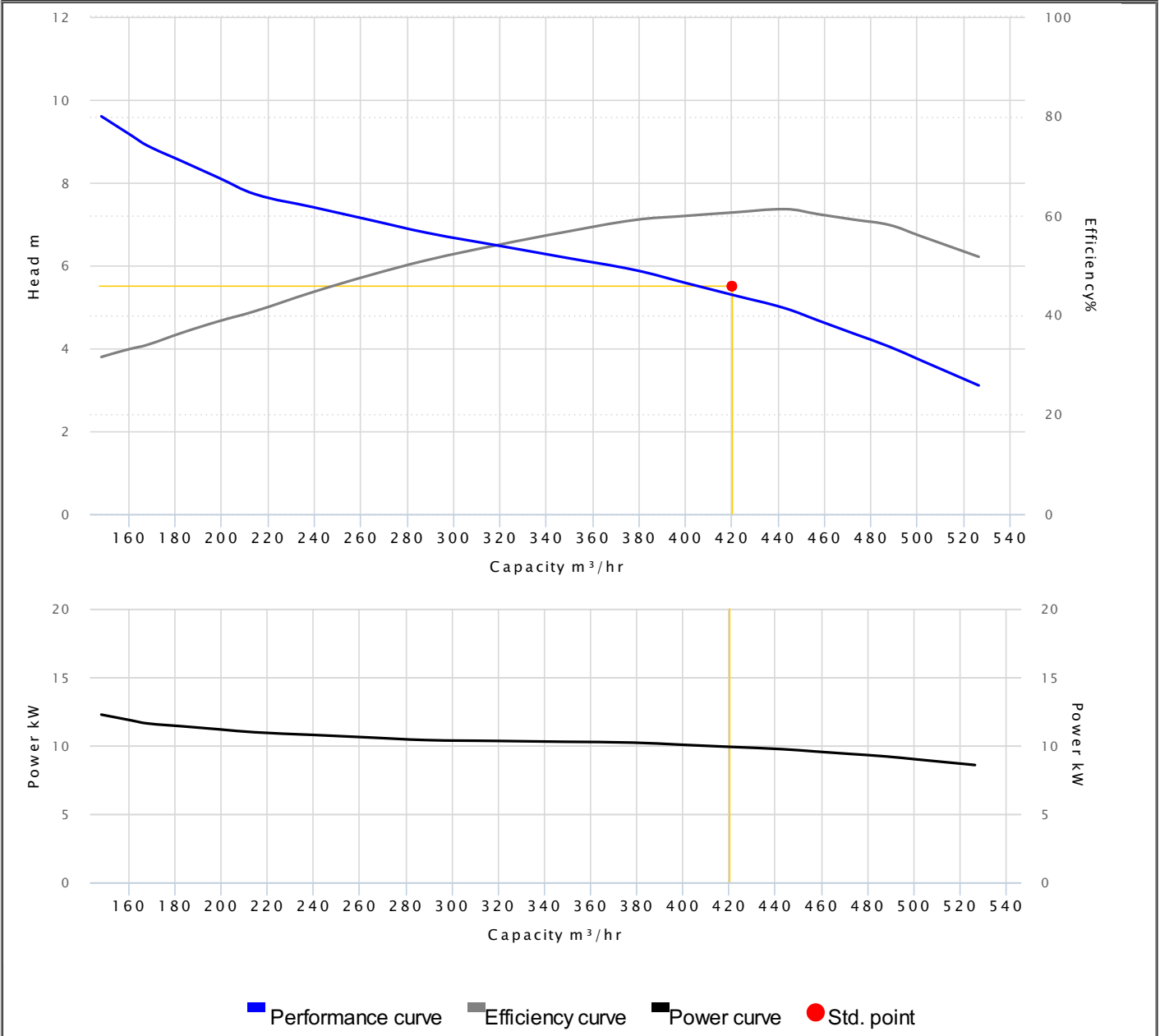




# HCP PUMP

## PUMP PERFORMANCE CURVES

<b>Model</b>	L-300B		
<b>Frequency</b>	50 Hz		
<b>Discharge</b>	12" / 300 mm		
<b>Power</b>	15 HP / 11 kW		
<b>Std. Head</b>	5.5 m		
<b>Std. Capacity</b>	420 m <sup>3</sup> /hr		
<b>Phase/Volt</b>	3 Ø / 380 V		
<b>Rated Current</b>	23.40 A		
<b>rpm</b>	4 P / 1450 rpm		
<b>Start Method</b>	DIRECT		
<b>Insulation Class</b>	H	<b>Efficiency</b>	60.5 %
<b>Solid Passage</b>	23 mm	<b>Output</b>	9.94 kW

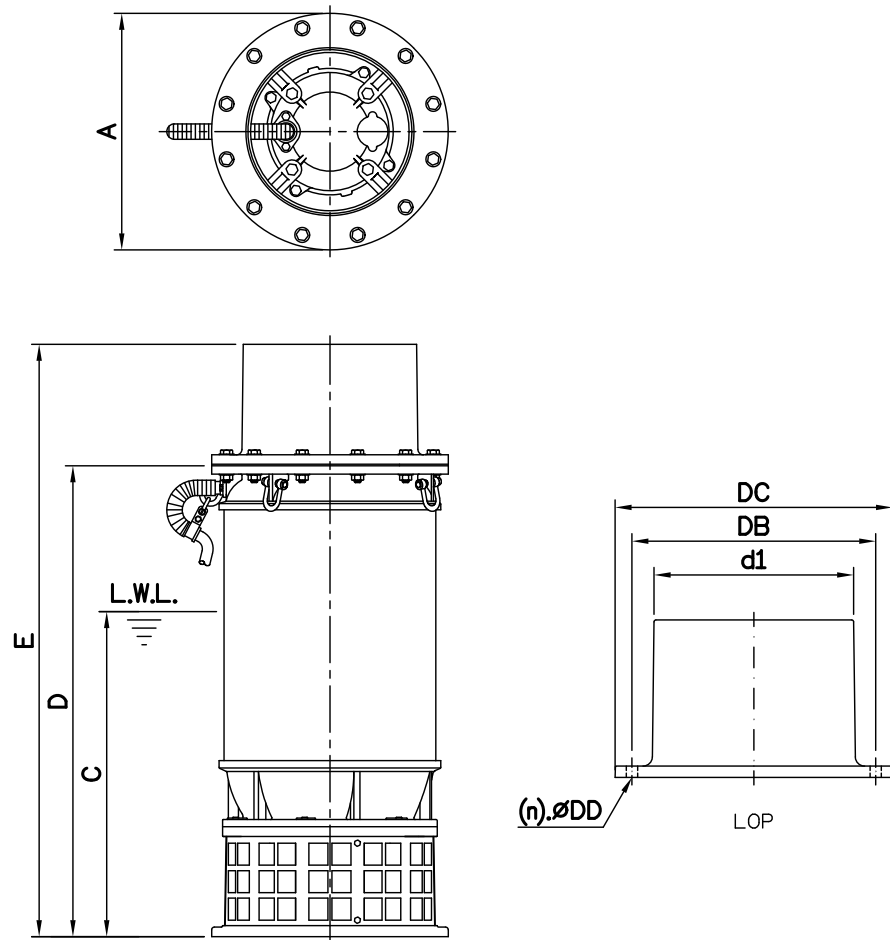


## DIMENSIONS

NO: SKL004A1B30-00

MODEL: L-300B

50Hz 3Ø



Dimensions—mm

Weight:kg

Model	A	C	D	E	WT1	Outlet	d1	DB	DC	DD	(n)QTY
L-300B	430	600	862	1082	198	LOP10(12)-389	250	389	430	15	12
L-300B	430	600	862	1082	198	LOP12-389	300	389	430	15	12

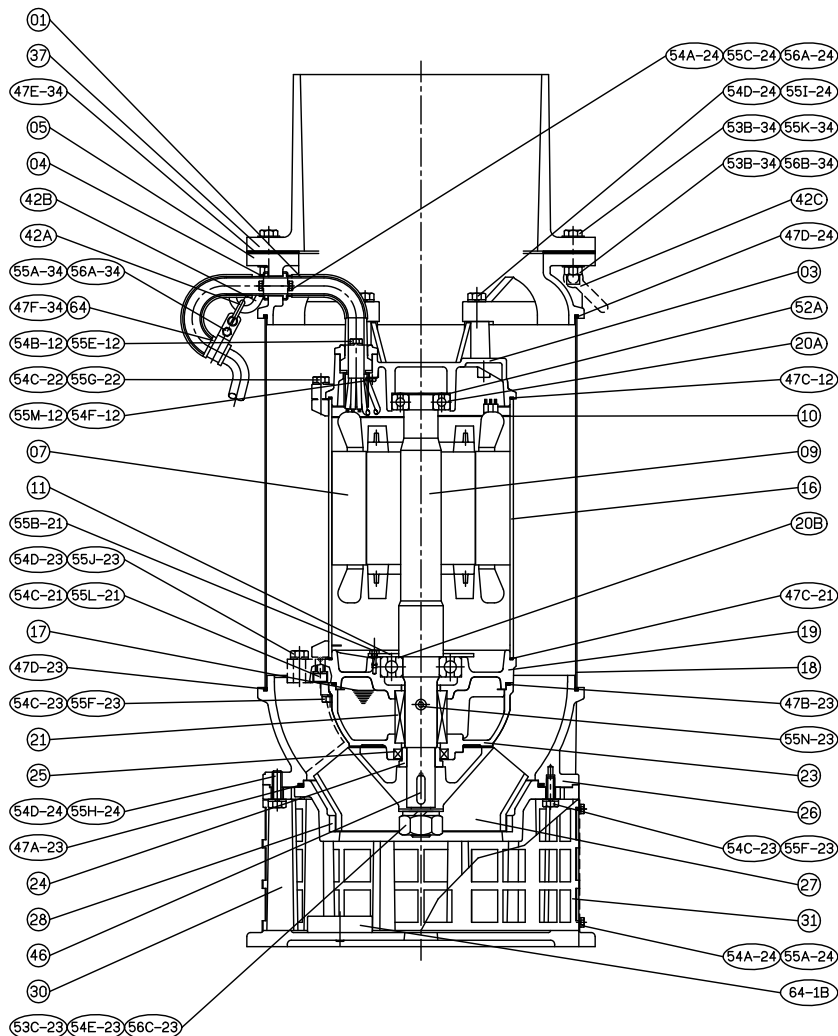
Dimensions—inch

Weight:lb

Model	A	C	D	E	WT1	Outlet	d1	DB	DC	DD	(n)QTY
L-300B	16 <sup>5</sup> / <sub>16</sub>	23 <sup>5</sup> / <sub>16</sub>	33 <sup>15</sup> / <sub>16</sub>	42 <sup>5</sup> / <sub>16</sub>	436	LOP10(12)-389	10	15 <sup>5</sup> / <sub>16</sub>	16 <sup>15</sup> / <sub>16</sub>	9 <sup>1</sup> / <sub>16</sub>	12
L-300B	16 <sup>5</sup> / <sub>16</sub>	23 <sup>5</sup> / <sub>16</sub>	33 <sup>15</sup> / <sub>16</sub>	42 <sup>5</sup> / <sub>16</sub>	436	LOP12-389	12 <sup>1</sup> / <sub>16</sub>	15 <sup>5</sup> / <sub>16</sub>	16 <sup>15</sup> / <sub>16</sub>	9 <sup>1</sup> / <sub>16</sub>	12

L.W.L.:Lowest Running Water Level

WT1:Pump Weight(Without Cable)



No.	Part name	Material	QTY	Remark
01	Cable		1	
03	Upper cover	BC6	1	
05	Outlet disk	FC200	1	
07	Stator		1	
09	Shaft end	SUS304	1	
10	Protective Plate		1	
11	Bearing fixer	SPCC	1	
16	Motor frame	SUS304	1	
17	Lubricant			
18	Outer cover	SUS304	1	
19	Bearing bracket	BC6	1	
20A	Bearing		1	
20B	Bearing		1	
21	M.seal	CA / CE & CA / CE	1	

No.	Part name	Material	QTY	Remark
23	M. seal bracket	BC6	1	
24	Oil seal bush	SUS304	1	
25	Oil seal	NBR	1	
26	Casing	FC200	1	
27	Impeller	ALBC3	1	
28	Casing cover	FC200	1	
	+Wear ring	ALBC3	1	
30	Footing	FC200	1	
31	Strainer	SUS304	1	
37	Outlet	FC200	1	
46	Impeller key	SUS304	1	
47	Packing			
64B	Sacrificial aluminum anode plate	Al	1	