
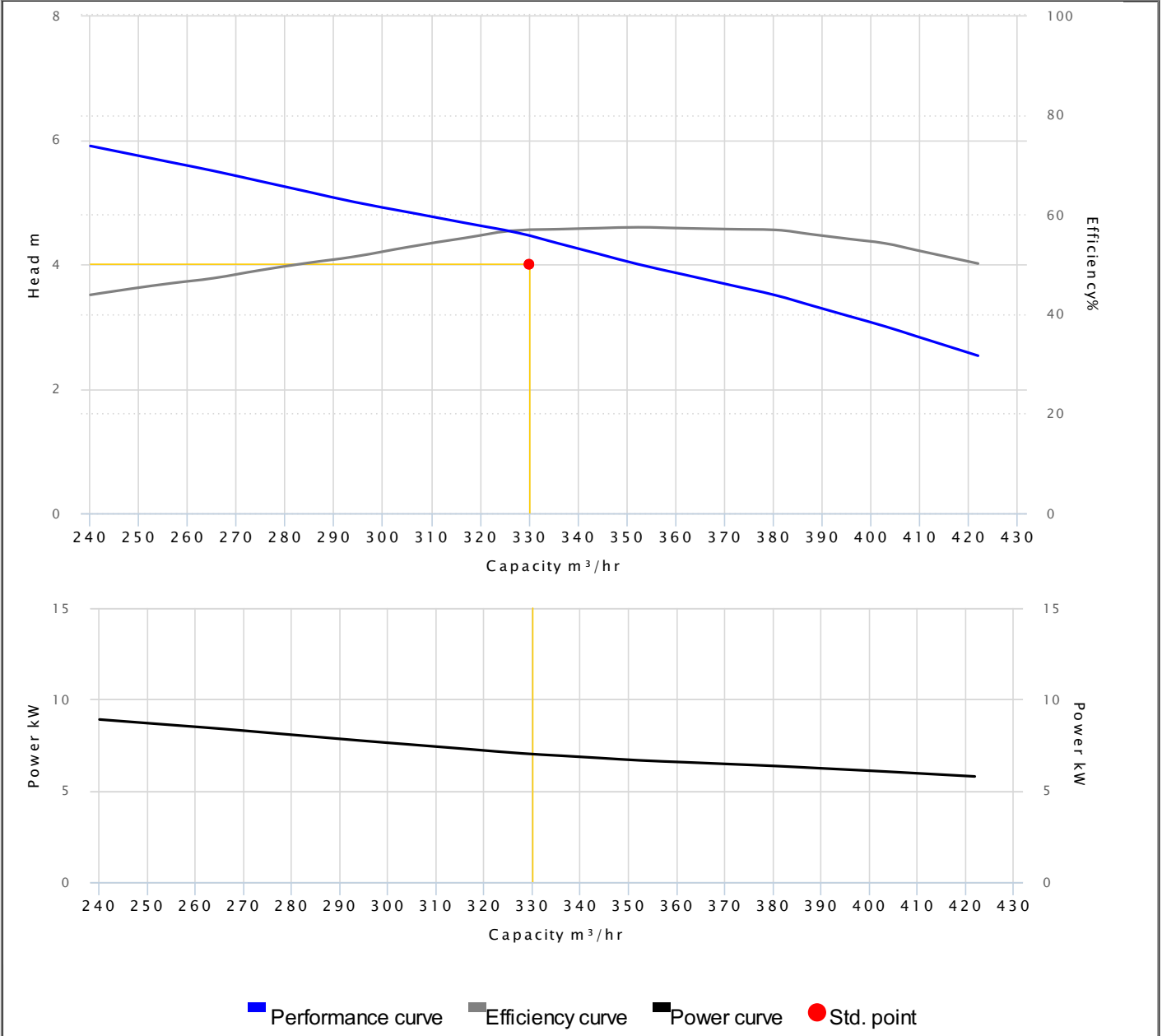


HCP PUMP

PUMP PERFORMANCE CURVES

Model	L-250A		
Frequency	50 Hz		
Discharge	10" / 250 mm		
Power	10 HP / 7.5 kW		
Std. Head	4 m		
Std. Capacity	330 m ³ /hr		
Phase/Volt	3 Ø / 380 V		
Rated Current	16.20 A		
rpm	4 P / 1440 rpm		
Start Method	DIRECT		
Insulation Class	H	Efficiency	57.2 %
Solid Passage	22 mm	Output	6.84 kW

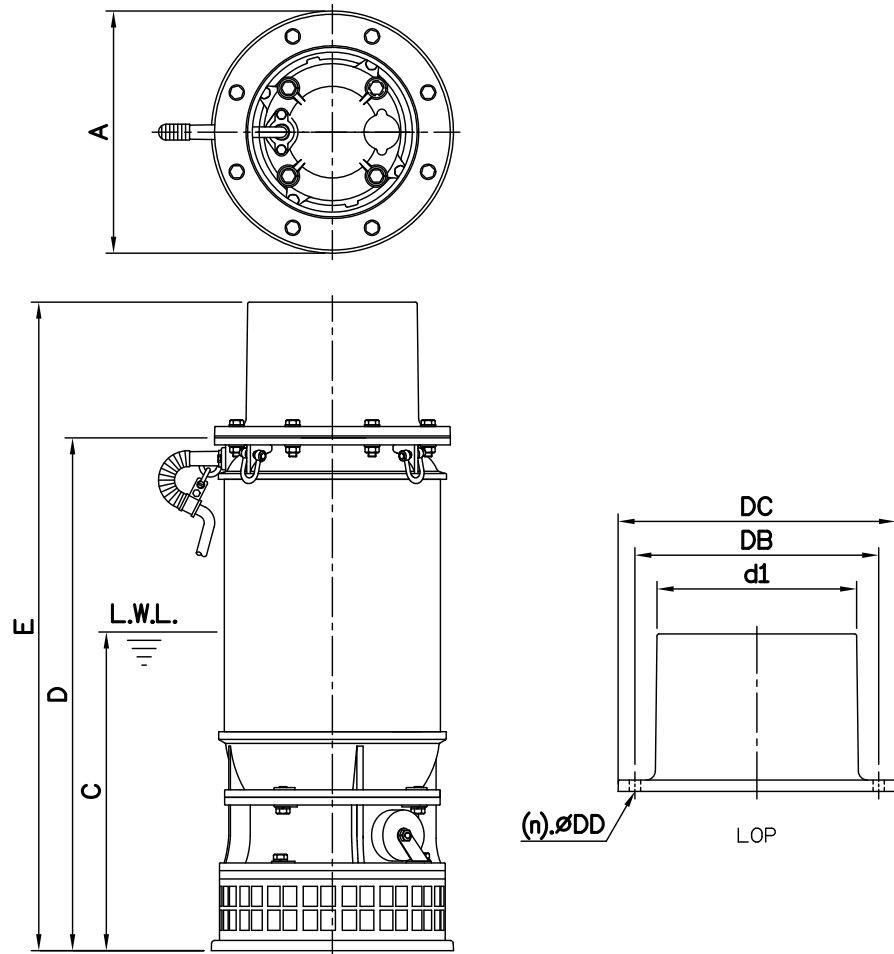


DIMENSIONS

NO: SJL00475A30-03

MODEL: L-200A / 250A

50Hz 3Ø



Dimensions-mm

Weight:kg

Model	A	C	D	E	WT1	Outlet	d1	DB	DC	DD	(n)QTY
L-200A	340	400	733	923	116	LOP8-285	200	285	330	15	8
L-250A	380	500	815	1029	157	LOP10-325	250	325	370	15	8

Dimensions-inch

Weight:lb

Model	A	C	D	E	WT1	Outlet	d1	DB	DC	DD	(n)QTY
L-200A	13 ³ / ₈	15 ³ / ₄	28 ⁷ / ₈	36 ⁵ / ₁₆	256	LOP8-285	7 ⁷ / ₈	11 ¹ / ₄	13	⁹ / ₁₆	8
L-250A	14 ¹⁵ / ₁₆	19 ¹ / ₄	32 ¹ / ₈	40 ¹ / ₂	346	LOP10-325	9 ³ / ₁₆	12 ¹³ / ₁₆	14 ³ / ₁₆	⁹ / ₁₆	8

L.W.L.:Lowest Running Water Level

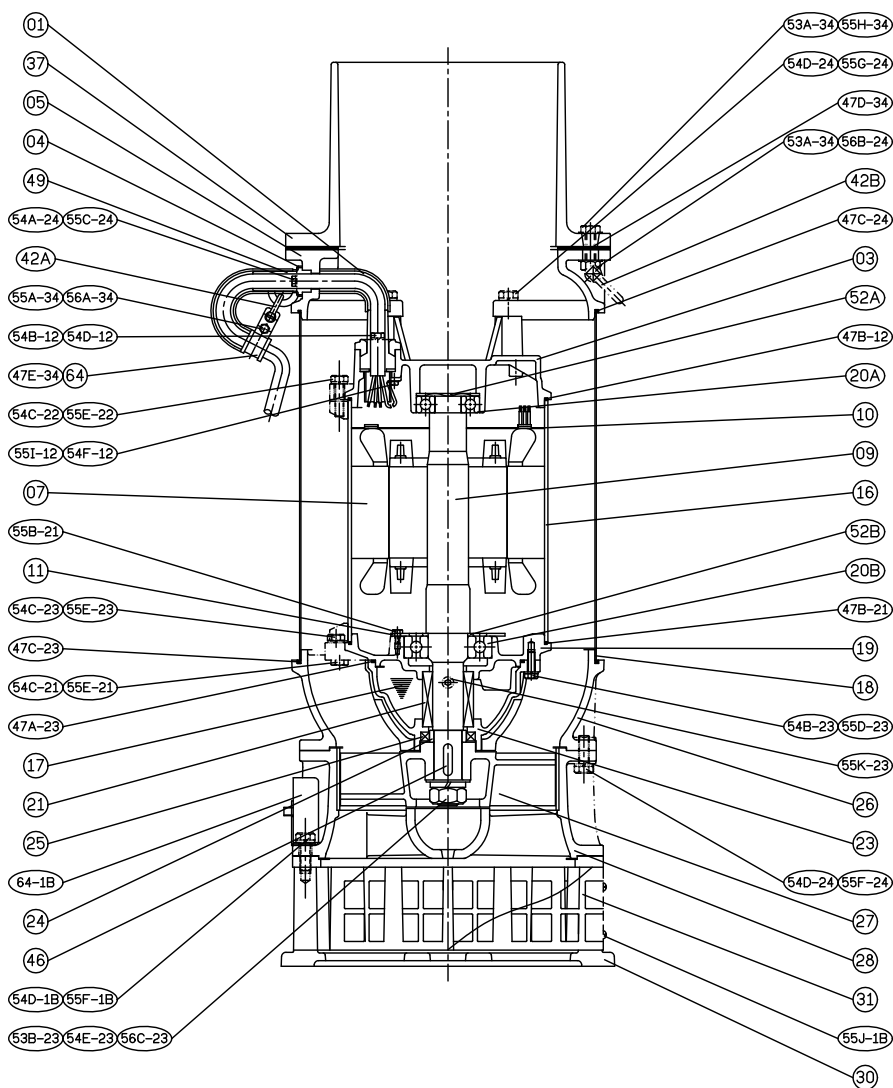
WT1:Pump Weight(Without Cable)

SECTIONAL VIEWS

NO: 0JL00475A30-1

MODEL: L-250A

30



No.	Part name	Material	QTY	Remark
01	Cable		1	
03	Upper cover	BC6	1	
05	Outlet disk	FC200	1	
07	Stator		1	
09	Shaft end	SUS304	1	
10	Protective Plate		1	
11	Bearing fixer	SPCC	1	
16	Motor frame	SUS304	1	
17	Lubricant			
18	Outer cover	SUS304	1	
19	Bearing bracket	BC6	1	
20A	Bearing		1	
20B	Bearing		1	
21	M.seal	CA / CE & CA / CE	1	

No.	Part name	Material	QTY	Remark
23	M. seal bracket	BC6	1	
24	Oil seal bush	SUS304	1	
25	Oil seal	NBR	1	
26	Casing	FC200	1	
27	Impeller	ALBC3	1	
28	Casing cover	FC200	1	
	+Wear ring	SUS304	1	
30	Footing	FC200	1	
31	Strainer	SUS304	1	
37	Outlet	FC200	1	
46	Impeller key	SUS304	1	
47	Packing			
64B	Sacrificial aluminum anode plate	Al	1	