
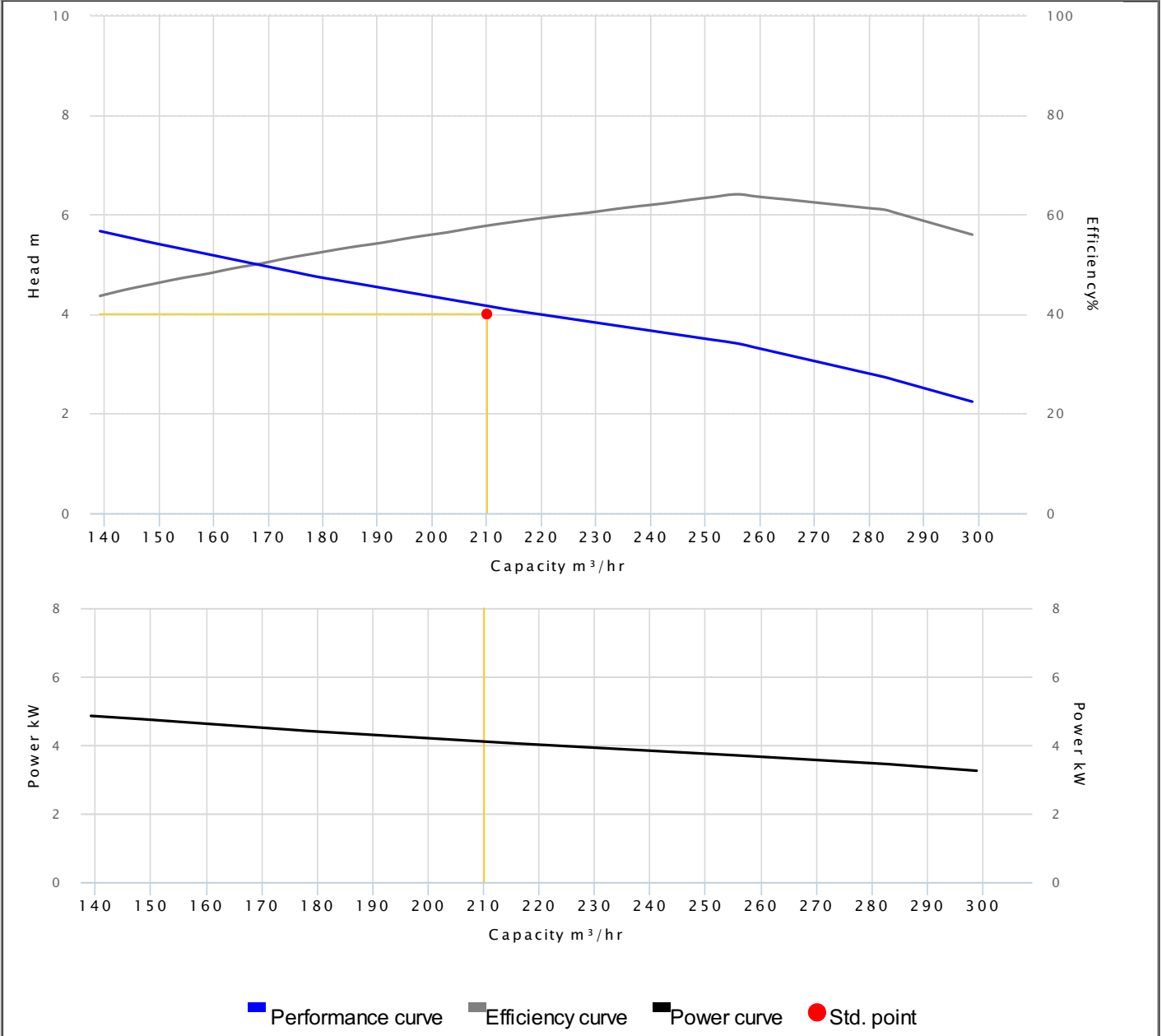


# HCP PUMP

## PUMP PERFORMANCE CURVES

<b>Model</b>	L-200A		
<b>Frequency</b>	50 Hz		
<b>Discharge</b>	8" / 200 mm		
<b>Power</b>	7.5 HP / 5.5 kW		
<b>Std. Head</b>	4 m		
<b>Std. Capacity</b>	210 m <sup>3</sup> /hr		
<b>Phase/Volt</b>	3 Ø / 380 V		
<b>Rated Current</b>	12.60 A		
<b>rpm</b>	4 P / 1440 rpm		
<b>Start Method</b>	DIRECT		
<b>Insulation Class</b>	H	<b>Efficiency</b>	58.2 %
<b>Solid Passage</b>	22 mm	<b>Output</b>	4.07 kW

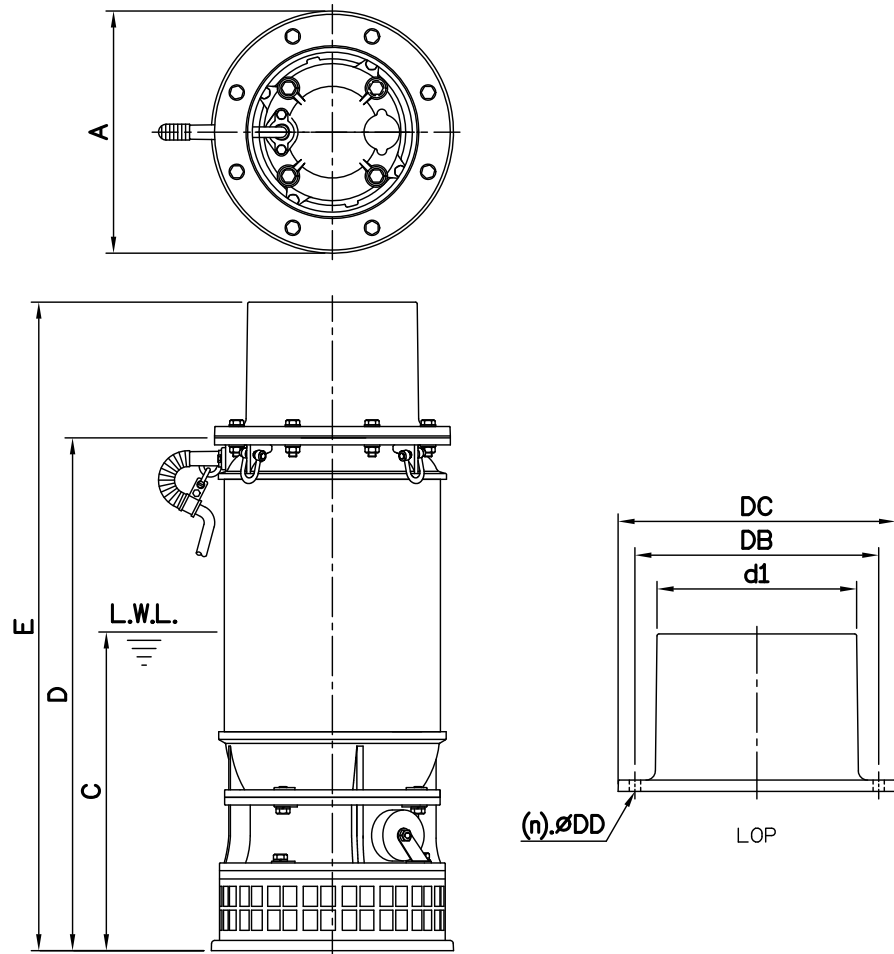


**DIMENSIONS**

**NO: SJL00475A30-03**

**MODEL: L-200A / 250A**

**50Hz 3Ø**



Dimensions-mm

Weight:kg

Model	A	C	D	E	WT1	Outlet	d1	DB	DC	DD	(n)QTY
L-200A	340	400	733	923	116	LOP8-285	200	285	330	15	8
L-250A	380	500	815	1029	157	LOP10-325	250	325	370	15	8

Dimensions-inch

Weight:lb

Model	A	C	D	E	WT1	Outlet	d1	DB	DC	DD	(n)QTY
L-200A	13 <sup>3</sup> / <sub>8</sub>	15 <sup>3</sup> / <sub>4</sub>	28 <sup>7</sup> / <sub>8</sub>	36 <sup>5</sup> / <sub>16</sub>	256	LOP8-285	7 <sup>7</sup> / <sub>8</sub>	11 <sup>1</sup> / <sub>4</sub>	13	<sup>9</sup> / <sub>16</sub>	8
L-250A	14 <sup>15</sup> / <sub>16</sub>	19 <sup>1</sup> / <sub>4</sub>	32 <sup>1</sup> / <sub>8</sub>	40 <sup>1</sup> / <sub>2</sub>	346	LOP10-325	9 <sup>3</sup> / <sub>16</sub>	12 <sup>13</sup> / <sub>16</sub>	14 <sup>3</sup> / <sub>16</sub>	<sup>9</sup> / <sub>16</sub>	8

L.W.L.:Lowest Running Water Level

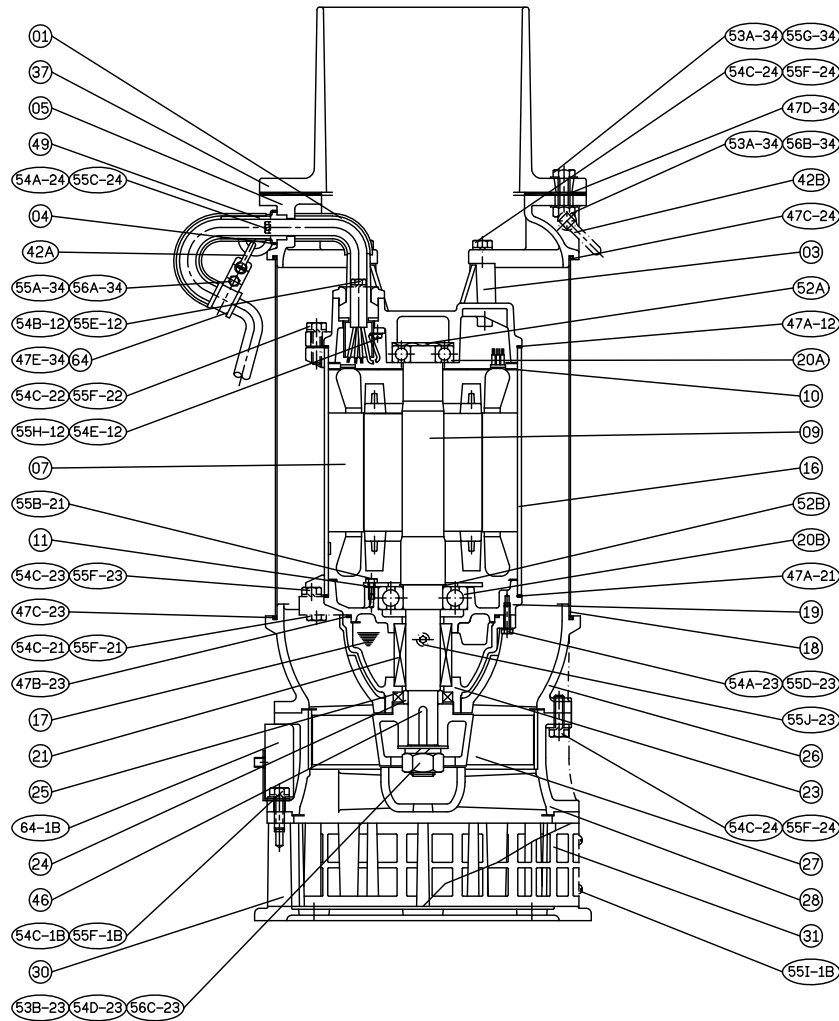
WT1:Pump Weight(Without Cable)

## SECTIONAL VIEWS

NO: 08L00455A30-0

MODEL: L-200A

3Ø



No.	Part name	Material	QTY	Remark
01	Cable		1	
03	Upper cover	BC6	1	
05	Outlet disk	FC200	1	
07	Stator		1	
09	Shaft end	SUS304	1	
10	Protective Plate		1	
11	Bearing fixer	SPCC	1	
16	Motor frame	SUS304	1	
17	Lubricant			
18	Outer cover	SUS304	1	
19	Bearing bracket	BC6	1	
20A	Bearing		1	
20B	Bearing		1	
21	M.seal	CA / CE & CA / CE	1	

No.	Part name	Material	QTY	Remark
23	M. seal bracket	BC6	1	
24	Oil seal bush	SUS304	1	
25	Oil seal	NBR	1	
26	Casing	FC200	1	
27	Impeller	ALBC3	1	
28	Casing cover	FC200	1	
	+Wear ring	SUS304	1	
30	Footing	FC200	1	
31	Strainer	SUS304	1	
37	Outlet	FC200	1	
46	Impeller key	SUS304	1	
47	Packing			
64B	Sacrificial aluminum anode plate	Al	1	