
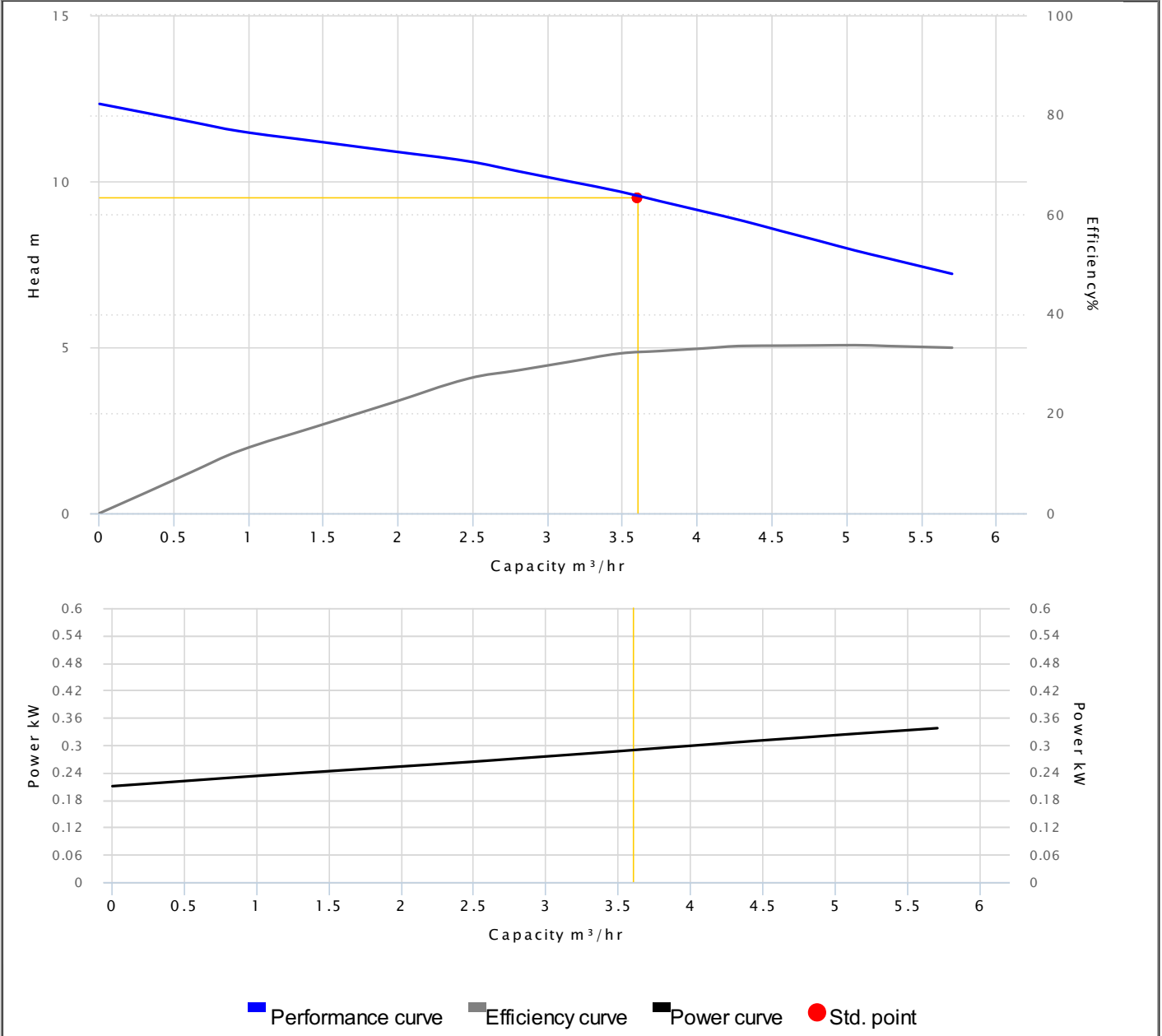




# HCP PUMP

## PUMP PERFORMANCE CURVES

Model	GDR-400		
Frequency	50 Hz		
Discharge	1" / 25 mm		
Power	0.5 HP / 0.4 kW		
Std. Head	9.5 m		
Std. Capacity	3.6 m <sup>3</sup> /hr		
Phase/Volt	1 Ø / 220 V		
Rated Current	3.10 A		
rpm	2 P / 2780 rpm		
Start Method	CAPACITOR		
Insulation Class	B		
Solid Passage	-	Output	0.29 kW

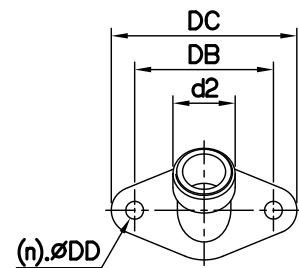
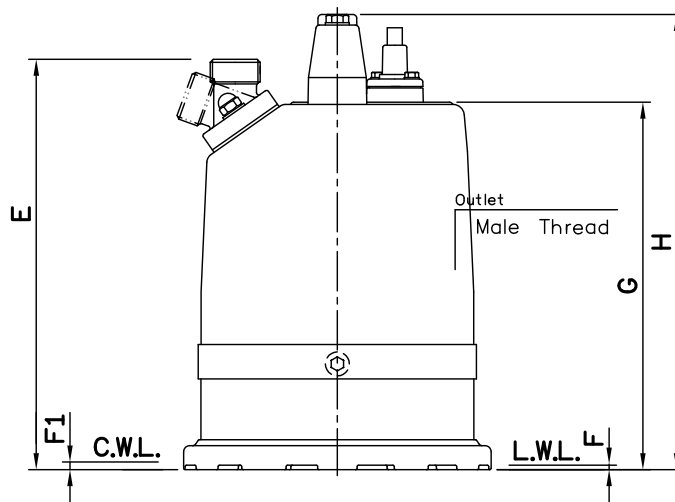
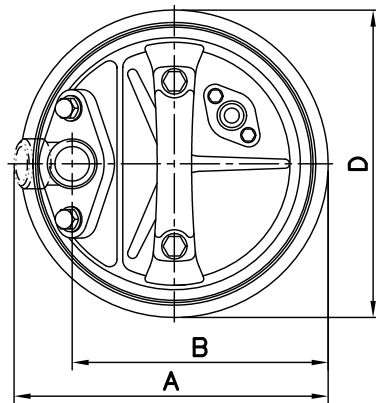


**DIMENSIONS**

**NO: S1GDR204012-00**

**MODEL: GDR-400**

**1Ø**



Outlet	
Male Thread	
PF	NPT

Dimensions—mm

Weight:kg

Model	A	B	D	E	F	F1	G	H	WT1	Outlet	d2	DB	DC	DD	(n)QTY
GDR-400	209	171	205	274	1~2	5	246	304	11.8	LOT1-74	25	74	99	9	2
GDR-400	240	171	205	302	1~2	5	246	304	11.8	LOT2-74	50	74	99	9	2

Dimensions—inch

Weight:lb

Model	A	B	D	E	F	F1	G	H	WT1	Outlet	d2	DB	DC	DD	(n)QTY
GDR-400	8 1/4	6 3/4	8 1/8	10 3/8	1/16	3/16	9 1/8	11 15/16	26	LOT1-74	1	2 15/16	3 7/8	3/8	2
GDR-400	9 1/8	6 3/4	8 1/8	11 1/4	1/16	3/16	9 1/8	11 15/16	26	LOT2-74	2	2 15/16	3 7/8	3/8	2

C.W.L.:Continuous Running Water Level  
L.W.L.:Lowest Running Water Level

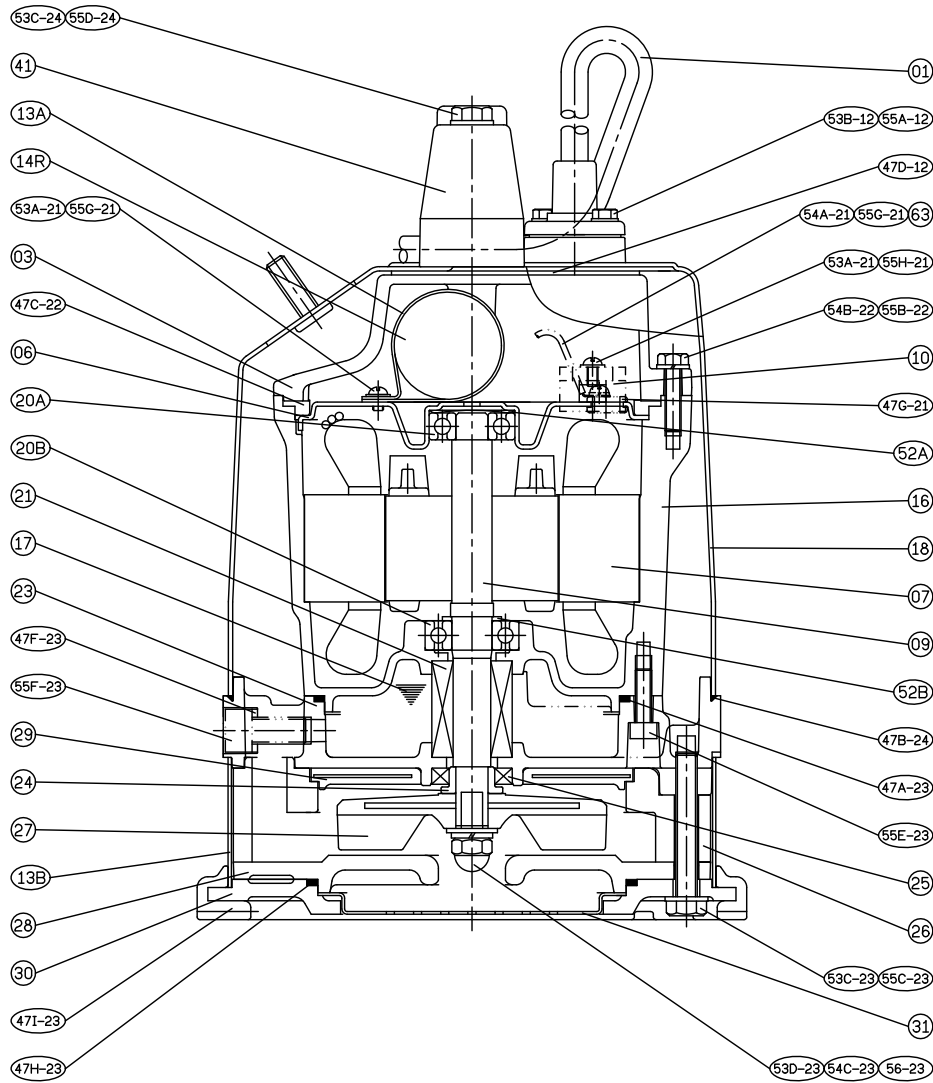
WT1:Pump Weight(Without Cable)

## SECTIONAL VIEWS

NO: 01GDR204010-0

MODEL: GDR-400

10



No.	Part name	Material	QTY	Remark
01	Cable		1	
03	Upper cover	ADC12	1	
06	Bracket	SECD	1	
07	Stator		1	
09	Shaft end	SUS410	1	
10	Auto-cut Protector		1	
13B	Stand Bracket	SUS304	1	
14R	Capacitor		1	
16	Motor frame	ADC12	1	
17	Lubricant			
18	Outer cover	SPCE	1	
20A	Bearing		1	
20B	Bearing		1	

No.	Part name	Material	QTY	Remark
21	M.seal	CA / CE & SIC / SIC	1	
23	M.seal bracket	ADC12	1	
24	Oil seal bush	SUS304L	1	
25	Oil seal	NBR	1	
26	Casing	Synthetic Rubber	1	
27	Impeller	Urethane Rubber +SPCC	1	
28	Casing cover	FC200	1	
29	Wear plate	Synthetic Rubber +SPCC	1	
30	Footing	FC200	1	
31	Strainer	SUS304	1	
41	Handle	ABS	1	
47	Packing			