
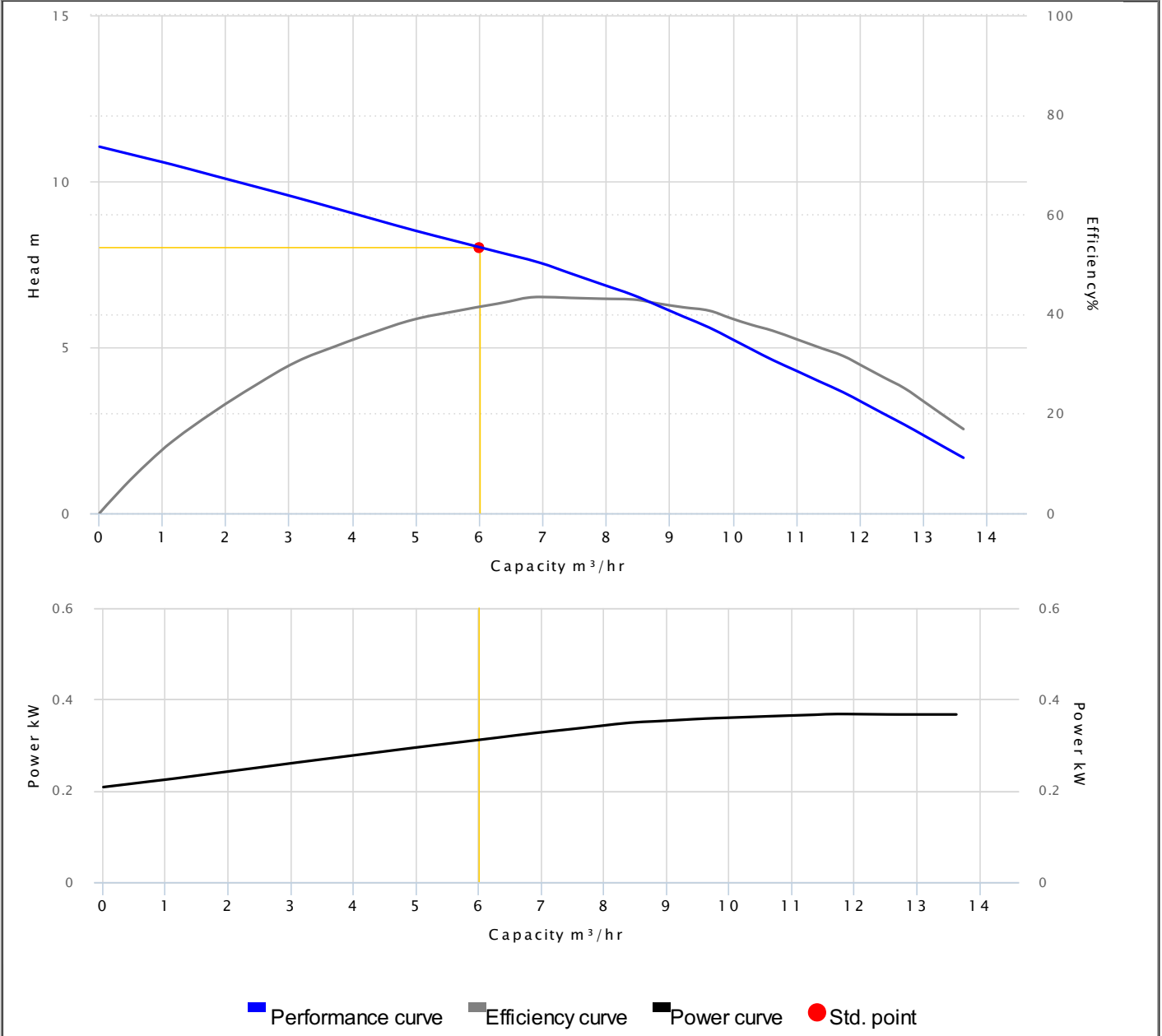


HCP PUMP

PUMP PERFORMANCE CURVES

Model	GD-400		
Frequency	50 Hz		
Discharge	2" / 50 mm		
Power	0.5 HP / 0.4 kW		
Std. Head	8 m		
Std. Capacity	6 m ³ /hr		
Phase/Volt	1 Ø / 220 V		
Rated Current	3.10 A		
rpm	2 P / 2780 rpm		
Start Method	CAPACITOR		
Insulation Class	B		
Solid Passage	7 mm	Output	0.31 kW

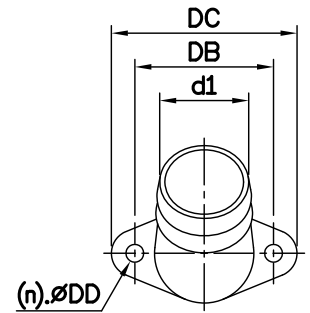
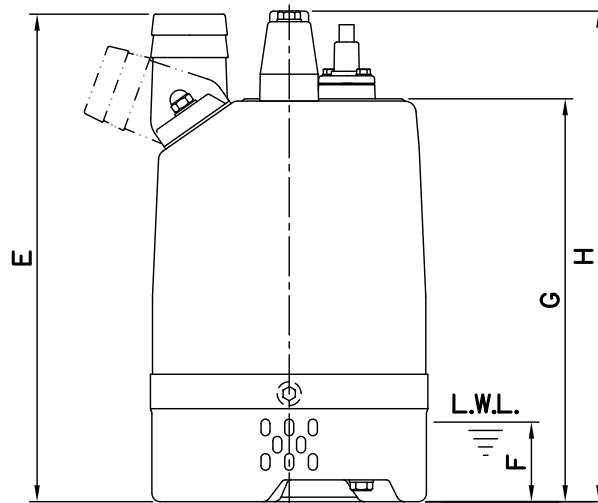
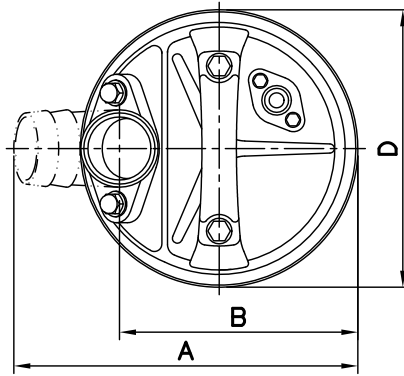


DIMENSIONS

NO: S2GD0208012-00

MODEL: GD-400 / 750

1Ø



Dimensions-mm

Weight:kg

Model	A	B	D	E	F	G	H	WT1	Outlet	d1	DB	DC	DD	(n)QTY
GD-400	230	159	185	303	50	247	305	10.5	LOH2-74	50	74	99	9	2
GD-750	230	159	185	325	50	269	327	12.6	LOH2-74	50	74	99	9	2

Dimensions-inch

Weight:lb

Model	A	B	D	E	F	G	H	WT1	Outlet	d1	DB	DC	DD	(n)QTY
GD-400	9 ¹ / ₁₆	6 ¹ / ₄	7 ⁵ / ₁₆	11 ¹⁵ / ₁₆	2	9 ³ / ₄	12	23	LOH2-74	2	2 ¹⁵ / ₁₆	3 ⁷ / ₈	3 ³ / ₈	2
GD-750	9 ¹ / ₁₆	6 ¹ / ₄	7 ⁵ / ₁₆	12 ³ / ₈	2	10 ¹⁵ / ₁₆	12 ⁷ / ₈	28	LOH2-74	2	2 ¹⁵ / ₁₆	3 ⁷ / ₈	3 ³ / ₈	2

L.W.L.:Lowest Running Water Level

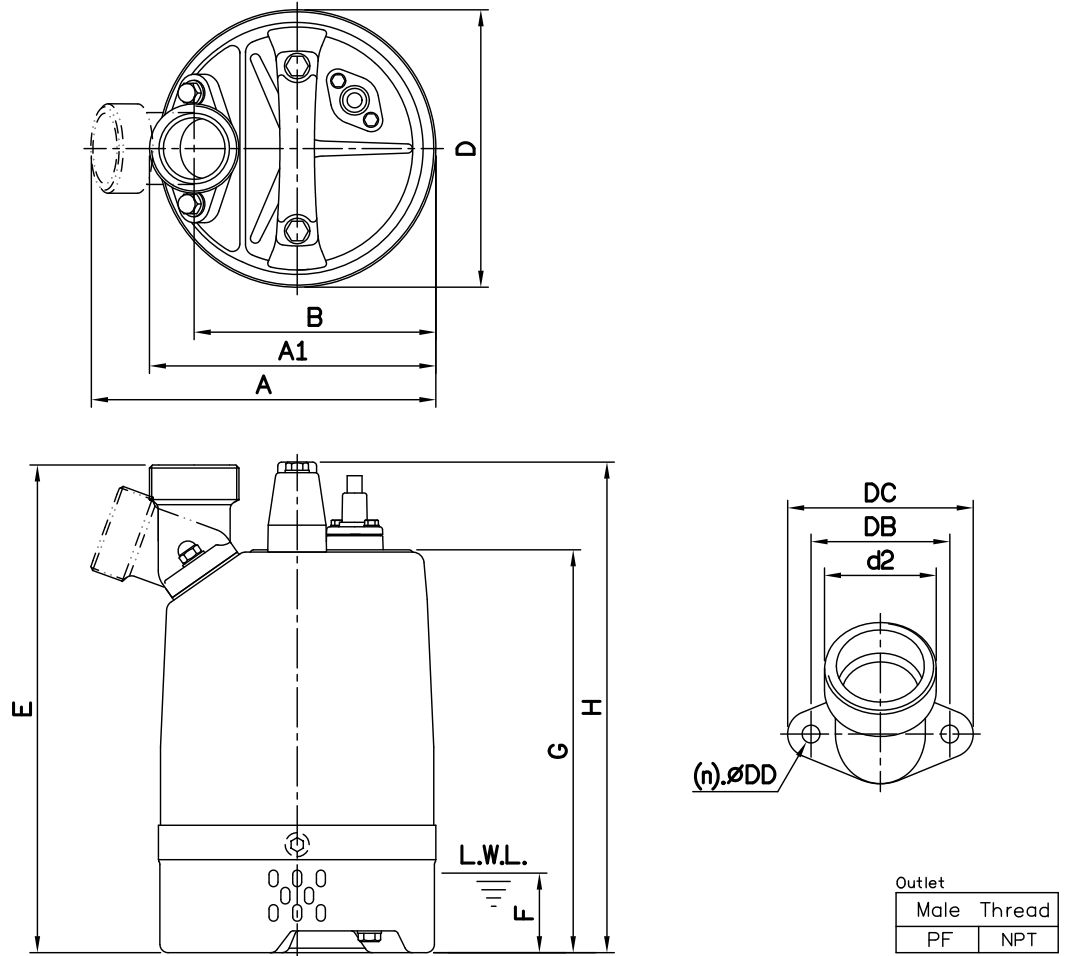
WT1:Pump Weight(Without Cable)

DIMENSIONS

NO: S2GD0208013-00

MODEL: GD-400 / 750

1Ø



Dimensions—mm

Weight:kg

Model	A	A1	B	D	E	F	G	H	WT1	Outlet	d2	DB	DC	DD	(n)QTY
GD-400	230	191	161	185	303	50	247	305	10.5	LOT2-74	50	74	99	9	2
GD-750	230	191	161	185	325	50	269	327	12.6	LOT2-74	50	74	99	9	2

Dimensions—inch

Weight:lb

Model	A	A1	B	D	E	F	G	H	WT1	Outlet	d2	DB	DC	DD	(n)QTY
GD-400	9 $\frac{1}{8}$	7 $\frac{1}{2}$	6 $\frac{5}{16}$	7 $\frac{5}{16}$	11 $\frac{15}{16}$	2	9 $\frac{3}{4}$	12	23	LOT2-74	2	2 $\frac{15}{16}$	3 $\frac{7}{8}$	$\frac{3}{8}$	2
GD-750	9 $\frac{1}{8}$	7 $\frac{1}{2}$	6 $\frac{5}{16}$	7 $\frac{5}{16}$	12 $\frac{3}{8}$	2	10 $\frac{1}{16}$	12 $\frac{7}{8}$	28	LOT2-74	2	2 $\frac{15}{16}$	3 $\frac{7}{8}$	$\frac{3}{8}$	2

L.W.L.:Lowest Running Water Level

WT1:Pump Weight(Without Cable)