

# **HCP PUMP**

<b>Model</b>	<b>80SFU23.7</b>
<b>Series</b>	<b>SF</b>
<b>Frequency</b>	<b>50</b>
<b>Phase</b>	<b>3</b>
<b>Discharge</b>	<b>80 mm (3")</b>



## **Motor Data**

Input Power—P1	4.6 kW
Rated Power—P2	3.7 kW
Insulation Class	F
Voltage Range	200~525V
Max. Starts Per Hour	10
Rated Speed (rpm)	2850
Start Method	DOL
Ingress Protection Code	DOL
Explosion-Proof	IP68

## **Technology**

Impeller Type	Vortex
Mechanical Seal	Double
Lubricating Oil VG32	1250 CC
Solid Passage	50 mm
Cooling Type	External cooling

## **Material**

Motor Frame	SUS316 (AISI 316)
Shaft	SUS316 (X5CrNiMo17-12-2)
Casing	SCS14 (G-X6CrNiMo1810)
Impeller	SCS14 (G-X6CrNiMo1810)
Mechanical Seal	CA/CE&SiC/SiC
Cable	VCT,H07RN-F
Upper and Lower Bearing	6304ZZ,6307ZZ

## **Liquid**

Maximum Ambient Temperature	0~40°C (32~104°F)
Maximum Installation Depth	20m (66ft)
Highest Liquid Temperature	40 °C (104°F)
Liquid Transported	Acid and alkali sewage

## **Others**

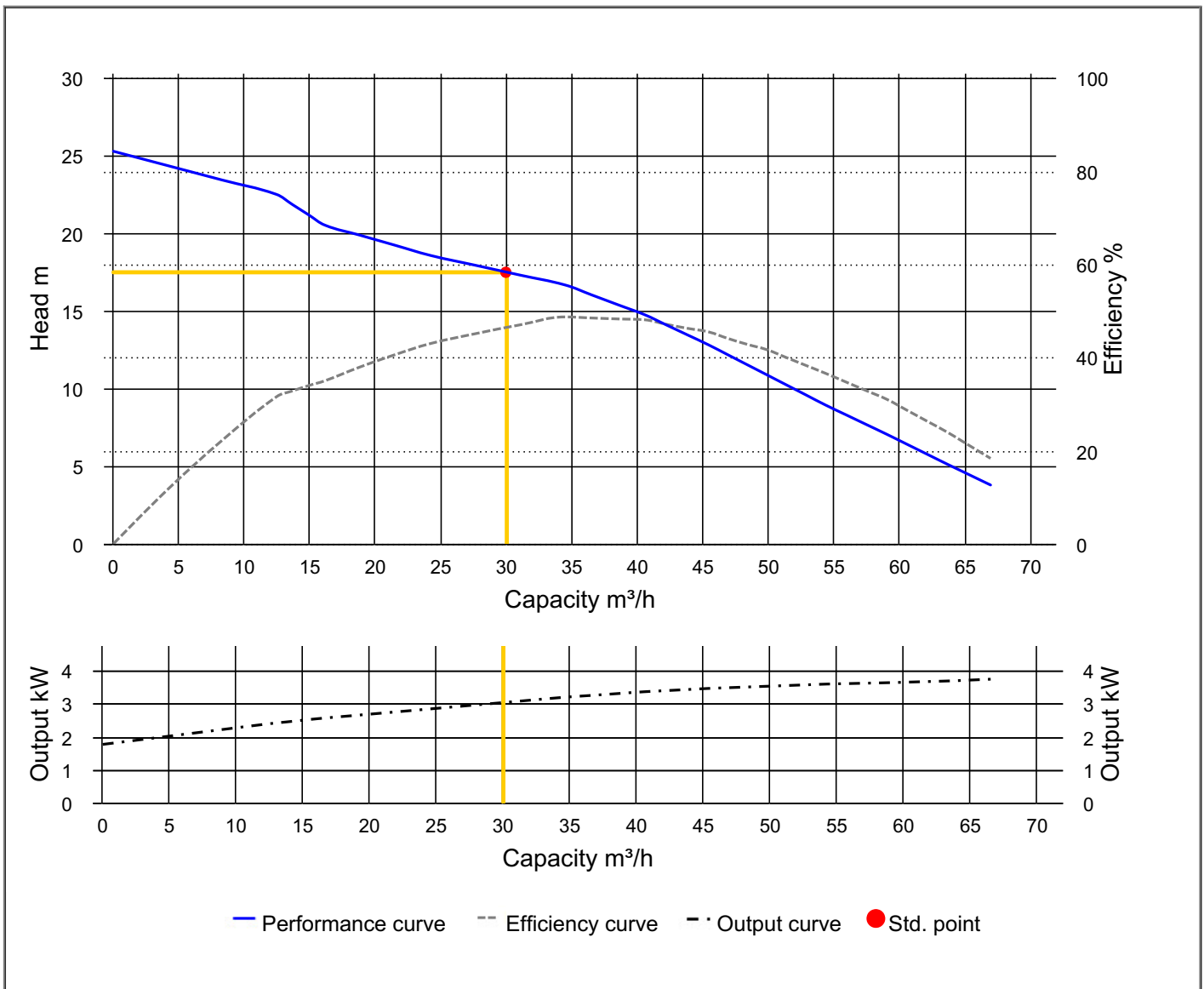
Protection Device	Auto-cut Protector
Moisture Sensor	



# HCP PUMP

## PUMP PERFORMANCE CURVES

<b>Model</b>	80SFU23.7	<b>File NO.</b>	20210210220718
<b>Frequency</b>	50 Hz	<b>Ver NO.</b>	202003060911
<b>Discharge</b>	3" / 80 mm	<b>REFERENCE SPECIFICATION</b>	
<b>Output</b>	5 HP / 3.7 kW	<b>Output</b>	3.04 kW
<b>Std. Head</b>	17.5 m	<b>Efficiency</b>	46.6 %
<b>Std. Capacity</b>	30 m <sup>3</sup> /h		
<b>Phase / Volt</b>	3 Ø / 380 V		
<b>Rated Current</b>	8.20 A		
<b>Pole / rpm</b>	2 P / 2850 rpm		
<b>Start Method</b>	DOL		
<b>Insulation Class</b>	F		

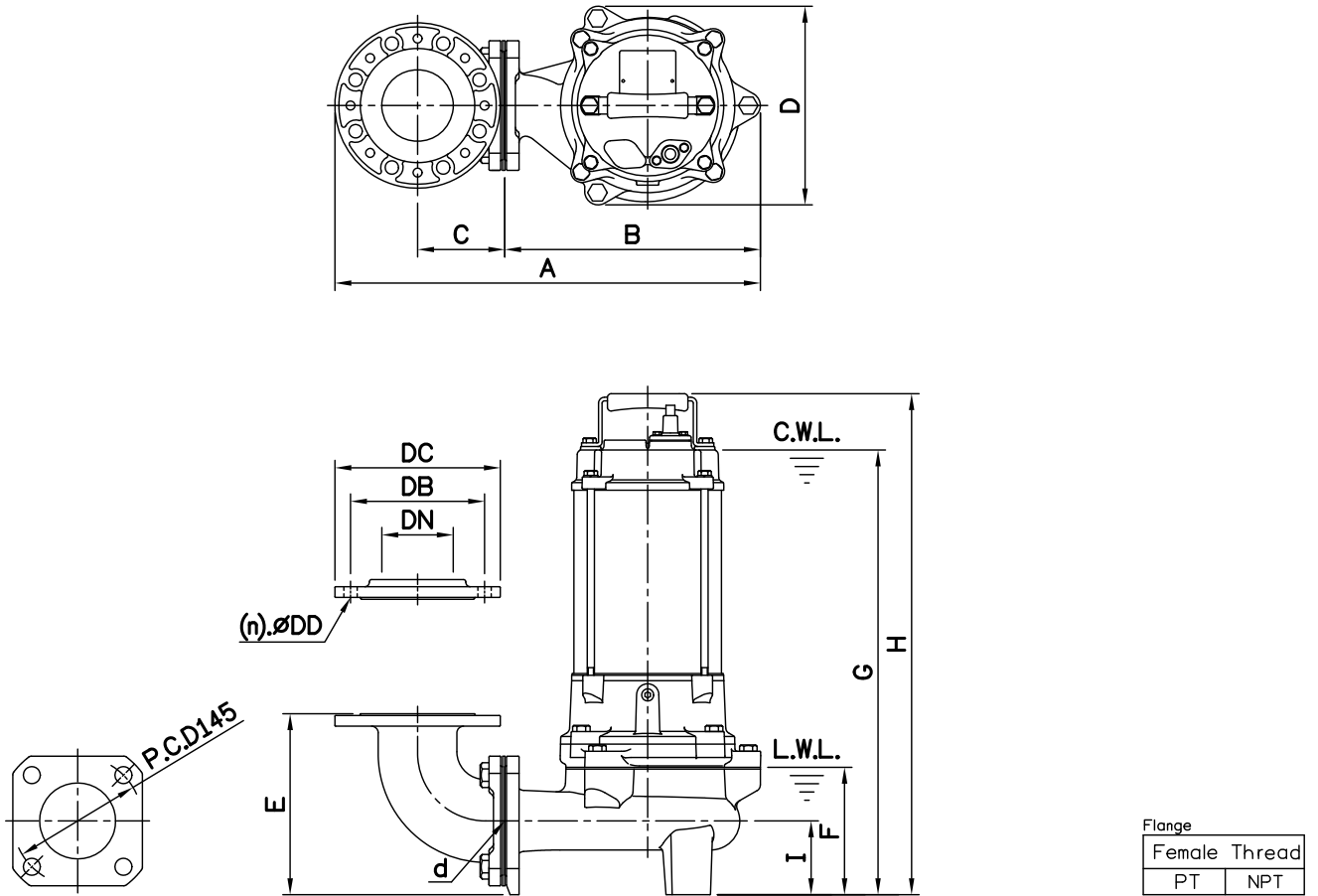


**DIMENSIONS**

**NO: S3SFU237032-00**

**MODEL: 80SFU23.7**

**3Ø**



Dimensions-mm

Weight:kg

Model	d	A	B	C	D	E	F	G	H	I	WT1	Elbow (Flange)Set	DN	DB	DC	DD	(n)QTY	WT2
80SFU23.7	80	476	286	98	222	203	143	498	561	83	40	ESB3-150K	80	150	185	15	8	7

Dimensions-inch

Weight:lb

Model	d	A	B	C	D	E	F	G	H	I	WT1	Elbow (Flange)Set	DN	DB	DC	DD	(n)QTY	WT2
80SFU23.7	3	18 <sup>3</sup> / <sub>4</sub>	11 <sup>1</sup> / <sub>4</sub>	3 <sup>7</sup> / <sub>8</sub>	8 <sup>3</sup> / <sub>4</sub>	8	5 <sup>5</sup> / <sub>8</sub>	19 <sup>3</sup> / <sub>8</sub>	22 <sup>1</sup> / <sub>8</sub>	3 <sup>3</sup> / <sub>4</sub>	88	ESB3-150K	3	5 <sup>7</sup> / <sub>8</sub>	7 <sup>3</sup> / <sub>8</sub>	3	8	16

C.W.L.:Continuous Running Water Level  
L.W.L.:Lowest Running Water Level

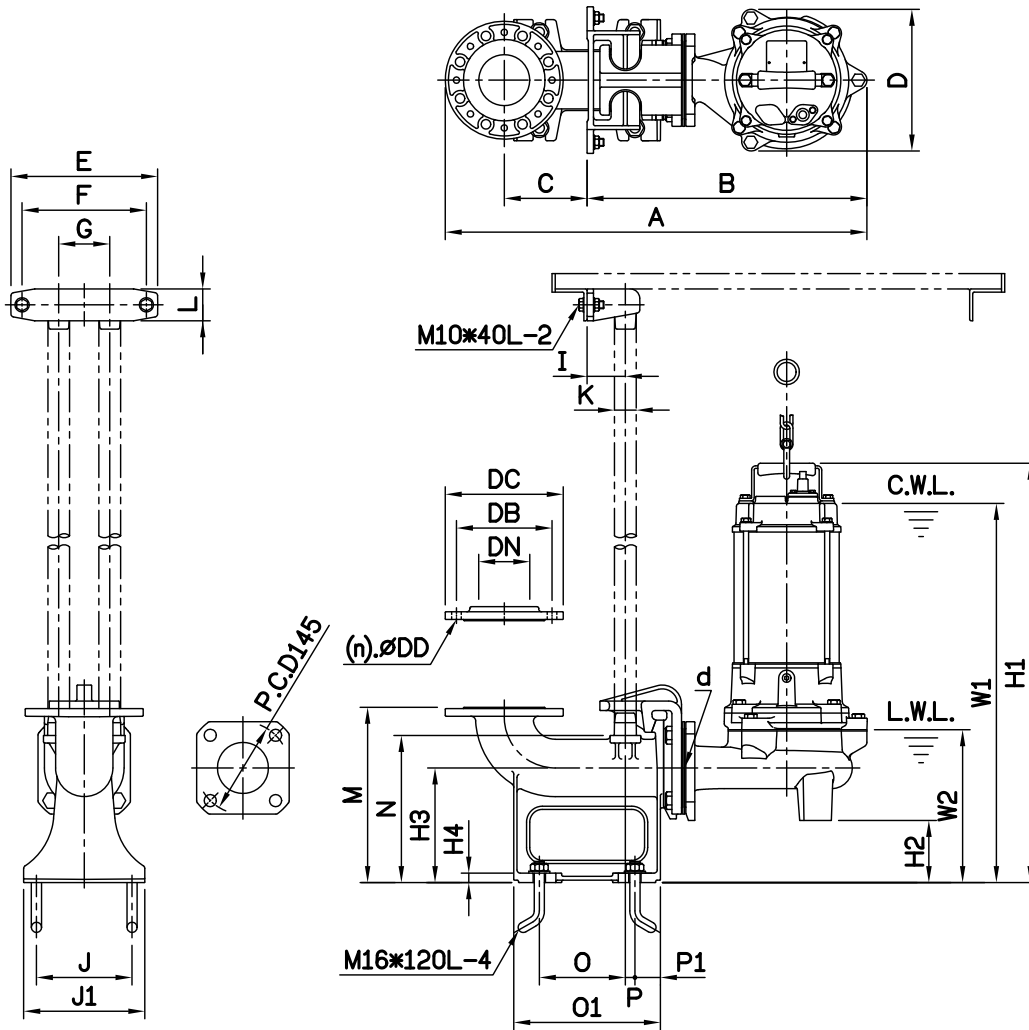
WT1:Pump Weight(Without Cable)  
WT2:Elbow Set Weight

## DIMENSIONS

NO: T3SFU237032-00

MODEL: 80SFU23.7

3Ø



Flange	
Female Thread	
PT	NPT

Dimensions-mm

Elbow (Flange)Set	DN	DB	DC	DD	(n)QTY
ESF3-150	80	150	185	15	8

Dimensions-inch

Elbow (Flange)Set	DN	DB	DC	DD	(n)QTY
ESF3-150	3	5 <sup>7</sup> / <sub>16</sub>	7 <sup>5</sup> / <sub>16</sub>	<sup>9</sup> / <sub>16</sub>	8

Dimensions-mm

Model	d	A	B	C	D	E	F	G	I	J	J1	K	L	M	N	O	O1	P	P1	W1	W2	H1	H2	H3	H4	WT1	GRS Set	WT2
80SFU23.7	80	662	439	130	222	230	195	80	60	150	190	1 <sup>1</sup> / <sub>4</sub>	50	275	231	135	230	15	40	595	240	658	98	180	15	40	ST80D	22

Weight:kg

Dimensions-inch

Model	d	A	B	C	D	E	F	G	I	J	J1	K	L	M	N	O	O1	P	P1	W1	W2	H1	H2	H3	H4	WT1	GRS Set	WT2
80SFU23.7	3	26 <sup>1</sup> / <sub>16</sub>	17 <sup>3</sup> / <sub>16</sub>	5 <sup>1</sup> / <sub>16</sub>	8 <sup>3</sup> / <sub>16</sub>	9 <sup>1</sup> / <sub>16</sub>	7 <sup>1</sup> / <sub>16</sub>	3 <sup>1</sup> / <sub>16</sub>	2 <sup>3</sup> / <sub>16</sub>	5 <sup>3</sup> / <sub>16</sub>	7 <sup>1</sup> / <sub>2</sub>	1 <sup>1</sup> / <sub>4</sub>	2	10 <sup>1</sup> / <sub>16</sub>	9 <sup>1</sup> / <sub>16</sub>	5 <sup>3</sup> / <sub>16</sub>	9 <sup>1</sup> / <sub>16</sub>	<sup>9</sup> / <sub>16</sub>	1 <sup>1</sup> / <sub>16</sub>	23 <sup>3</sup> / <sub>16</sub>	9 <sup>1</sup> / <sub>16</sub>	25 <sup>7</sup> / <sub>16</sub>	3 <sup>7</sup> / <sub>16</sub>	7 <sup>1</sup> / <sub>16</sub>	<sup>9</sup> / <sub>16</sub>	88	ST80D	49

Weight:lb

C.W.L.:Continuous Running Water Level  
L.W.L.:Lowest Running Water Level

WT1:Pump Weight(Without Cable)  
WT2:GRS Set Weight

