

<b>Model</b>	<b>80SFU211</b>
<b>Series</b>	<b>SF</b>
<b>Frequency</b>	<b>50</b>
<b>Phase</b>	<b>3</b>
<b>Discharge</b>	<b>80 mm (3")</b>



**Motor Data**

Input Power—P1	12.8 kW
Rated Power—P2	11 kW
Insulation Class	H
Voltage Range	200~525V
Max. Starts Per Hour	5
Rated Speed (rpm)	2900
Start Method	STAR-DELTA / DOL
Ingress Protection Code	STAR-DELTA/DOL
Explosion-Proof	IP68

**Technology**

Impeller Type	Vortex
Mechanical Seal	Double
Lubricating Oil VG32	2000 CC
Solid Passage	50 mm
Cooling Type	External cooling

**Material**

Motor Frame	SUS316 (AISI 316)
Shaft	SUS630 (X5CrNiCuNb17-4)
Casing	SCS14 (G-X6CrNiMo1810)
Impeller	SCS14 (G-X6CrNiMo1810)
Mechanical Seal	CA/CE&SiC/SiC
Cable	VCT,H07RN-F
Upper and Lower Bearing	6306ZZ,6309ZZ

**Liquid**

Maximum Ambient Temperature	0~40°C (32~104°F)
Maximum Installation Depth	20m (66ft)
Highest Liquid Temperature	40 °C (104°F)
Liquid Transported	Acid and alkali sewage

**Others**

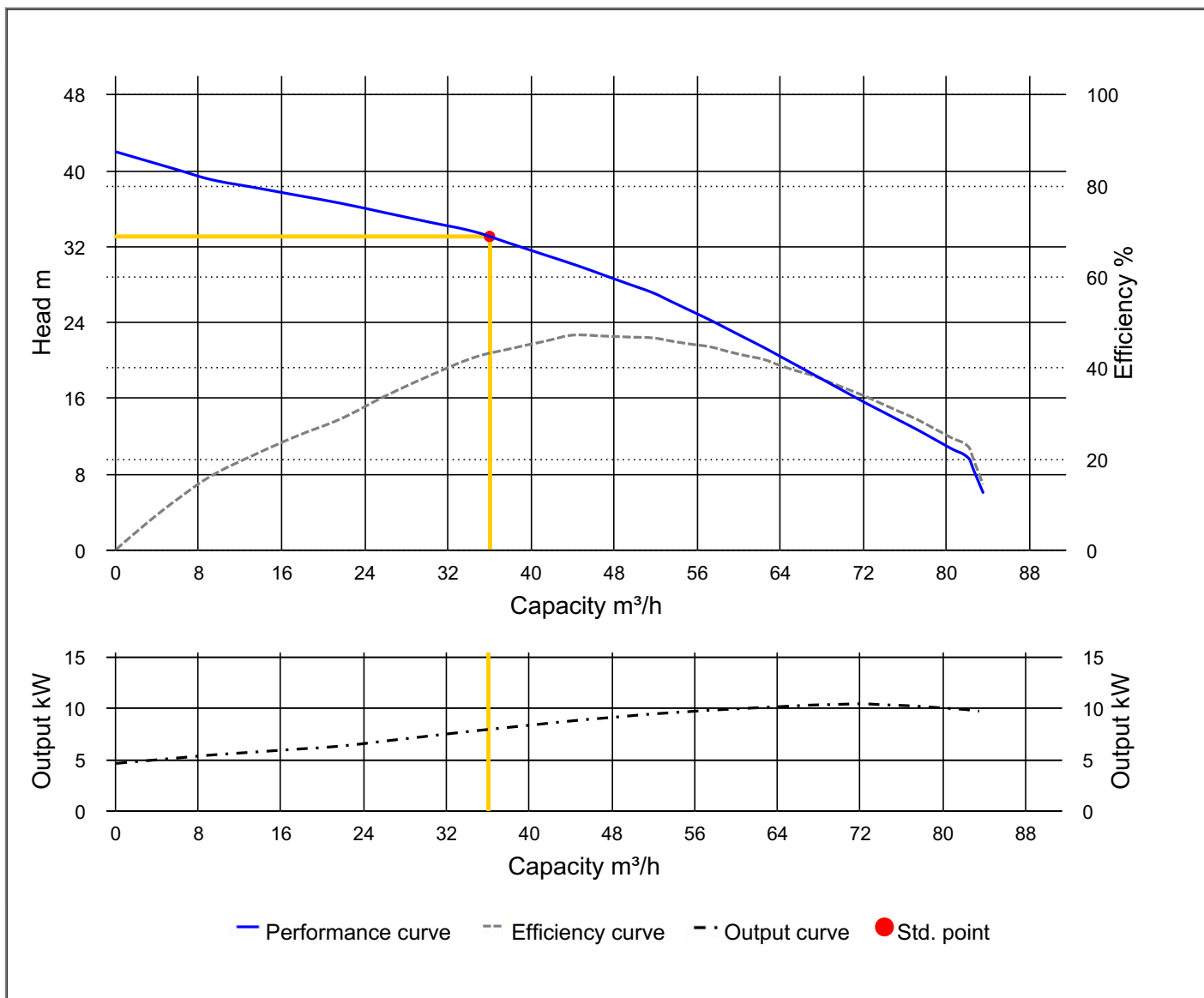
Protection Device	Motor Thermal Sensor
Moisture Sensor	Moisture Sensor



# HCP PUMP

## PUMP PERFORMANCE CURVES

Model	80SFU211	File NO.	20210210220957
Frequency	50 Hz	Ver NO.	202003060911
Discharge	3" / 80 mm	<b>REFERENCE SPECIFICATION</b>	
Output	15 HP / 11 kW	Output	7.88 kW
Std. Head	33 m	Efficiency	43 %
Std. Capacity	36 m <sup>3</sup> /h		
Phase / Volt	3 Ø / 380 V		
Rated Current	22.20 A		
Pole / rpm	2 P / 2900 rpm		
Start Method	STAR-DELTA / DOL		
Insulation Class	H		

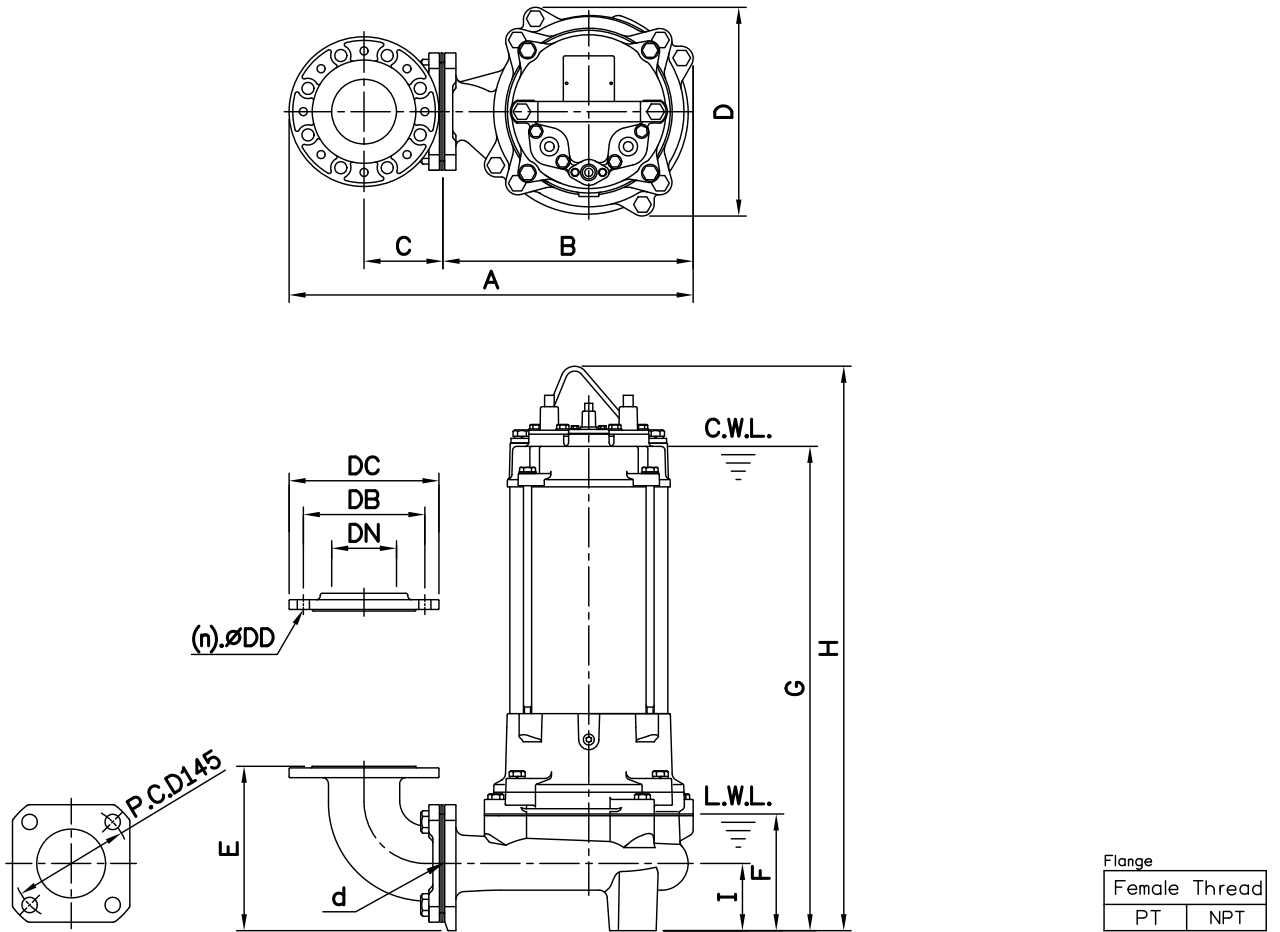


**DIMENSIONS**

**NO: S3SFU2A1030-00**

**MODEL: 80SFU211**

**50Hz 3Ø**



Dimensions—mm

Weight:kg

Model	d	A	B	C	D	E	F	G	H	I	WT1	Elbow (Flange)Set	DN	DB	DC	DD	(n)QTY	WT2
80SFU211	80	499	309	98	258	203	144	598	697	83	76	ESB3-150K	80	150	185	15	8	7

Dimensions—inch

Weight:lb

Model	d	A	B	C	D	E	F	G	H	I	WT1	Elbow (Flange)Set	DN	DB	DC	DD	(n)QTY	WT2
80SFU211	3	19 <sup>9</sup> / <sub>16</sub>	12 <sup>3</sup> / <sub>16</sub>	3 <sup>7</sup> / <sub>16</sub>	10 <sup>3</sup> / <sub>16</sub>	8	5 <sup>7</sup> / <sub>16</sub>	23 <sup>3</sup> / <sub>16</sub>	27 <sup>1</sup> / <sub>16</sub>	3 <sup>3</sup> / <sub>4</sub>	168	ESB3-150K	3	5 <sup>9</sup> / <sub>16</sub>	7 <sup>3</sup> / <sub>16</sub>	<sup>3</sup> / <sub>16</sub>	8	16

C.W.L.:Continuous Running Water Level  
L.W.L.:Lowest Running Water Level

WT1:Pump Weight(Without Cable)  
WT2:Elbow Set Weight



