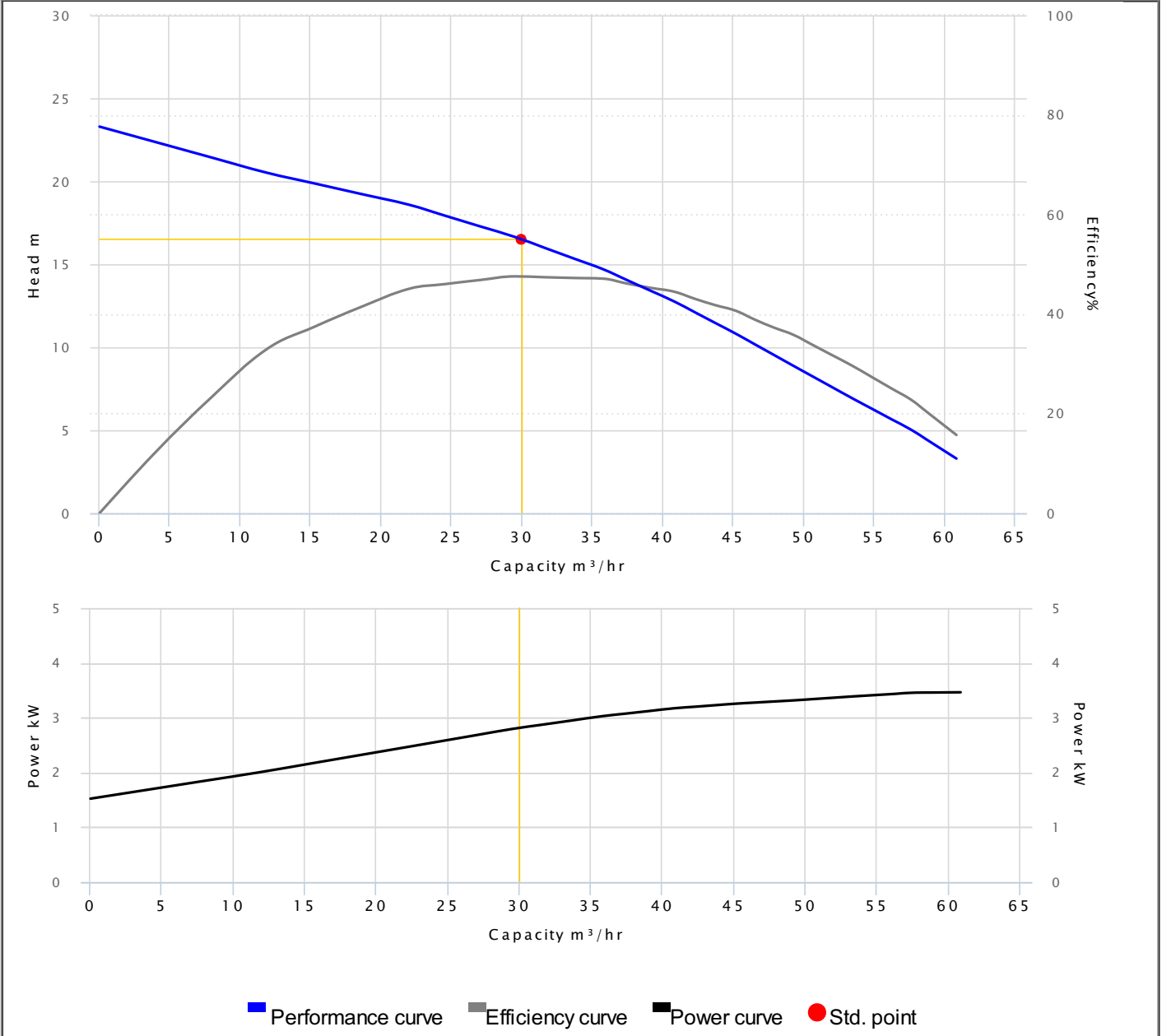


HCP PUMP

PUMP PERFORMANCE CURVES

Model	FN-35U		
Frequency	50 Hz		
Discharge	3" / 80 mm		
Power	5 HP / 3.7 kW		
Std. Head	16.5 m		
Std. Capacity	30 m ³ /hr		
Phase/Volt	3 Ø / 380 V		
Rated Current	8.30 A		
rpm	2 P / 2830 rpm		
Start Method	DIRECT		
Insulation Class	F	Efficiency	47.5 %
Solid Passage	50 mm	Output	2.81 kW

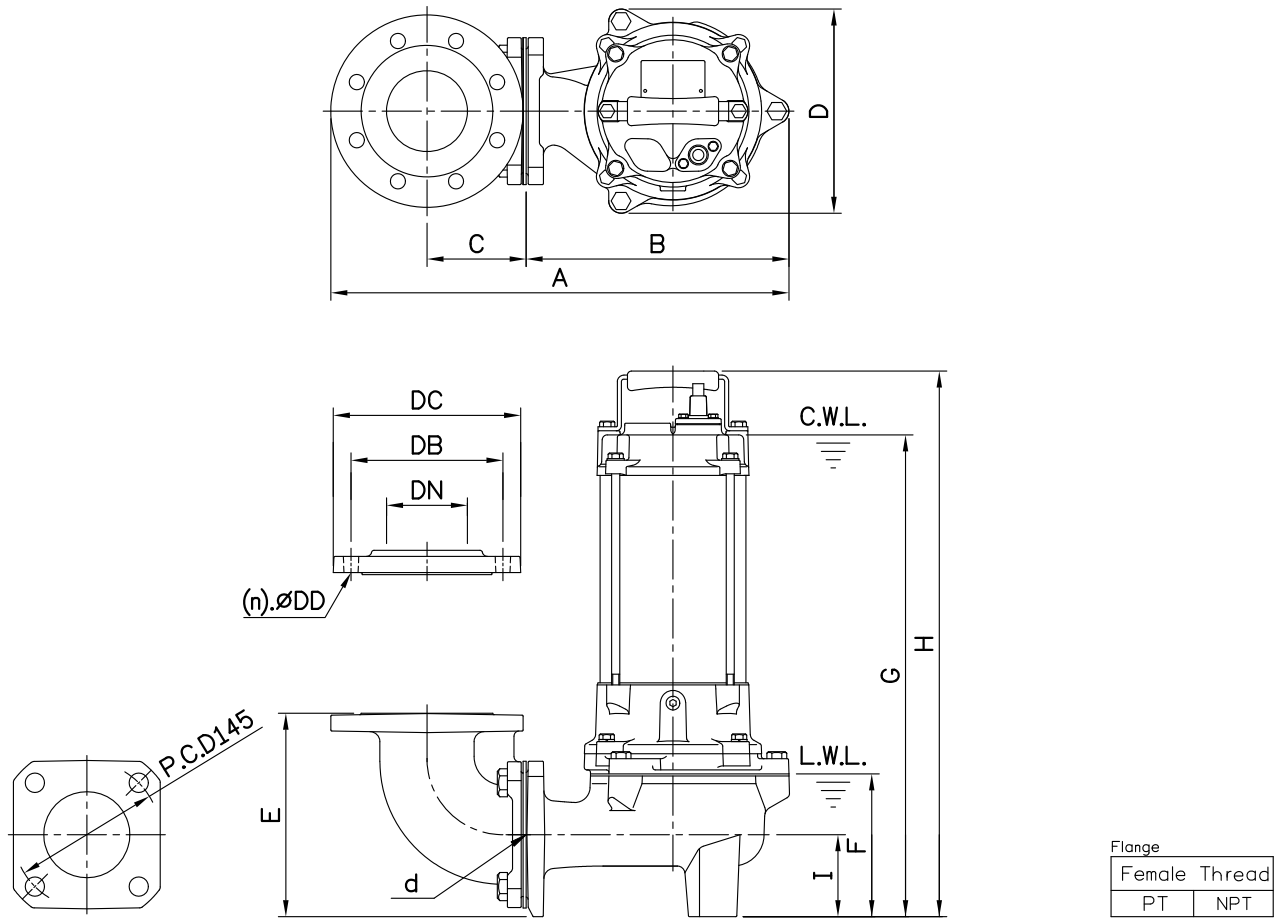


DIMENSIONS

NO: S3FNU237032-00

MODEL: FN-35U / 35UL

3Ø



Dimensions-mm

Weight:kg

Model	d	A	B	C	D	E	F	G	H	I	WT1	Elbow (Flange)Set	DN	DB	DC	DD	(n)QTY	WT2
FN-35U	80	453	260	98	202	201	140	476	539	81	35	EB3-150A	80	150	185	15	8	12
FN-35UL	80	409	267	142	202	215	193	258	591	120	35	EB3-130	80	130	155	12	2	5

Dimensions-inch

Weight:lb

Model	d	A	B	C	D	E	F	G	H	I	WT1	Elbow (Flange)Set	DN	DB	DC	DD	(n)QTY	WT2
FN-35U	3	17 ³ / ₈	10 ¹ / ₄	3 ⁷ / ₈	7 ¹⁵ / ₁₆	7 ⁷ / ₈	5 ¹ / ₂	18 ³ / ₄	21 ¹ / ₄	3 ³ / ₈	77	EB3-150A	3	5 ⁷ / ₈	7 ⁵ / ₁₆	9/ ₁₆	8	26
FN-35UL	3	16 ³ / ₈	10 ¹ / ₂	5 ⁵ / ₁₆	7 ¹⁵ / ₁₆	8 ⁷ / ₁₆	7 ⁷ / ₈	10 ³ / ₁₆	23 ¹ / ₄	4 ³ / ₄	77	EB3-130	3	5 ¹ / ₈	6 ¹ / ₈	1/ ₂	2	11

C.W.L.:Continuous Running Water Level
L.W.L.:Lowest Running Water Level

WT1:Pump Weight(Without Cable)
WT2:Elbow Set Weight

