
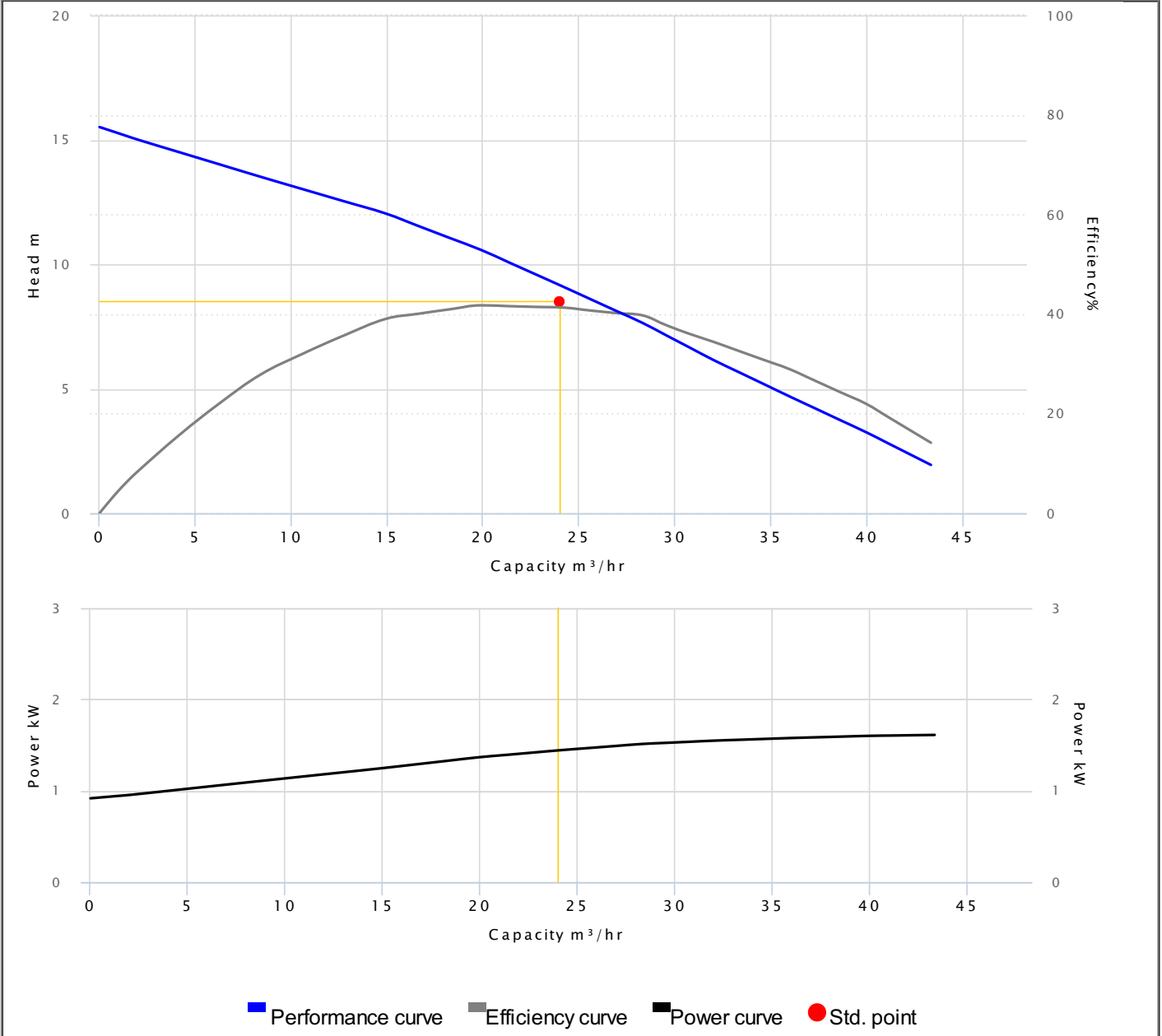


HCP PUMP

PUMP PERFORMANCE CURVES

Model	FN-32U		
Frequency	50 Hz		
Discharge	3" / 80 mm		
Power	2 HP / 1.5 kW		
Std. Head	8.5 m		
Std. Capacity	24 m ³ /hr		
Phase/Volt	1 Ø / 220 V		
Rated Current	10.20 A		
rpm	2 P / 2820 rpm		
Start Method	CAPACITOR		
Insulation Class	F		
Solid Passage	50 mm	Output	1.45 kW

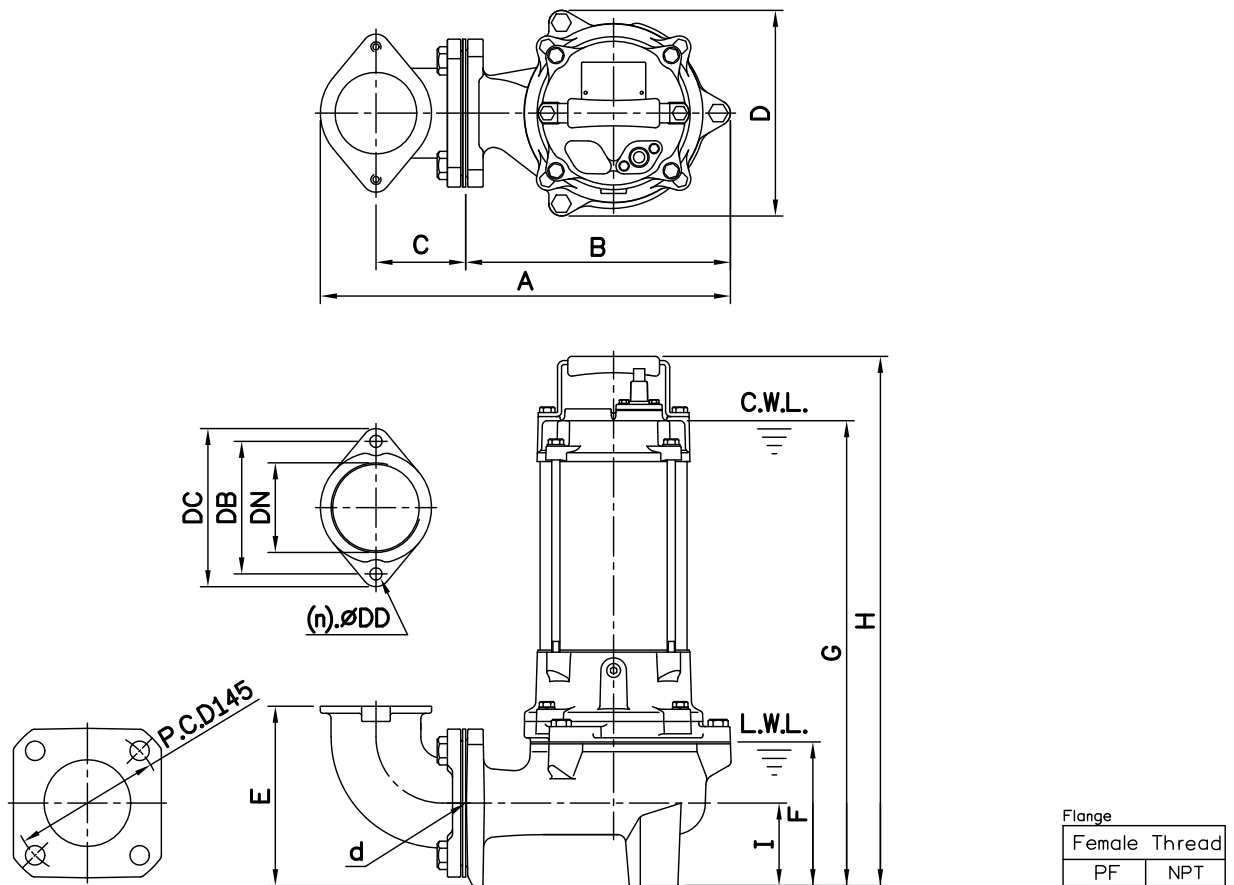


DIMENSIONS

NO: S3FNU222032-00

MODEL: FN-32U / 33U / 32UL / 33UL

1Ø / 3Ø



Dimensions—mm

Weight:kg

Model	d	A	B	C	D	E	F	G	H	I	WT1	Elbow (Flange)Set	DN	DB	DC	DD	(n)QTY	WT2
FN-32U 1Ø	80	402	260	88	202	176	140	525	588	81	32	EB3-130	80	130	155	12	2	5
FN-33U 1Ø	80	402	260	88	202	176	140	537	600	81	35	EB3-130	80	130	155	12	2	5
FN-32UL 1Ø	80	407	265	88	221	215	193	577	640	120	35	EB3-130	80	130	155	12	2	5
FN-33UL 1Ø	80	407	265	88	221	215	193	589	652	120	37	EB3-130	80	130	155	12	2	5
FN-32U 3Ø	80	402	260	88	202	176	141	456	519	81	28	EB3-130	80	130	155	12	2	5
FN-33U 3Ø	80	402	260	88	202	176	141	456	519	81	30	EB3-130	80	130	155	12	2	5
FN-32UL 3Ø	80	407	265	88	221	215	193	508	571	120	34	EB3-130	80	130	155	12	2	5
FN-33UL 3Ø	80	407	265	88	221	215	193	508	571	120	36	EB3-130	80	130	155	12	2	5

Dimensions—inch

Weight:lb

Model	d	A	B	C	D	E	F	G	H	I	WT1	Elbow (Flange)Set	DN	DB	DC	DD	(n)QTY	WT2
FN-32U 1Ø	3	15 ¹⁵ / ₁₆	10 ¹ / ₄	3 ¹ / ₁₆	7 ¹⁵ / ₁₆	6 ¹⁵ / ₁₆	5 ¹ / ₂	22 ¹ / ₁₆	23 ³ / ₈	3 ³ / ₁₆	71	EB3-130	3	5 ¹ / ₈	6 ¹ / ₈	1/2	2	11
FN-33U 1Ø	3	15 ¹⁵ / ₁₆	10 ¹ / ₄	3 ¹ / ₁₆	7 ¹⁵ / ₁₆	6 ¹⁵ / ₁₆	5 ¹ / ₂	21 ¹ / ₈	23 ³ / ₈	3 ³ / ₁₆	77	EB3-130	3	5 ¹ / ₈	6 ¹ / ₈	1/2	2	11
FN-32UL 1Ø	3	16	10 ¹ / ₁₆	3 ⁷ / ₁₆	8 ¹¹ / ₁₆	8 ⁷ / ₁₆	7 ⁷ / ₈	22 ¹ / ₁₆	25 ³ / ₁₆	4 ³ / ₄	77	EB3-130	3	5 ¹ / ₈	6 ¹ / ₈	1/2	2	11
FN-33UL 1Ø	3	16	10 ¹ / ₁₆	3 ⁷ / ₁₆	8 ¹¹ / ₁₆	8 ⁷ / ₁₆	7 ⁷ / ₈	23 ³ / ₁₆	25 ³ / ₁₆	4 ³ / ₄	82	EB3-130	3	5 ¹ / ₈	6 ¹ / ₈	1/2	2	11
FN-32U 3Ø	3	15 ¹⁵ / ₁₆	10 ¹ / ₄	3 ¹ / ₁₆	7 ¹⁵ / ₁₆	6 ¹⁵ / ₁₆	5 ¹ / ₂	17 ¹ / ₈	20 ¹ / ₁₆	3 ³ / ₁₆	62	EB3-130	3	5 ¹ / ₈	6 ¹ / ₈	1/2	2	11
FN-33U 3Ø	3	15 ¹⁵ / ₁₆	10 ¹ / ₄	3 ¹ / ₁₆	7 ¹⁵ / ₁₆	6 ¹⁵ / ₁₆	5 ¹ / ₂	17 ¹ / ₈	20 ¹ / ₁₆	3 ³ / ₁₆	66	EB3-130	3	5 ¹ / ₈	6 ¹ / ₈	1/2	2	11
FN-32UL 3Ø	3	16	10 ¹ / ₁₆	3 ¹ / ₁₆	8 ¹¹ / ₁₆	8 ⁷ / ₁₆	7 ⁷ / ₈	20	22 ¹ / ₂	4 ³ / ₄	75	EB3-130	3	5 ¹ / ₈	6 ¹ / ₈	1/2	2	11
FN-33UL 3Ø	3	16	10 ¹ / ₁₆	3 ¹ / ₁₆	8 ¹¹ / ₁₆	8 ⁷ / ₁₆	7 ⁷ / ₈	20	22 ¹ / ₂	4 ³ / ₄	79	EB3-130	3	5 ¹ / ₈	6 ¹ / ₈	1/2	2	11

C.W.L.:Continuous Running Water Level
L.W.L.:Lowest Running Water Level

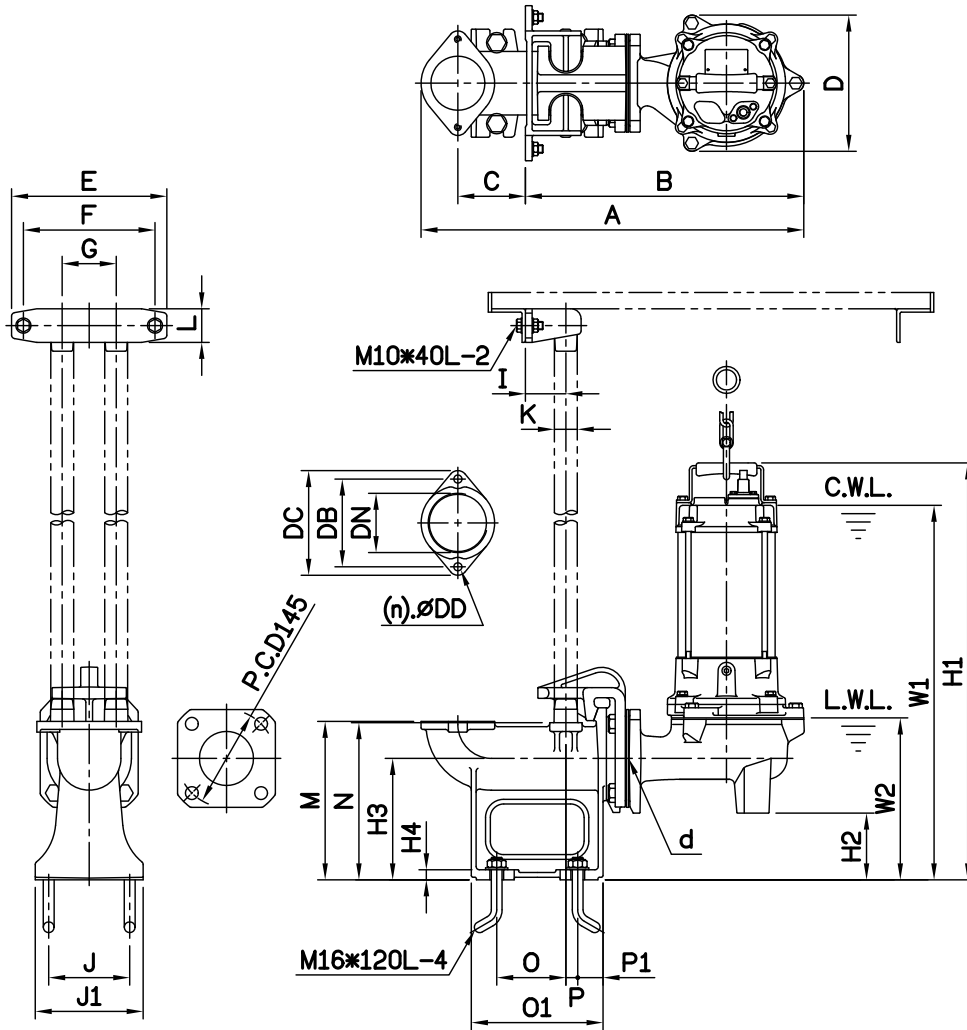
WT1:Pump Weight(Without Cable)
WT2:Elbow Set Weight

DIMENSIONS

NO: T3FNU222032-00

MODEL: FN-32U / 33U / 32UL / 33UL

1Ø / 3Ø



Flange	
Female Thread	
PF	NPT

Dimensions-mm

Elbow (Flange)Set	DN	DB	DC	DD	(n)QTY
EF3-130	80	130	155	12	2

Dimensions-inch

Elbow (Flange)Set	DN	DB	DC	DD	(n)QTY
EF3-130	3	5 1/8	6 1/8	1/2	2

Dimensions-mm

Weight:kg

Model	d	A	B	C	D	E	F	G	I	J	J1	K	L	M	N	O	O1	P	P1	W1	W2	H1	H2	H3	H4	WT1	GRS Set	WT2
FN-32U 1Ø	80	568	413	100	202	230	195	80	60	120	160	1 1/4	50	235	233	103	195	18	38	624	240	685	99	180	15	32	T2-80	20
FN-33U 1Ø	80	568	413	100	202	230	195	80	60	120	160	1 1/4	50	235	233	103	195	18	38	636	240	697	99	180	15	35	T2-80	20
FN-32UL 1Ø	80	574	420	100	202	230	195	80	60	120	160	1 1/4	50	235	233	103	195	18	38	637	253	700	60	180	15	38	T2-80	20
FN-33UL 1Ø	80	574	420	100	202	230	195	80	60	120	160	1 1/4	50	235	233	103	195	18	38	637	253	700	60	180	15	40	T2-80	20
FN-32U 3Ø	80	568	413	100	202	230	195	80	60	120	160	1 1/4	50	235	233	103	195	18	38	555	240	618	99	180	15	28	T2-80	20
FN-33U 3Ø	80	568	413	100	202	230	195	80	60	120	160	1 1/4	50	235	233	103	195	18	38	555	240	618	99	180	15	30	T2-80	20
FN-32UL 3Ø	80	574	420	100	202	230	195	80	60	120	160	1 1/4	50	235	233	103	195	18	38	568	253	631	60	180	15	34	T2-80	20
FN-33UL 3Ø	80	574	420	100	202	230	195	80	60	120	160	1 1/4	50	235	233	103	195	18	38	568	253	631	60	180	15	36	T2-80	20

Dimensions-inch

Weight:lb

Model	d	A	B	C	D	E	F	G	I	J	J1	K	L	M	N	O	O1	P	P1	W1	W2	H1	H2	H3	H4	WT1	GRS Set	WT2
FN-32U 1Ø	3	22 3/8	16 1/4	3 5/8	7 7/8	9 1/8	7 1/8	3 1/8	2 3/8	4 3/4	6 5/8	1 1/4	2	9 1/4	9 3/8	4 1/8	7 1/8	1 1/2	1 1/2	24 3/8	9 1/8	27	3 3/8	7 1/8	5/8	71	T2-80	43
FN-33U 1Ø	3	22 3/8	16 1/4	3 5/8	7 7/8	9 1/8	7 1/8	3 1/8	2 3/8	4 3/4	6 5/8	1 1/4	2	9 1/4	9 3/8	4 1/8	7 1/8	1 1/2	1 1/2	25 1/8	9 1/8	27 1/8	3 3/8	7 1/8	5/8	77	T2-80	43
FN-32UL 1Ø	3	22 3/8	16 3/8	3 5/8	7 7/8	9 1/8	7 1/8	3 1/8	2 3/8	4 3/4	6 5/8	1 1/4	2	9 1/4	9 3/8	4 1/8	7 1/8	1 1/2	1 1/2	25 1/8	9 1/8	27 1/8	2 3/8	7 1/8	5/8	84	T2-80	43
FN-33UL 1Ø	3	22 3/8	16 3/8	3 5/8	7 7/8	9 1/8	7 1/8	3 1/8	2 3/8	4 3/4	6 5/8	1 1/4	2	9 1/4	9 3/8	4 1/8	7 1/8	1 1/2	1 1/2	25 1/8	9 1/8	27 1/8	2 3/8	7 1/8	5/8	88	T2-80	43
FN-32U 3Ø	3	22 3/8	16 1/4	3 5/8	7 7/8	9 1/8	7 1/8	3 1/8	2 3/8	4 3/4	6 5/8	1 1/4	2	9 1/4	9 3/8	4 1/8	7 1/8	1 1/2	1 1/2	21 1/8	9 1/8	24 3/8	3 3/8	7 1/8	5/8	66	T2-80	43
FN-33U 3Ø	3	22 3/8	16 1/4	3 5/8	7 7/8	9 1/8	7 1/8	3 1/8	2 3/8	4 3/4	6 5/8	1 1/4	2	9 1/4	9 3/8	4 1/8	7 1/8	1 1/2	1 1/2	21 1/8	9 1/8	24 3/8	3 3/8	7 1/8	5/8	66	T2-80	43
FN-32UL 3Ø	3	22 3/8	16 3/8	3 5/8	7 7/8	9 1/8	7 1/8	3 1/8	2 3/8	4 3/4	6 5/8	1 1/4	2	9 1/4	9 3/8	4 1/8	7 1/8	1 1/2	1 1/2	22 3/8	9 1/8	24 3/8	2 3/8	7 1/8	5/8	75	T2-80	43
FN-33UL 3Ø	3	22 3/8	16 3/8	3 5/8	7 7/8	9 1/8	7 1/8	3 1/8	2 3/8	4 3/4	6 5/8	1 1/4	2	9 1/4	9 3/8	4 1/8	7 1/8	1 1/2	1 1/2	22 3/8	9 1/8	24 3/8	2 3/8	7 1/8	5/8	79	T2-80	43

C.W.L.:Continuous Running Water Level
L.W.L.:Lowest Running Water Level

WT1:Pump Weight(Without Cable)
WT2:GRS Set Weight