
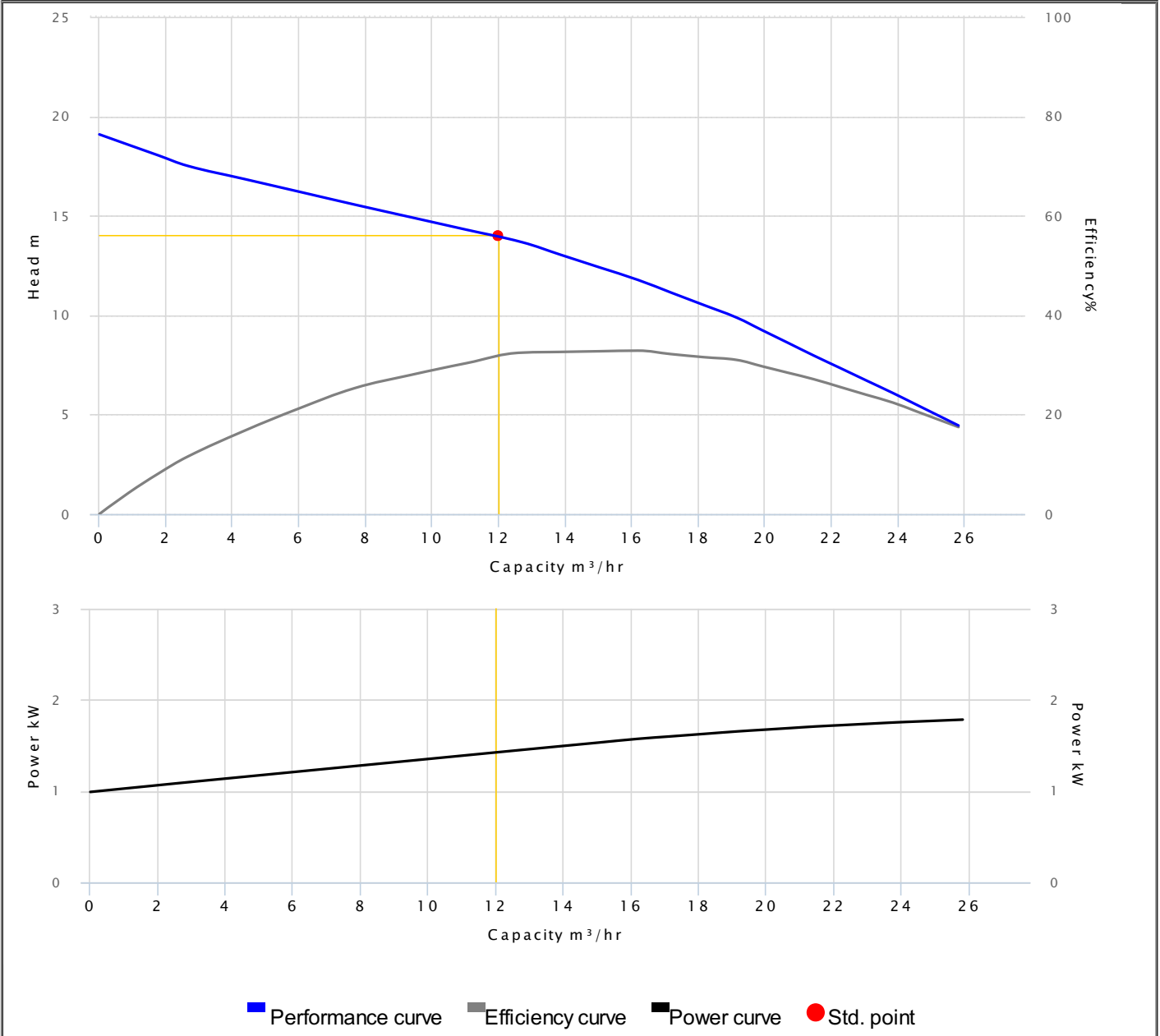


## PUMP PERFORMANCE CURVES

<b>Model</b>	FN-22U		
<b>Frequency</b>	50 Hz		
<b>Discharge</b>	2" / 50 mm		
<b>Power</b>	2 HP / 1.5 kW		
<b>Std. Head</b>	14 m		
<b>Std. Capacity</b>	12 m <sup>3</sup> /hr		
<b>Phase/Volt</b>	1 Ø / 220 V		
<b>Rated Current</b>	10.20 A		
<b>rpm</b>	2 P / 2820 rpm		
<b>Start Method</b>	CAPACITOR		
<b>Insulation Class</b>	F		
<b>Solid Passage</b>	35 mm	<b>Output</b>	1.43 kW

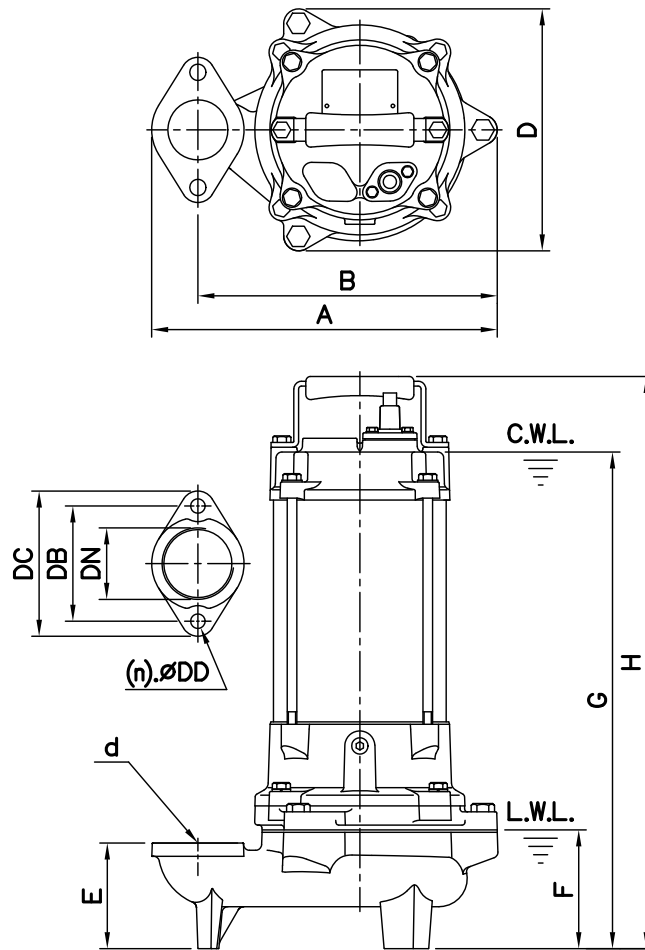


## DIMENSIONS

NO: S2FNU215032-00

MODEL: FN-22U

1Ø / 3Ø



Flange	
Female Thread	
PF	NPT

Dimensions-mm

Weight:kg

Model	d	A	B	D	E	F	G	H	WT1	Elbow (Flange)Set	DN	DB	DC	DD	(n)QTY	WT2
FN-22U 1Ø	50	288	250	202	88	100	483	546	30	EF2-96	50	96	121	12	2	1
FN-22U 3Ø	50	288	250	202	88	100	415	477	25	EF2-96	50	96	121	12	2	1

Dimensions-inch

Weight:lb

Model	d	A	B	D	E	F	G	H	WT1	Elbow (Flange)Set	DN	DB	DC	DD	(n)QTY	WT2
FN-22U 1Ø	2	11 <sup>5</sup> / <sub>16</sub>	9 <sup>3</sup> / <sub>16</sub>	7 <sup>15</sup> / <sub>16</sub>	3 <sup>7</sup> / <sub>16</sub>	3 <sup>15</sup> / <sub>16</sub>	19	21 <sup>1</sup> / <sub>2</sub>	66	EF2-96	2	3 <sup>3</sup> / <sub>4</sub>	4 <sup>3</sup> / <sub>4</sub>	1/2	2	1
FN-22U 3Ø	2	11 <sup>5</sup> / <sub>16</sub>	9 <sup>3</sup> / <sub>16</sub>	7 <sup>15</sup> / <sub>16</sub>	3 <sup>7</sup> / <sub>16</sub>	3 <sup>15</sup> / <sub>16</sub>	16 <sup>5</sup> / <sub>16</sub>	18 <sup>3</sup> / <sub>4</sub>	55	EF2-96	2	3 <sup>3</sup> / <sub>4</sub>	4 <sup>3</sup> / <sub>4</sub>	1/2	2	1

C.W.L.:Continuous Running Water Level  
L.W.L.:Lowest Running Water Level

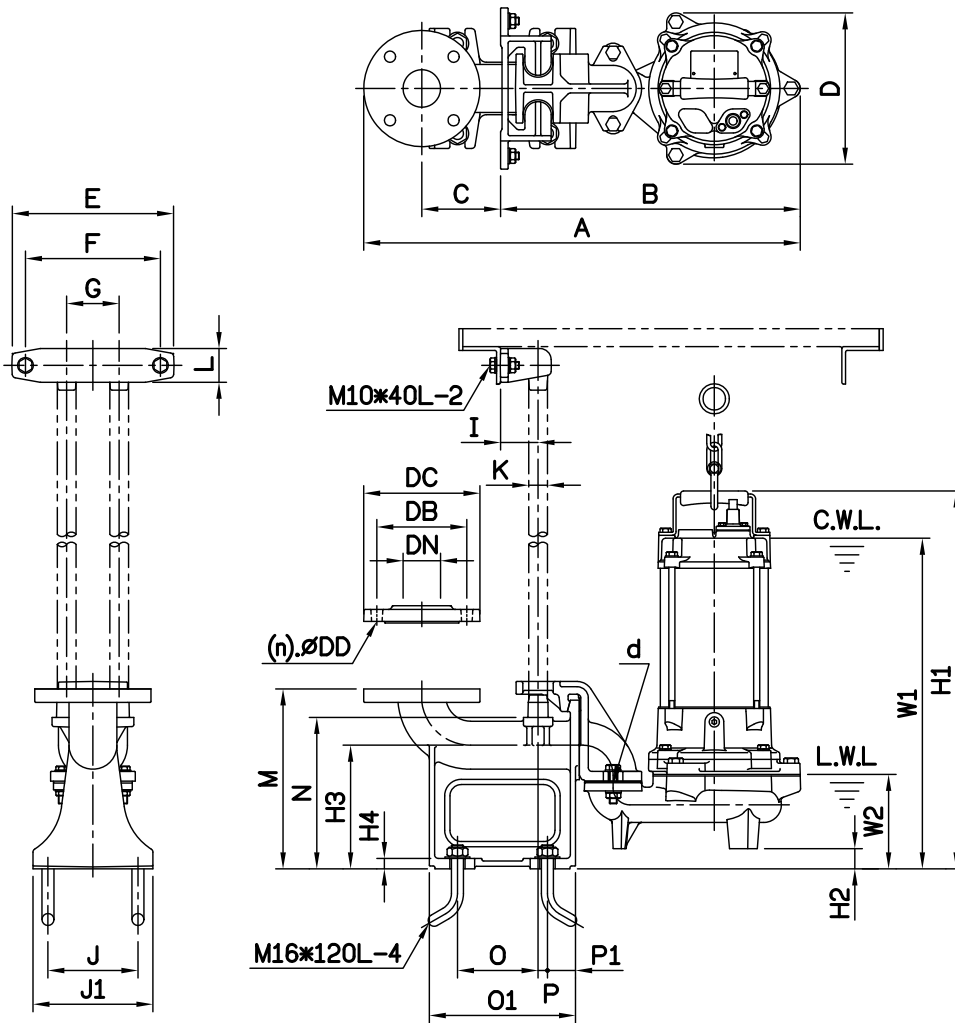
WT1:Pump Weight(Without Cable)  
WT2:Elbow Set Weight

## DIMENSIONS

NO: T2FNU215032-00

MODEL: FN-22U

1Ø / 3Ø



Flange	
Female Thread	
PT	NPT

Dimensions-mm

Elbow (Flange)Set	DN	DB	DC	DD	(n)QTY
EF2-120	50	120	155	15	4

Dimensions-inch

Elbow (Flange)Set	DN	DB	DC	DD	(n)QTY
EF2-120	2	4¾	6½	¾	4

Dimensions-mm

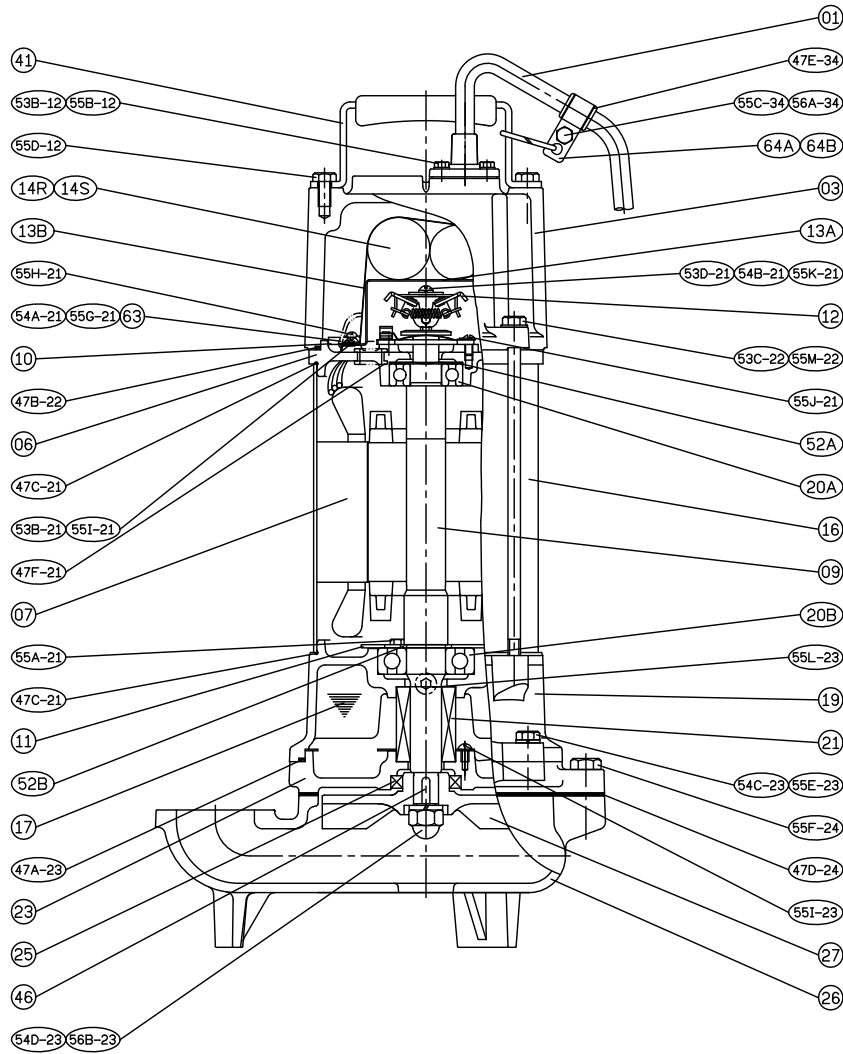
Model	d	A	B	C	D	E	F	G	I	J	J1	K	L	M	N	O	O1	P	P1	W1	W2	H1	H2	H3	H4	WT1	Weight:kg	
																											GRS Set	WT2
FN-22U 1Ø	50	583	400	105	202	215	180	70	50	120	160	1"	45	240	202	108	195	13	38	510	126	573	27	165	14	30	T50E	17
FN-22U 3Ø	50	583	400	105	202	215	180	70	50	120	160	1"	45	240	202	108	195	13	38	441	126	504	27	165	14	25	T50E	17

Dimensions-inch

Model	d	A	B	C	D	E	F	G	I	J	J1	K	L	M	N	O	O1	P	P1	W1	W2	H1	H2	H3	H4	WT1	Weight:lb	
																											GRS Set	WT2
FN-22U 1Ø	2	22¾	15¾	4½	7½	8½	7½	2¾	1½	4¾	6½	1	1¾	9½	7½	4¼	7½	½	1½	20½	4½	22¾	1½	6½	9/16	66	T50E	38
FN-22U 3Ø	2	22¾	15¾	4½	7½	8½	7½	2¾	1½	4¾	6½	1	1¾	9½	7½	4¼	7½	½	1½	17¾	4½	19¾	1½	6½	9/16	55	T50E	38

C.W.L.:Continuous Running Water Level  
L.W.L.:Lowest Running Water Level

WT1:Pump Weight(Without Cable)  
WT2:GRS Set Weight



No.	Part name	Material	QTY	Remark
01	Cable		1	
03	Upper cover	FC200	1	
06	Bracket	FC200	1	
07	Stator		1	
09	Shaft end	SUS403	1	
10	Auto-cut Protector		1	
11	Bearing fixer	SPCC	1	
12	Centrifugal switch		1	
14R	Capacitor		1	
14S	Start capacitor		1	
16	Motor frame	SUS304	1	
17	Lubricant			
19	Bearing bracket	FC200	1	

No.	Part name	Material	QTY	Remark
20A	Bearing		1	
20B	Bearing		1	
21	M.seal	CA / CE & SIC / SIC	1	
23	M.seal bracket	FC200	1	
25	Oil seal	NBR	1	
26	Casing	FC200	1	
27	Impeller	FC200	1	
41	Handle	SUS304	1	
46	Impeller key	SUS304	1	
47	Packing			