
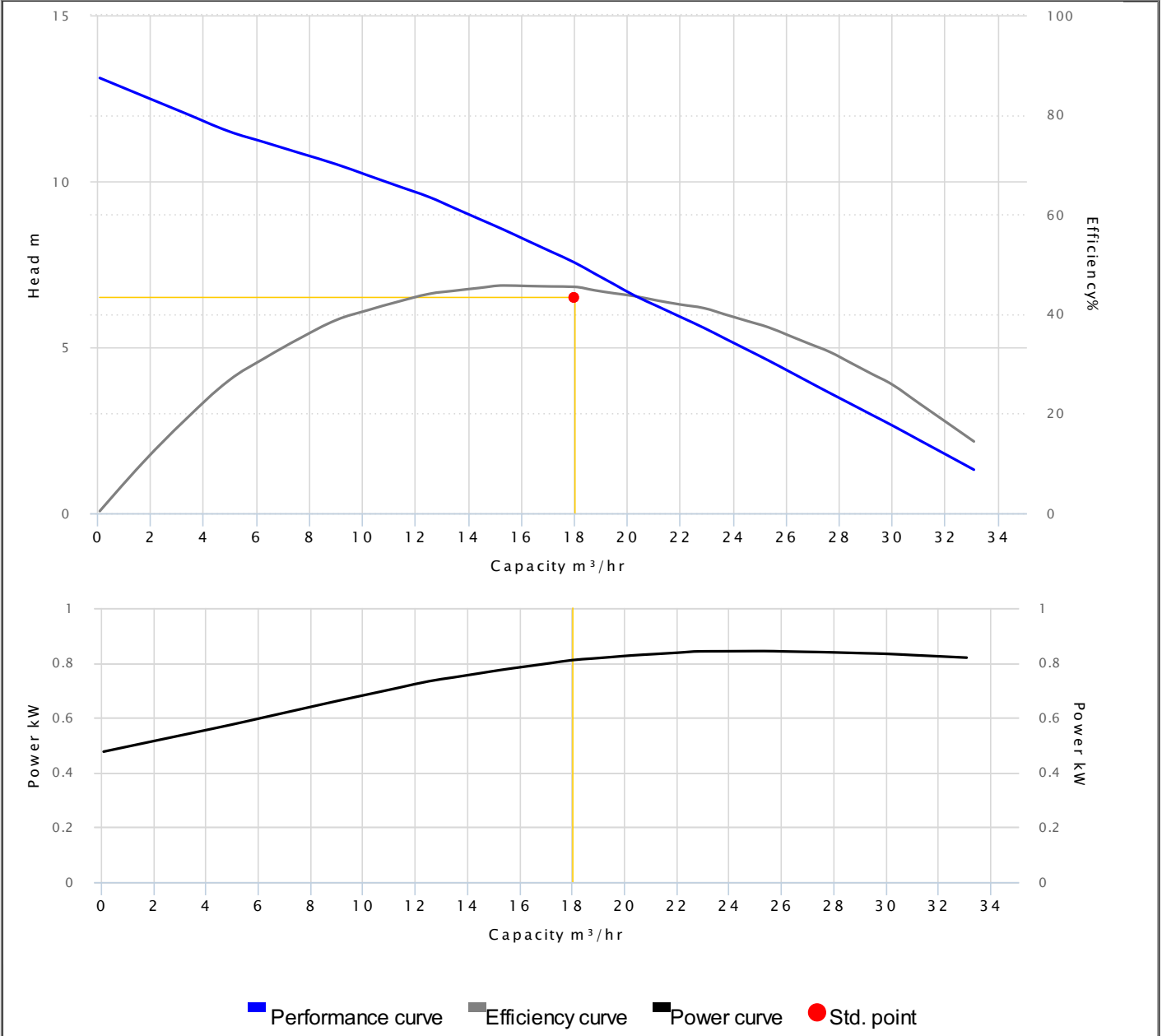




HCP PUMP

PUMP PERFORMANCE CURVES

Model	F-31U		
Frequency	50 Hz		
Discharge	3" / 80 mm		
Power	1 HP / 0.75 kW		
Std. Head	6.5 m		
Std. Capacity	18 m ³ /hr		
Phase/Volt	1 Ø / 220 V		
Rated Current	5.40 A		
rpm	2 P / 2850 rpm		
Start Method	CAPACITOR		
Insulation Class	B		
Solid Passage	30 mm	Output	0.82 kW

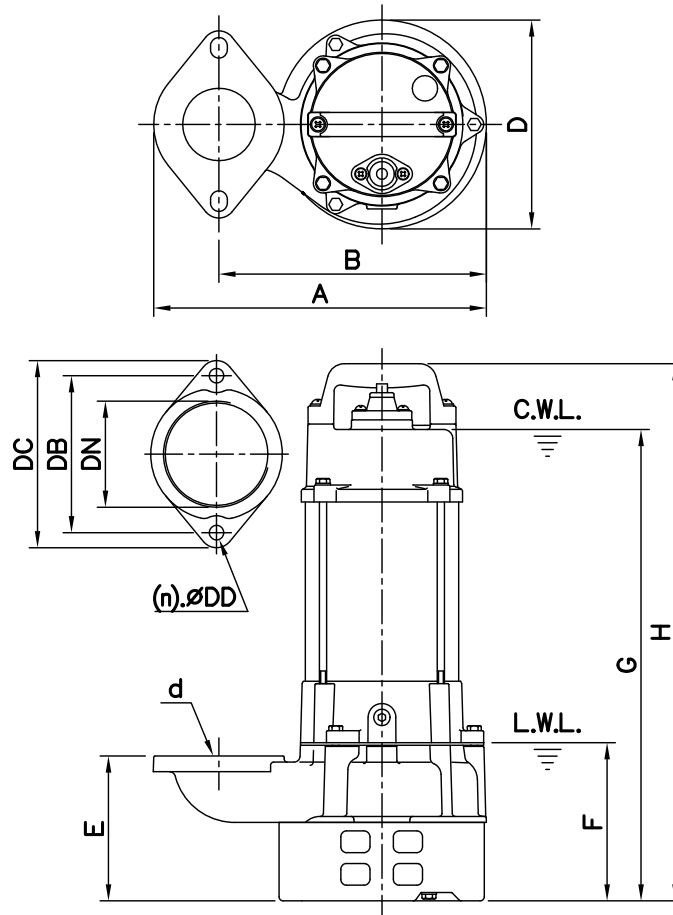


DIMENSIONS

NO: S3F0U208032-02

MODEL: F-31U

1Ø / 3Ø



Flange	
Female Thread	
PF	NPT

Dimensions—mm

Weight:kg

Model	d	A	B	D	E	F	G	H	WT1	Elbow (Flange) Set	DN	DB	DC	DD	(n)QTY	WT2
F-31U 1Ø	80	276	222	173	120	131	391	445	18	EF3-130	80	130	155	12	2	1
F-31U 3Ø	80	276	222	173	120	131	391	445	17	EF3-130	80	130	155	12	2	1

Dimensions—inch

Weight:lb

Model	d	A	B	D	E	F	G	H	WT1	Elbow (Flange) Set	DN	DB	DC	DD	(n)QTY	WT2
F-31U 1Ø	3	10 ⁷ / ₈	8 ³ / ₄	6 ¹³ / ₁₆	4 ³ / ₄	5 ³ / ₁₆	15 ³ / ₈	17 ¹ / ₂	40	EF3-130	3	5 ¹ / ₈	6 ¹ / ₈	1/2	2	2
F-31U 3Ø	3	10 ⁷ / ₈	8 ³ / ₄	6 ¹³ / ₁₆	4 ³ / ₄	5 ³ / ₁₆	15 ³ / ₈	17 ¹ / ₂	37	EF3-130	3	5 ¹ / ₈	6 ¹ / ₈	1/2	2	2

C.W.L.:Continuous Running Water Level
L.W.L.:Lowest Running Water Level

WT1:Pump Weight(Without Cable)
WT2:Elbow Set Weight

