
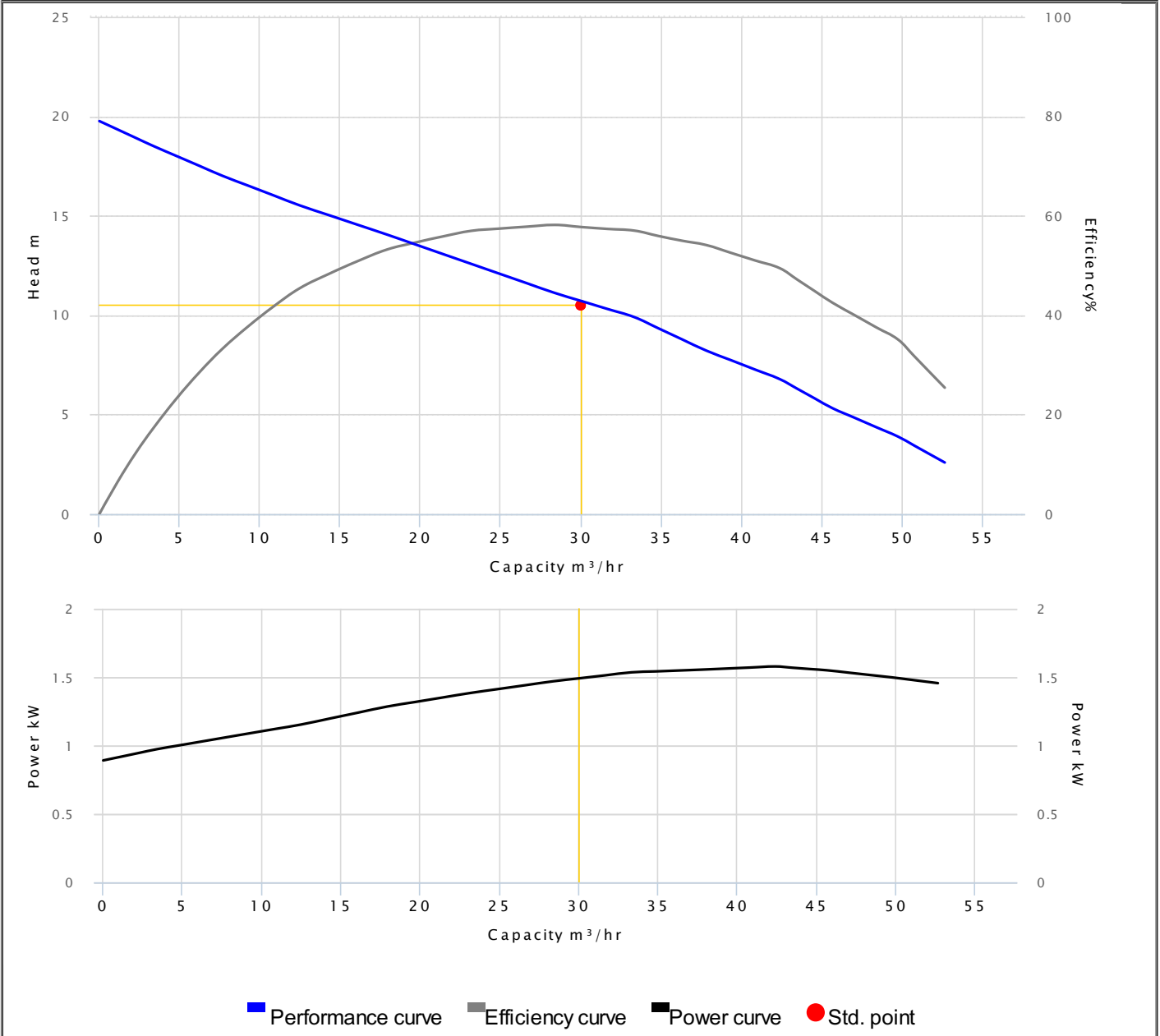




HCP PUMP

PUMP PERFORMANCE CURVES

Model	AN-32		
Frequency	50 Hz		
Discharge	3" / 80 mm		
Power	2 HP / 1.5 kW		
Std. Head	10.5 m		
Std. Capacity	30 m ³ /hr		
Phase/Volt	3 Ø / 380 V		
Rated Current	3.60 A		
rpm	2 P / 2820 rpm		
Start Method	DIRECT		
Insulation Class	F		
Solid Passage	10.5 mm	Output	N/A

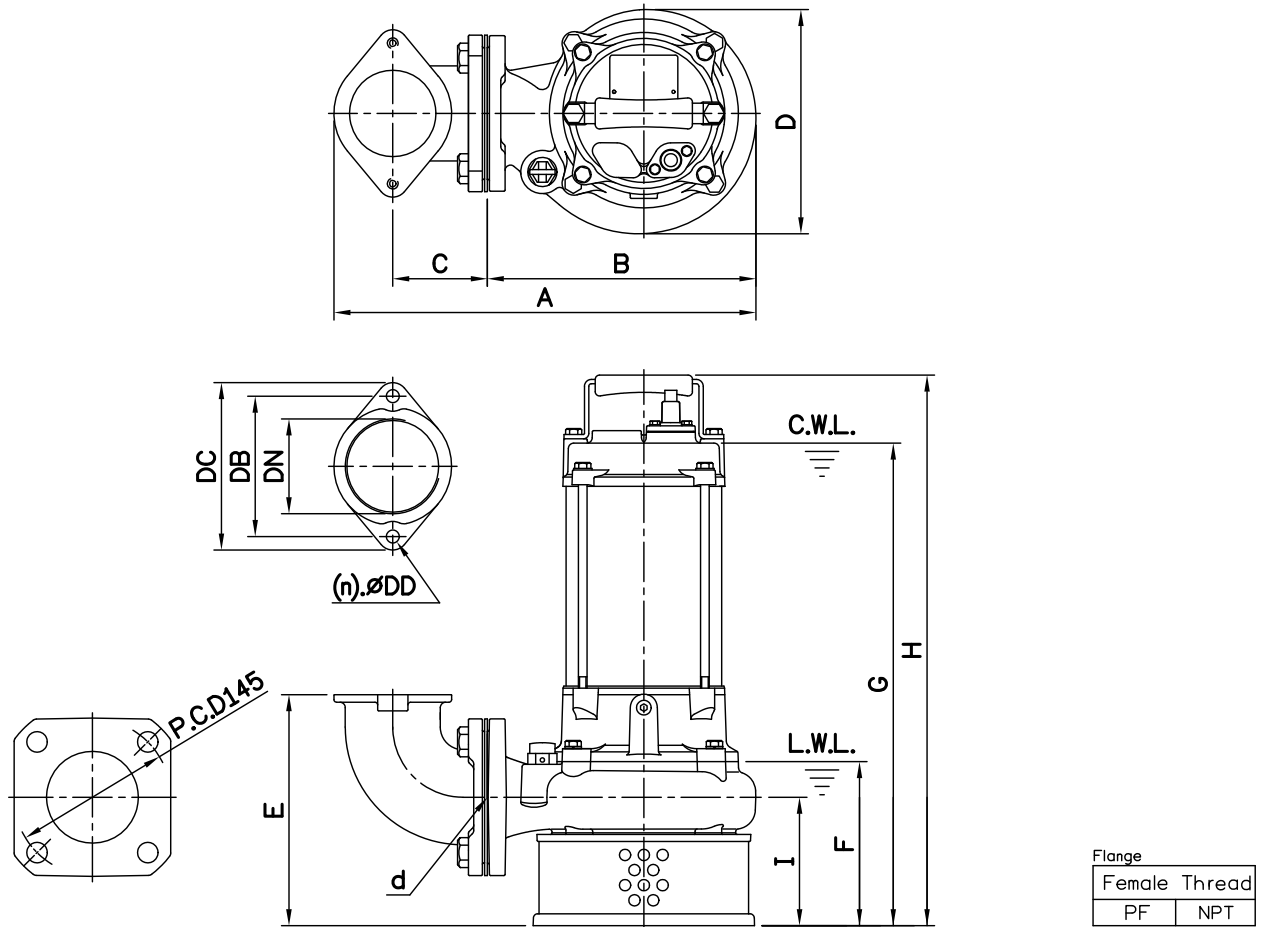


DIMENSIONS

NO: S3AN0222032-00

MODEL: AN-32 / 33

1Ø / 3Ø



Dimensions—mm

Weight:kg

Model	d	A	B	C	D	E	F	G	H	I	WT1	Elbow (Flange)Set	DN	DB	DC	DD	(n)QTY	WT2
AN-32 1Ø	80	391	249	88	208	214	152	528	591	119	33	EB3-130	80	130	155	12	2	5
AN-32 3Ø	80	391	249	88	208	214	152	447	510	119	29	EB3-130	80	130	155	12	2	5
AN-33 1Ø	80	391	249	88	208	214	152	540	603	119	37	EB3-130	80	130	155	12	2	5
AN-33 3Ø	80	391	249	88	208	214	152	447	510	119	32	EB3-130	80	130	155	12	2	5

Dimensions—inch

Weight:lb

Model	d	A	B	C	D	E	F	G	H	I	WT1	Elbow (Flange)Set	DN	DB	DC	DD	(n)QTY	WT2
AN-32 1Ø	3	15 ³ / ₈	9 ¹³ / ₁₆	3 ⁷ / ₁₆	8 ³ / ₁₆	8 ⁷ / ₁₆	6	20 ³ / ₁₆	23 ³ / ₄	4 ¹ / ₁₆	73	EB3-130	3	5 ¹ / ₈	6 ¹ / ₈	1/2	2	11
AN-32 3Ø	3	15 ³ / ₈	9 ¹³ / ₁₆	3 ⁷ / ₁₆	8 ³ / ₁₆	8 ⁷ / ₁₆	6	17 ⁵ / ₈	20 ³ / ₁₆	4 ¹ / ₁₆	64	EB3-130	3	5 ¹ / ₈	6 ¹ / ₈	1/2	2	11
AN-33 1Ø	3	15 ³ / ₈	9 ¹³ / ₁₆	3 ⁷ / ₁₆	8 ³ / ₁₆	8 ⁷ / ₁₆	6	21 ¹ / ₄	23 ³ / ₄	4 ¹ / ₁₆	82	EB3-130	3	5 ¹ / ₈	6 ¹ / ₈	1/2	2	11
AN-33 3Ø	3	15 ³ / ₈	9 ¹³ / ₁₆	3 ⁷ / ₁₆	8 ³ / ₁₆	8 ⁷ / ₁₆	6	17 ⁵ / ₈	20 ³ / ₁₆	4 ¹ / ₁₆	71	EB3-130	3	5 ¹ / ₈	6 ¹ / ₈	1/2	2	11

C.W.L.:Continuous Running Water Level
L.W.L.:Lowest Running Water Level

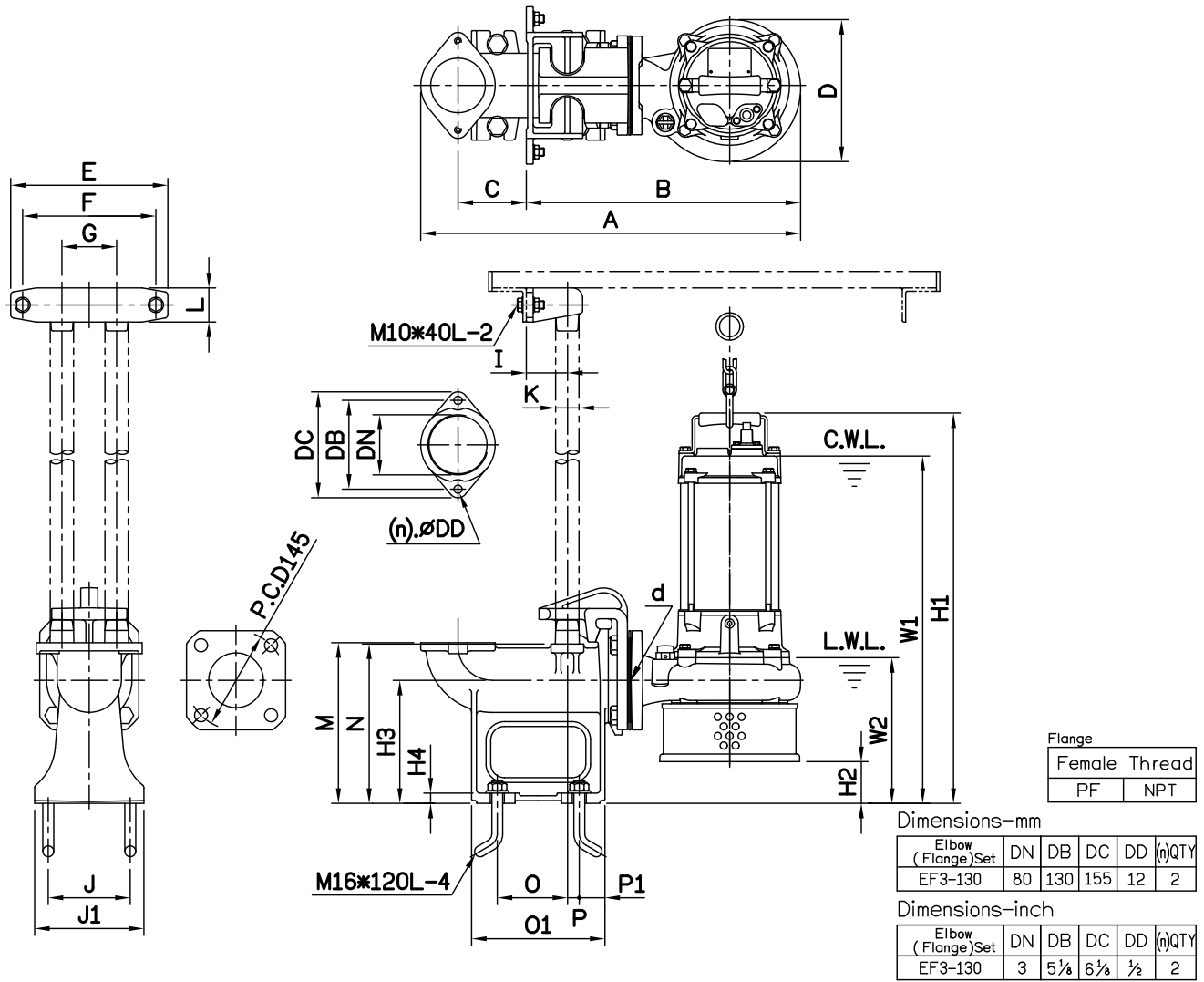
WT1:Pump Weight(Without Cable)
WT2:Elbow Set Weight

DIMENSIONS

NO: T3AN0222032-00

MODEL: AN-32 / 33

1Ø / 3Ø



Dimensions-mm

Weight:kg

Model	d	A	B	C	D	E	F	G	I	J	J1	K	L	M	N	O	O1	P	P1	W1	W2	H1	H2	H3	H4	WT1	GRS Set	WT2
AN-32 1Ø	80	557	402	100	208	230	195	80	60	120	160	1 1/4	50	235	233	103	195	18	38	589	213	652	61	180	15	33	T2-80	20
AN-33 1Ø	80	557	402	100	208	230	195	80	60	120	160	1 1/4	50	235	233	103	195	18	38	601	213	664	61	180	15	37	T2-80	20
AN-32 3Ø	80	557	402	100	208	230	195	80	60	120	160	1 1/4	50	235	233	103	195	18	38	508	213	571	61	180	15	29	T2-80	20
AN-33 3Ø	80	557	402	100	208	230	195	80	60	120	160	1 1/4	50	235	233	103	195	18	38	508	213	571	61	180	15	32	T2-80	20

Dimensions-inch

Weight:lb

Model	d	A	B	C	D	E	F	G	I	J	J1	K	L	M	N	O	O1	P	P1	W1	W2	H1	H2	H3	H4	WT1	GRS Set	WT2
AN-32 1Ø	3	21 15/16	15 3/16	3 15/16	8 3/16	9 1/16	7 11/16	3 1/8	2 3/8	4 3/4	6 5/16	1 1/4	2	9 3/4	9 3/16	4 1/16	7 11/16	1 1/16	1 1/2	23 3/16	8 3/8	25 1/16	2 3/8	7 1/16	9/16	73	T2-80	43
AN-33 1Ø	3	21 15/16	15 3/16	3 15/16	8 3/16	9 1/16	7 11/16	3 1/8	2 3/8	4 3/4	6 5/16	1 1/4	2	9 3/4	9 3/16	4 1/16	7 11/16	1 1/16	1 1/2	23 3/16	8 3/8	26 1/2	2 3/8	7 1/16	9/16	82	T2-80	43
AN-32 3Ø	3	21 15/16	15 3/16	3 15/16	8 3/16	9 1/16	7 11/16	3 1/8	2 3/8	4 3/4	6 5/16	1 1/4	2	9 3/4	9 3/16	4 1/16	7 11/16	1 1/16	1 1/2	20	8 3/8	22 1/2	2 3/8	7 1/16	9/16	64	T2-80	43
AN-33 3Ø	3	21 15/16	15 3/16	3 15/16	8 3/16	9 1/16	7 11/16	3 1/8	2 3/8	4 3/4	6 5/16	1 1/4	2	9 3/4	9 3/16	4 1/16	7 11/16	1 1/16	1 1/2	20	8 3/8	22 1/2	2 3/8	7 1/16	9/16	71	T2-80	43

C.W.L.:Continuous Running Water Level
L.W.L.:Lowest Running Water Level

WT1:Pump Weight(Without Cable)
WT2:GRS Set Weight

