
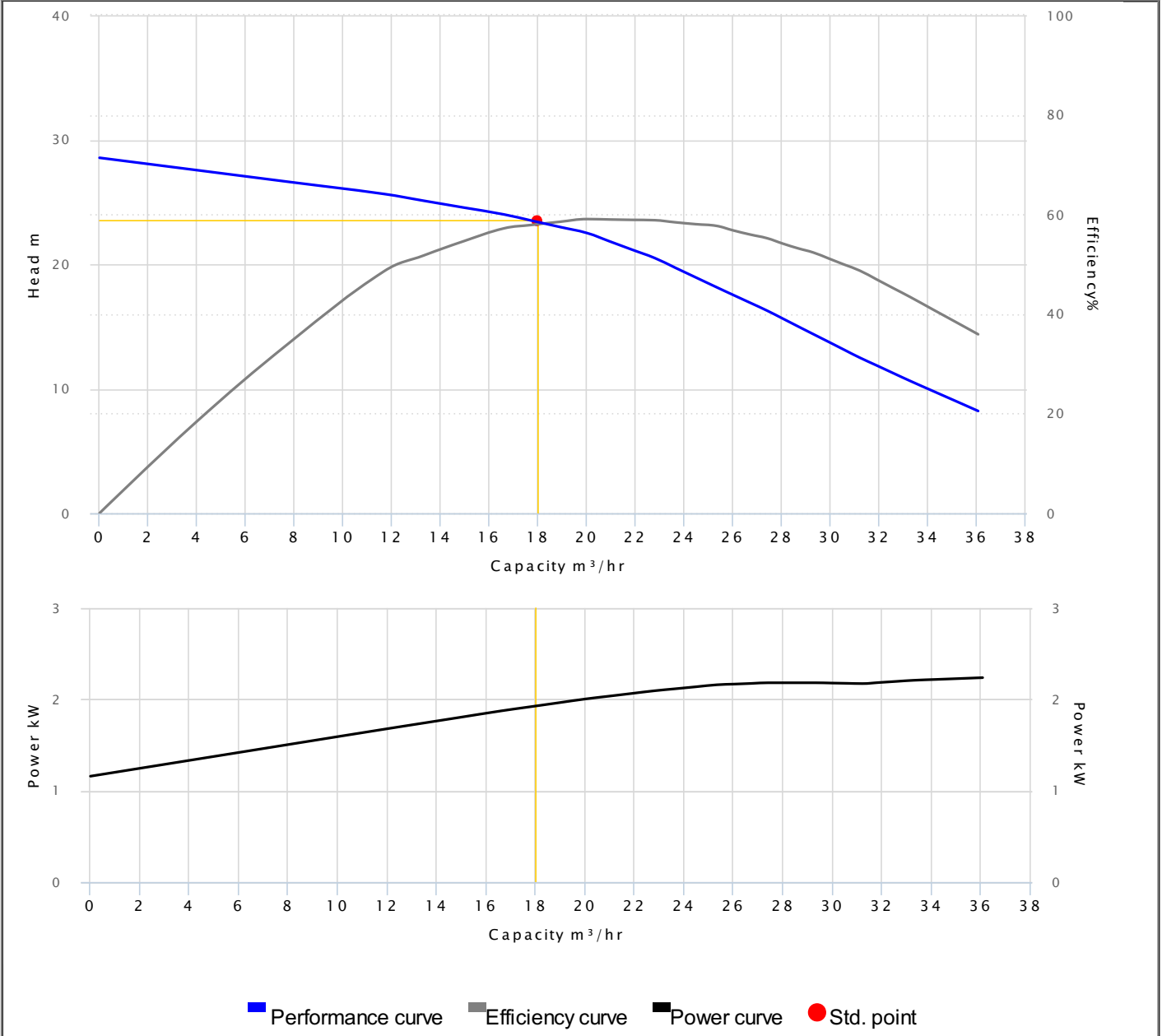


HCP PUMP

PUMP PERFORMANCE CURVES

Model	AN-23		
Frequency	50 Hz		
Discharge	2" / 50 mm		
Power	3 HP / 2.2 kW		
Std. Head	23.5 m		
Std. Capacity	18 m ³ /hr		
Phase/Volt	3 Ø / 380 V		
Rated Current	5.10 A		
rpm	2 P / 2840 rpm		
Start Method	DIRECT		
Insulation Class	F	Efficiency	58 %
Solid Passage	10.5 mm	Output	1.93 kW

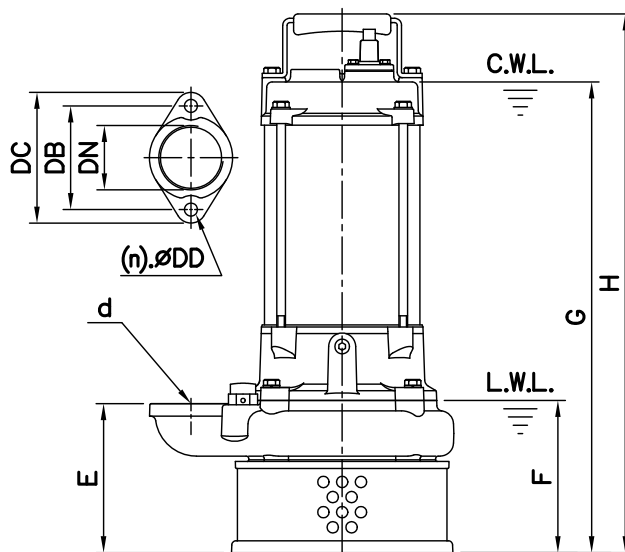
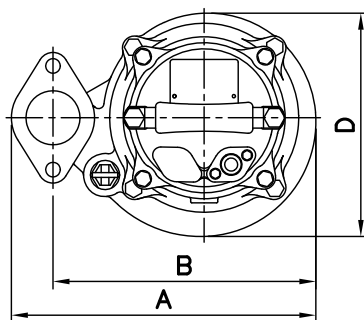


DIMENSIONS

NO: S2AN0222032-00

MODEL: AN-22 / 23

1Ø / 3Ø



Flange	
Female Thread	
PF	NPT

Dimensions—mm

Weight:kg

Model	d	A	B	D	E	F	G	H	WT1	Elbow (Flange)Set	DN	DB	DC	DD	(n)QTY	WT2
AN-22 1Ø	50	282	244	207	138	141	517	580	31	EF2-96	50	96	121	12	2	1
AN-22 3Ø	50	282	244	207	138	141	436	499	27	EF2-96	50	96	121	12	2	1
AN-23 1Ø	50	282	244	207	138	141	529	592	35	EF2-96	50	96	121	12	2	1
AN-23 3Ø	50	282	244	207	138	141	436	499	30	EF2-96	50	96	121	12	2	1

Dimensions—inch

Weight:lb

Model	d	A	B	D	E	F	G	H	WT1	Elbow (Flange)Set	DN	DB	DC	DD	(n)QTY	WT2
AN-22 1Ø	2	11 ¹ / ₈	9 ⁵ / ₈	8 ¹ / ₈	5 ³ / ₈	5 ⁵ / ₈	20 ³ / ₈	22 ³ / ₈	68	EF2-96	2	3 ³ / ₄	4 ³ / ₄	1/2	2	1
AN-22 3Ø	2	11 ¹ / ₈	9 ⁵ / ₈	8 ¹ / ₈	5 ³ / ₈	5 ⁵ / ₈	17 ¹ / ₈	19 ⁵ / ₈	60	EF2-96	2	3 ³ / ₄	4 ³ / ₄	1/2	2	1
AN-23 1Ø	2	11 ¹ / ₈	9 ⁵ / ₈	8 ¹ / ₈	5 ³ / ₈	5 ⁵ / ₈	20 ³ / ₈	23 ³ / ₈	77	EF2-96	2	3 ³ / ₄	4 ³ / ₄	1/2	2	1
AN-23 3Ø	2	11 ¹ / ₈	9 ⁵ / ₈	8 ¹ / ₈	5 ³ / ₈	5 ⁵ / ₈	17 ¹ / ₈	19 ⁵ / ₈	66	EF2-96	2	3 ³ / ₄	4 ³ / ₄	1/2	2	1

C.W.L.:Continuous Running Water Level
L.W.L.:Lowest Running Water Level

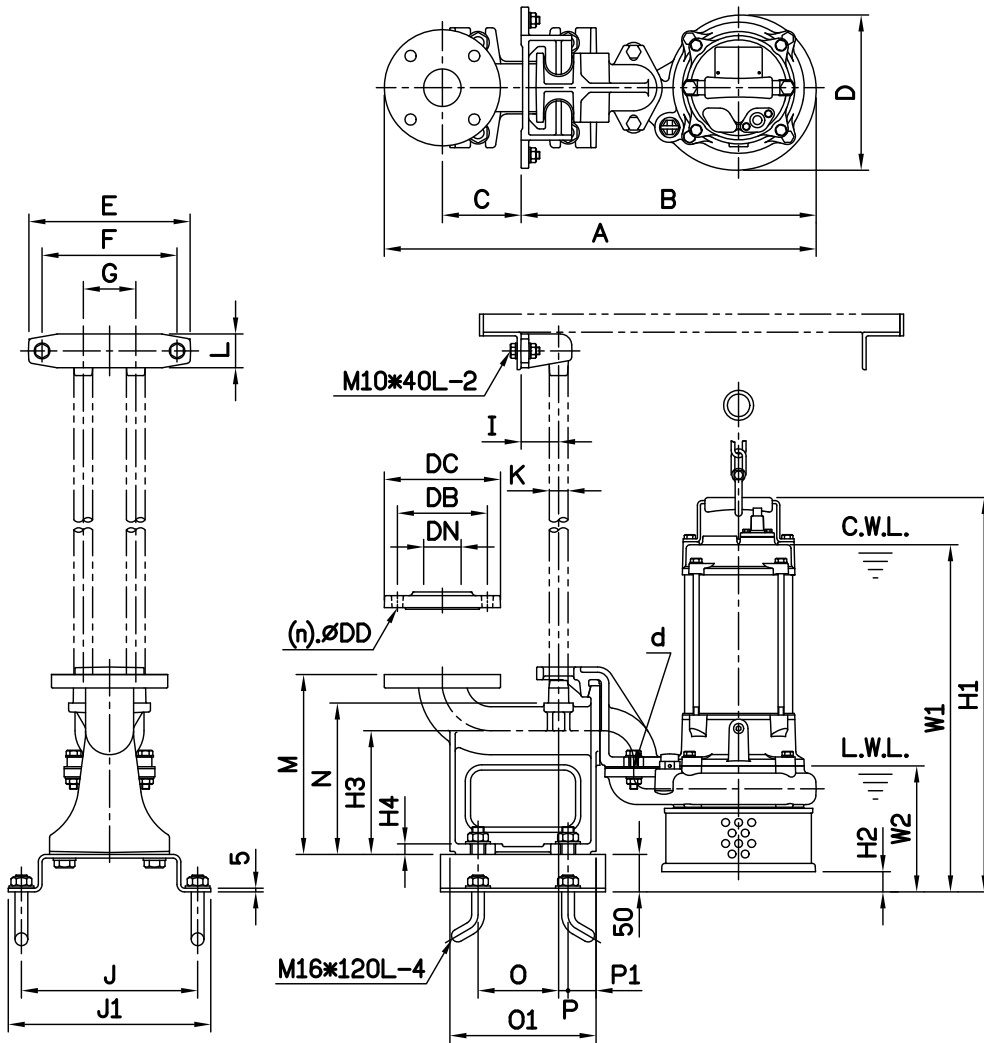
WT1:Pump Weight(Without Cable)
WT2:Elbow Set Weight

DIMENSIONS

NO: T2AN0222032-00

MODEL: AN-22 / 23

1Ø / 3Ø



Flange	
Female Thread	
PT	NPT

Dimensions-mm

Elbow (Flange)Set	DN	DB	DC	DD	(n)QTY
EF2-120	50	120	155	15	4

Dimensions-inch

Elbow (Flange)Set	DN	DB	DC	DD	(n)QTY
EF2-120	2	4 3/4	6 1/8	5/8	4

Dimensions-mm

Model	d	A	B	C	D	E	F	G	I	J	J1	K	L	M	N	O	O1	P	P1	W1	W2	H1	H2	H3	H4	WT1	GRS Set	WT2
AN-22 1Ø	50	557	394	105	207	215	180	70	50	235	270	1*	45	240	202	108	195	13	38	544	168	607	27	165	14	31	T50E-E5	21
AN-23 1Ø	50	557	394	105	207	215	180	70	50	235	270	1*	45	240	202	108	195	13	38	556	168	619	27	165	14	35	T50E-E5	21
AN-22 3Ø	50	557	394	105	207	215	180	70	50	235	270	1*	45	240	202	108	195	13	38	463	168	526	27	165	14	27	T50E-E5	21
AN-23 3Ø	50	557	394	105	207	215	180	70	50	235	270	1*	45	240	202	108	195	13	38	463	168	526	27	165	14	30	T50E-E5	21

Weight:kg

Dimensions-inch

Model	d	A	B	C	D	E	F	G	I	J	J1	K	L	M	N	O	O1	P	P1	W1	W2	H1	H2	H3	H4	WT1	GRS Set	WT2
AN-22 1Ø	2	21 15/16	15 1/2	4 1/8	8 1/8	8 3/16	7 1/16	2 3/4	2	9 1/4	10 5/8	1	1 3/4	9 1/16	7 9/16	4 1/4	7 1/16	1/2	1 1/2	21 1/16	6 5/8	23 3/8	1 1/8	6 1/2	9/16	68	T50E-E5	47
AN-23 1Ø	2	21 15/16	15 1/2	4 1/8	8 1/8	8 3/16	7 1/16	2 3/4	2	9 1/4	10 5/8	1	1 3/4	9 1/16	7 9/16	4 1/4	7 1/16	1/2	1 1/2	21 1/16	6 5/8	24 3/8	1 1/8	6 1/2	9/16	77	T50E-E5	47
AN-22 3Ø	2	21 15/16	15 1/2	4 1/8	8 1/8	8 3/16	7 1/16	2 3/4	2	9 1/4	10 5/8	1	1 3/4	9 1/16	7 9/16	4 1/4	7 1/16	1/2	1 1/2	18 3/4	6 5/8	20 1/16	1 1/8	6 1/2	9/16	60	T50E-E5	47
AN-23 3Ø	2	21 15/16	15 1/2	4 1/8	8 1/8	8 3/16	7 1/16	2 3/4	2	9 1/4	10 5/8	1	1 3/4	9 1/16	7 9/16	4 1/4	7 1/16	1/2	1 1/2	18 3/4	6 5/8	20 1/16	1 1/8	6 1/2	9/16	66	T50E-E5	47

Weight:lb

C.W.L.:Continuous Running Water Level
L.W.L.:Lowest Running Water Level

WT1:Pump Weight(Without Cable)
WT2:GRS Set Weight

