

HCP PUMP

Model	80SA23.7
Series	SA
Frequency	50
Phase	3
Discharge	80 mm (3")



Motor Data

Input Power—P1	4.6 kW
Rated Power—P2	3.7 kW
Insulation Class	F
Voltage Range	200~525V
Max. Starts Per Hour	10
Rated Speed (rpm)	2850
Start Method	DOL
Ingress Protection Code	DOL
Explosion-Proof	IP68

Technology

Impeller Type	Open
Mechanical Seal	Double
Lubricating Oil VG32	1250 CC
Solid Passage	20 mm
Cooling Type	External cooling

Material

Motor Frame	SUS316 (AISI 316)
Shaft	SUS316 (X5CrNiMo17-12-2)
Casing	SCS14 (G-X6CrNiMo1810)
Impeller	SCS14 (G-X6CrNiMo1810)
Mechanical Seal	CA/CE&SiC/SiC
Cable	VCT,H07RN-F
Upper and Lower Bearing	6304ZZ,6307ZZ

Liquid

Maximum Ambient Temperature	0~40°C (32~104°F)
Maximum Installation Depth	20m (66ft)
Highest Liquid Temperature	40 °C (104°F)
Liquid Transported	Acid and alkali sewage

Others

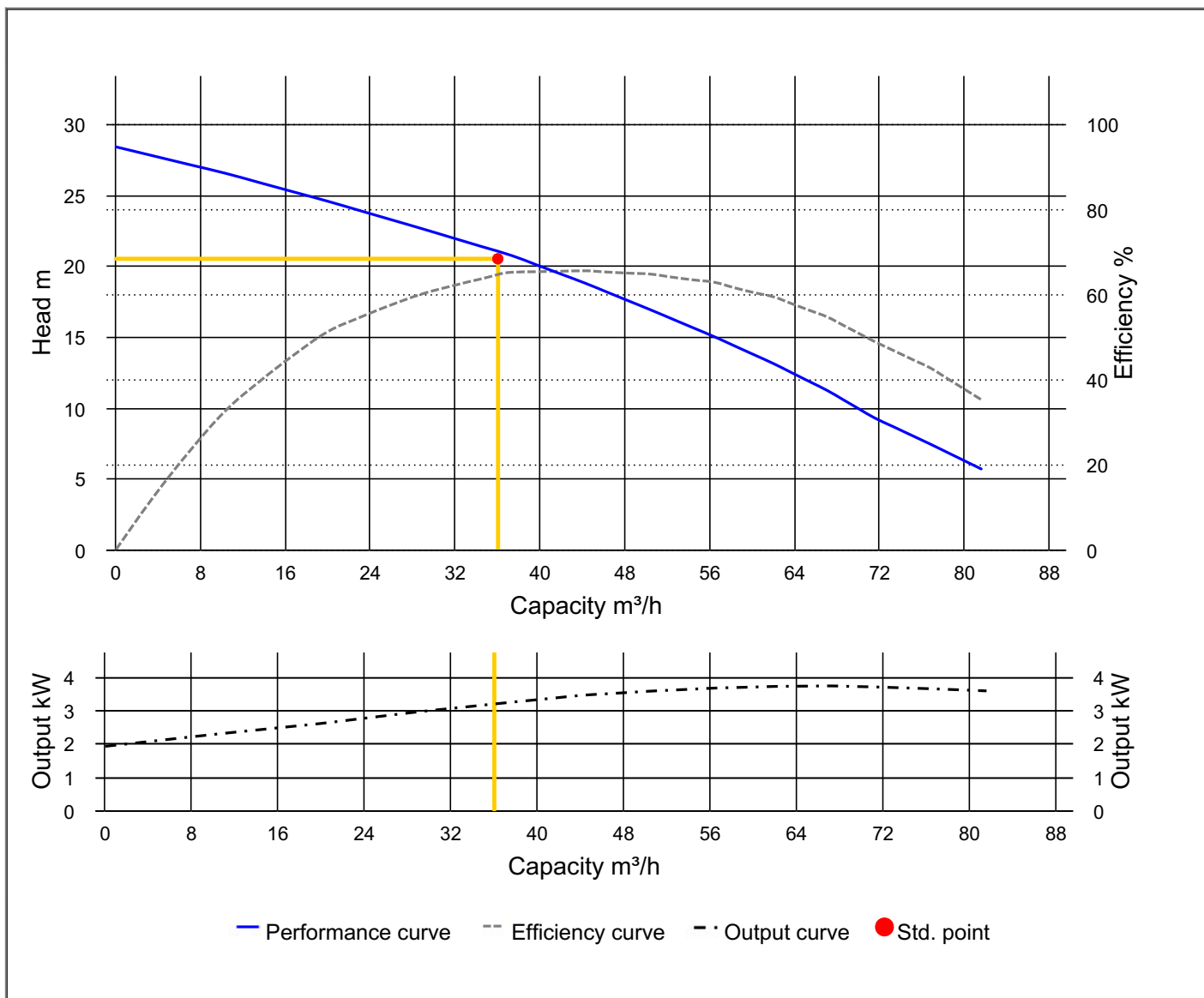
Protection Device	Auto-cut Protector
Moisture Sensor	



HCP PUMP

PUMP PERFORMANCE CURVES

Model	80SA23.7	File NO.	20210210215615
Frequency	50 Hz	Ver NO.	202003060911
Discharge	3" / 80 mm	REFERENCE SPECIFICATION	
Output	5 HP / 3.7 kW	Output	3.2 kW
Std. Head	20.5 m	Efficiency	64.7 %
Std. Capacity	36 m ³ /h		
Phase / Volt	3 Ø / 380 V		
Rated Current	8.20 A		
Pole / rpm	2 P / 2850 rpm		
Start Method	DOL		
Insulation Class	F		

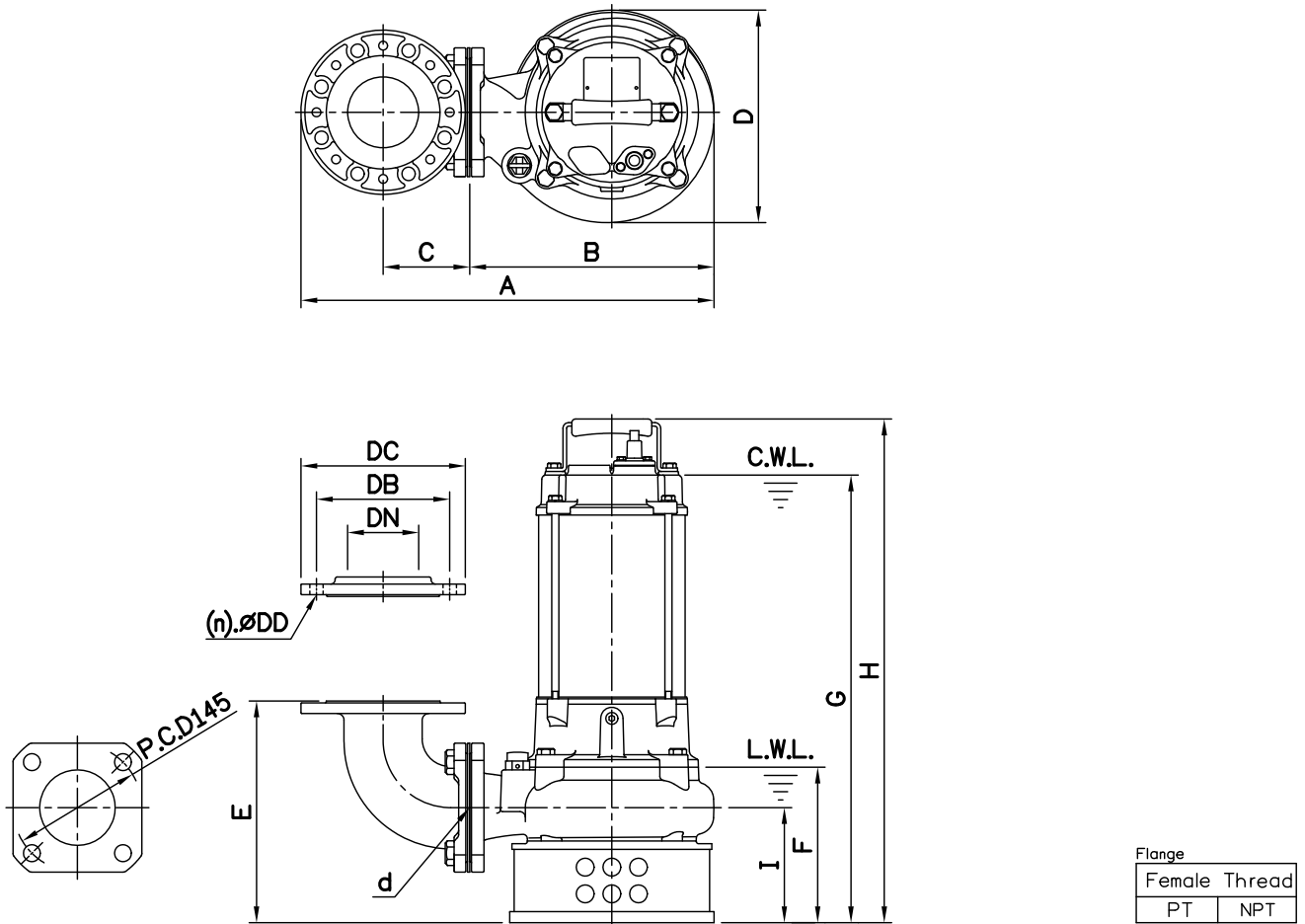


DIMENSIONS

NO: S3SA0237030-00

MODEL: 80SA23.7

50Hz 3Ø



Dimensions—mm

Weight:kg

Model	d	A	B	C	D	E	F	G	H	I	WT1	Elbow (Flange)Set	DN	DB	DC	DD	(n)QTY	WT2
80SA23.7	80	465	275	98	239	250	176	505	568	130	45	ESB3-150K	80	150	185	15	8	7

Dimensions—inch

Weight:lb

Model	d	A	B	C	D	E	F	G	H	I	WT1	Elbow (Flange)Set	DN	DB	DC	DD	(n)QTY	WT2
80SA23.7	3	18 ¹ / ₁₆	10 ³ / ₁₆	3 ⁷ / ₁₆	9 ⁷ / ₁₆	9 ¹ / ₁₆	6 ⁷ / ₁₆	19 ¹ / ₁₆	22 ³ / ₁₆	5 ¹ / ₁₆	99	ESB3-150K	3	5 ¹ / ₁₆	7 ¹ / ₁₆	³ / ₁₆	8	16

C.W.L.:Continuous Running Water Level
L.W.L.:Lowest Running Water Level

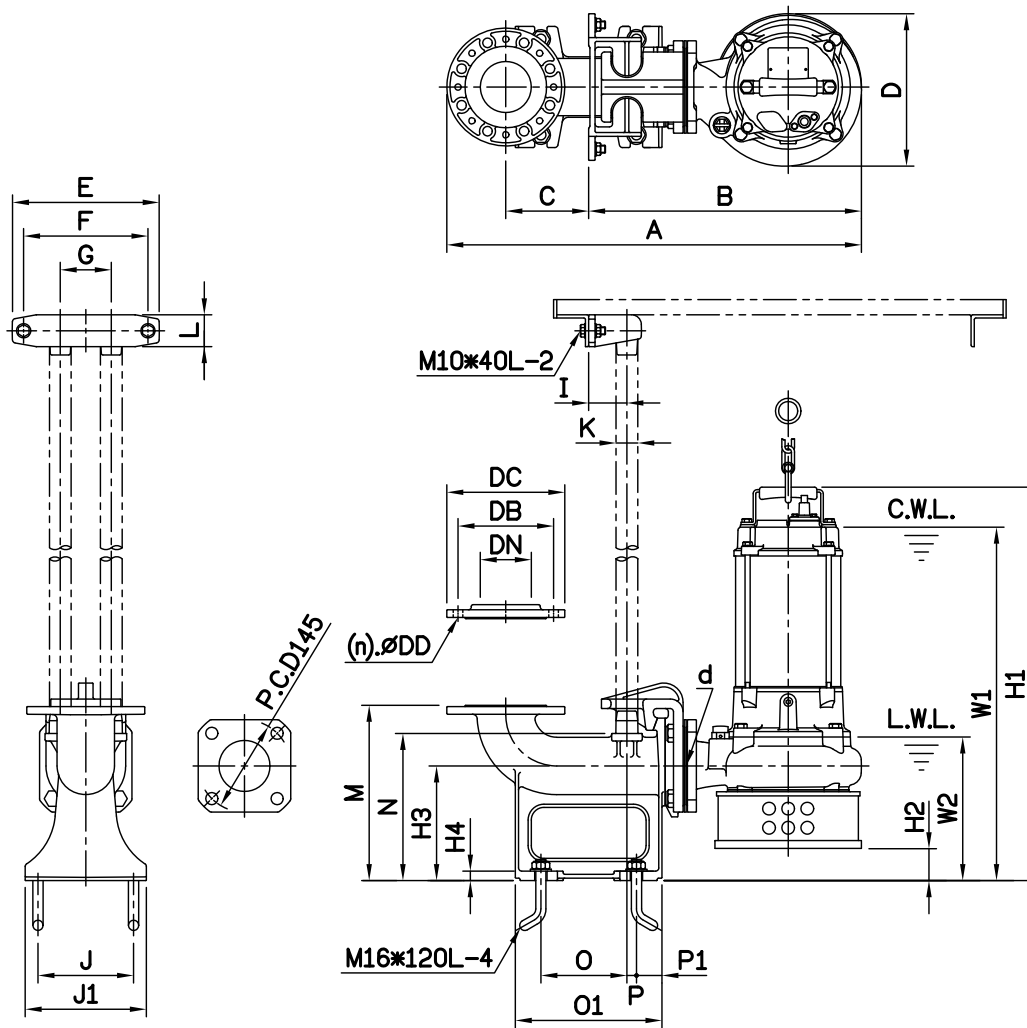
WT1:Pump Weight(Without Cable)
WT2:Elbow Set Weight

DIMENSIONS

NO: T3SA0237030-00

MODEL: 80SA23.7

50Hz 3Ø



Flange	
Female Thread	
PT	NPT

Dimensions-mm

Elbow (Flange)Set	DN	DB	DC	DD	(n)QTY
ESF3-150	80	150	185	15	8

Dimensions-inch

Elbow (Flange)Set	DN	DB	DC	DD	(n)QTY
ESF3-150	3	5 ⁷ / ₁₆	7 ⁵ / ₁₆	⁹ / ₁₆	8

Dimensions-mm

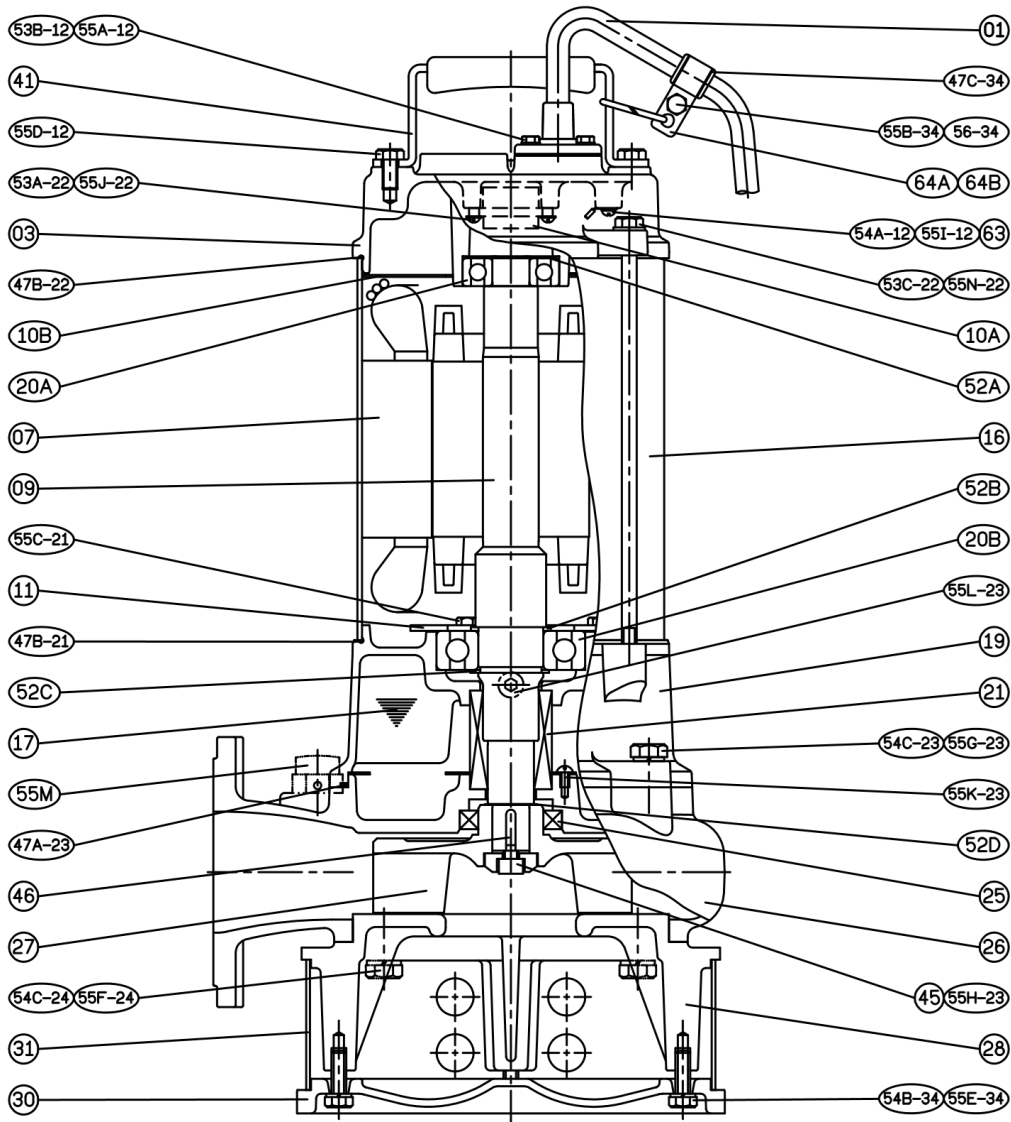
Model	d	A	B	C	D	E	F	G	I	J	J1	K	L	M	N	O	O1	P	P1	W1	W2	H1	H2	H3	H4	WT1	Weight:kg	
																											GRS Set	WT2
80SA23.7	80	681	458	130	290	230	195	80	60	150	190	1 ¹ / ₄	50	275	231	135	230	15	40	555	226	618	50	180	15	45	ST80D	22

Dimensions-inch

Model	d	A	B	C	D	E	F	G	I	J	J1	K	L	M	N	O	O1	P	P1	W1	W2	H1	H2	H3	H4	WT1	Weight:lb	
																											GRS Set	WT2
80SA23.7	3	26 ³ / ₁₆	18 ¹ / ₁₆	5 ¹ / ₁₆	11 ¹ / ₁₆	9 ¹ / ₁₆	7 ¹ / ₁₆	3 ¹ / ₁₆	2 ³ / ₁₆	5 ⁷ / ₁₆	7 ¹ / ₂	1 ¹ / ₄	2	10 ¹ / ₁₆	9 ¹ / ₁₆	5 ¹ / ₁₆	9 ¹ / ₁₆	⁹ / ₁₆	1 ¹ / ₁₆	21 ¹ / ₁₆	8 ⁷ / ₁₆	24 ³ / ₁₆	1 ¹ / ₁₆	7 ¹ / ₁₆	⁹ / ₁₆	99	ST80D	49

C.W.L.:Continuous Running Water Level
L.W.L.:Lowest Running Water Level

WT1:Pump Weight(Without Cable)
WT2:GRS Set Weight



NO.	Part name	Material	QTY
01	Cable		1
03	Upper Cover	SCS14	1
07	Stator		1
09	Shaft End	SUS316	1
10A	Auto-cut Protector		1
10B	Protective Plate		1
11	Bearing Fixer	SPCC	1
16	Motor Frame	SUS316	1
17	Lubricant		
19	Bearing Bracket	SCS14	1
20A	Bearing		1
20B	Bearing		1
21	M. Seal	CA/CE & SiC/SiC	1
23	M. Seal Bracket	SCS14	1

NO.	Part name	Material	QTY
25	Oil Seal	NBR	1
26	Casing	SCS14	1
27	Impeller	SCS14	1
28	Casing Cover	SCS14	1
30	Footing	SCS14	1
31	Strainer	SUS316	1
41	Handle	SUS304	1
46	Impeller Key	SUS304	1
47	Gasket Kit		