
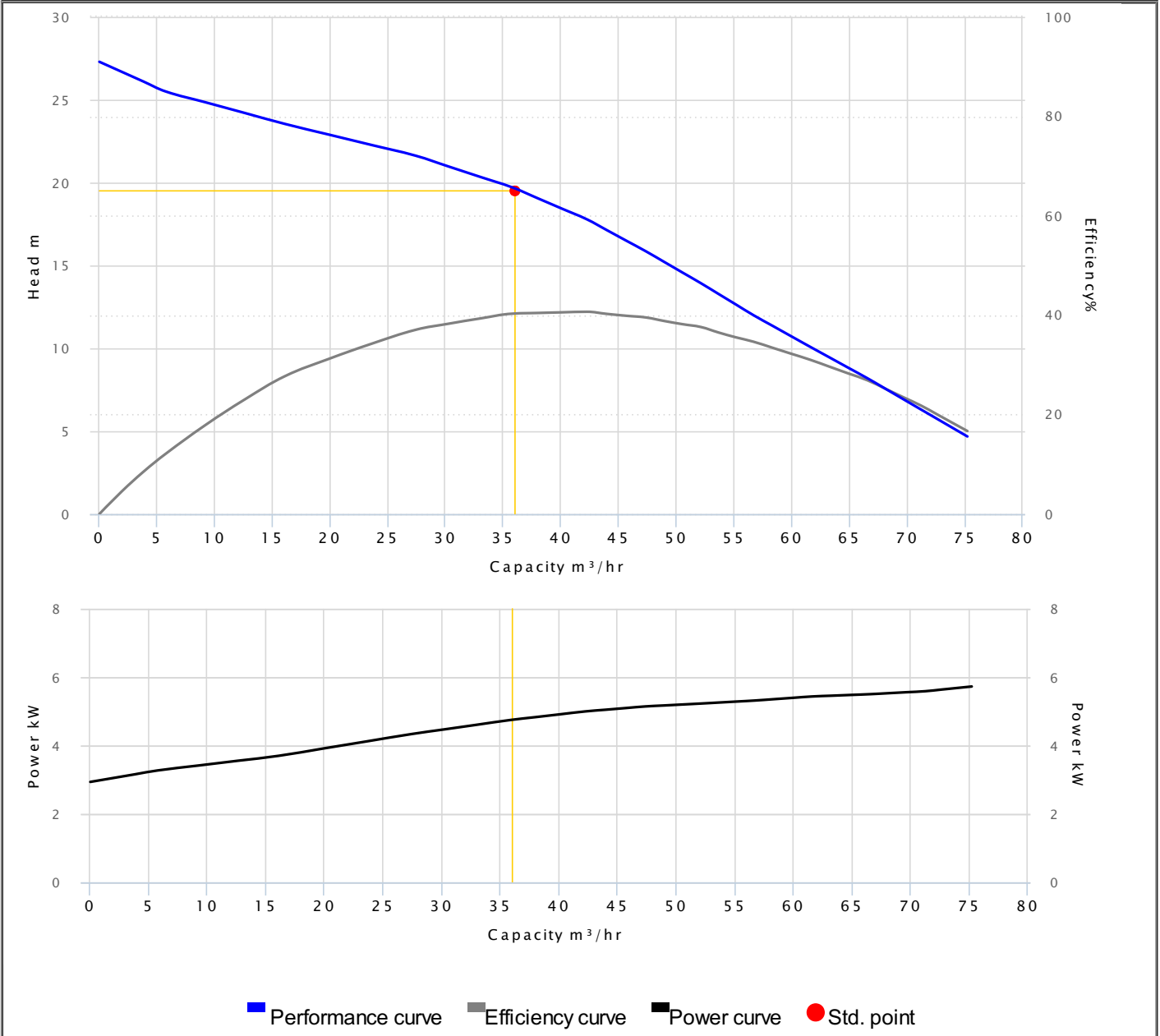


HCP PUMP

PUMP PERFORMANCE CURVES

Model	80AFU25.5		
Frequency	50 Hz		
Discharge	3" / 80 mm		
Power	7.5 HP / 5.5 kW		
Std. Head	19.5 m		
Std. Capacity	36 m ³ /hr		
Phase/Volt	3 Ø / 380 V		
Rated Current	11.70 A		
rpm	2 P / 2890 rpm		
Start Method	DIRECT		
Insulation Class	H	Efficiency	40.3 %
Solid Passage	50 mm	Output	4.76 kW

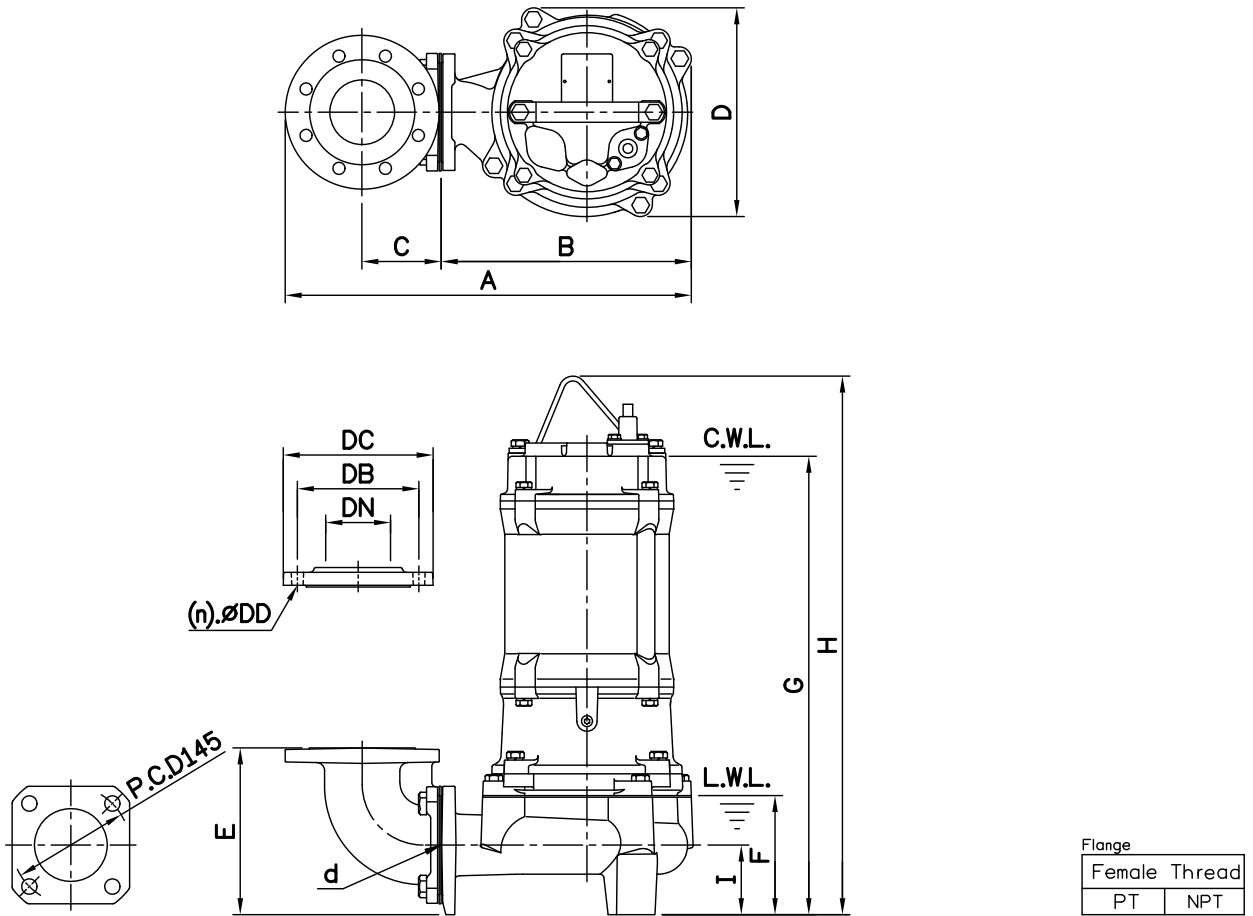


DIMENSIONS

NO: S3AFU275030-00

MODEL: 80AFU25.5 / 27.5 / 25.5L / 27.5L

50Hz 3Ø



Dimensions—mm

Weight:kg

Model	d	A	B	C	D	E	F	G	H	I	WT1	Elbow (Flange)Set	DN	DB	DC	DD	(n)QTY	WT2
80AFU25.5	80	501	309	98	258	206	147	566	665	86	68	EB3-150A	80	150	185	15	8	12
80AFU27.5	80	501	309	98	258	206	147	566	665	86	74	EB3-150A	80	150	185	15	8	12
80AFU25.5L	80	506	314	98	273	242	199	618	717	122	70	EB3-150A	80	150	185	15	8	12
80AFU27.5L	80	506	314	98	273	242	199	618	717	122	76	EB3-150A	80	150	185	15	8	12

Dimensions—inch

Weight:lb

Model	d	A	B	C	D	E	F	G	H	I	WT1	Elbow (Flange)Set	DN	DB	DC	DD	(n)QTY	WT2
80AFU25.5	3	19 ³ / ₄	12 ³ / ₁₆	3 ⁷ / ₈	10 ³ / ₁₆	8 ¹ / ₈	5 ⁵ / ₁₆	22 ⁵ / ₁₆	26 ³ / ₁₆	3 ³ / ₈	150	EB3-150A	3	5 ¹⁵ / ₁₆	7 ⁷ / ₁₆	5 ¹⁵ / ₁₆	8	26
80AFU27.5	3	19 ³ / ₄	12 ³ / ₁₆	3 ⁷ / ₈	10 ³ / ₁₆	8 ¹ / ₈	5 ⁵ / ₁₆	22 ⁵ / ₁₆	26 ³ / ₁₆	3 ³ / ₈	163	EB3-150A	3	5 ¹⁵ / ₁₆	7 ⁷ / ₁₆	5 ¹⁵ / ₁₆	8	26
80AFU25.5L	3	19 ⁵ / ₁₆	12 ³ / ₁₆	3 ⁷ / ₈	10 ³ / ₁₆	9 ¹ / ₂	7 ⁷ / ₁₆	24 ⁵ / ₁₆	28 ³ / ₄	4 ¹ / ₈	154	EB3-150A	3	5 ¹⁵ / ₁₆	7 ⁷ / ₁₆	5 ¹⁵ / ₁₆	8	26
80AFU27.5L	3	19 ⁵ / ₁₆	12 ³ / ₁₆	3 ⁷ / ₈	10 ³ / ₁₆	9 ¹ / ₂	7 ⁷ / ₁₆	24 ⁵ / ₁₆	28 ³ / ₄	4 ¹ / ₈	168	EB3-150A	3	5 ¹⁵ / ₁₆	7 ⁷ / ₁₆	5 ¹⁵ / ₁₆	8	26

C.W.L.:Continuous Running Water Level
L.W.L.:Lowest Running Water Level

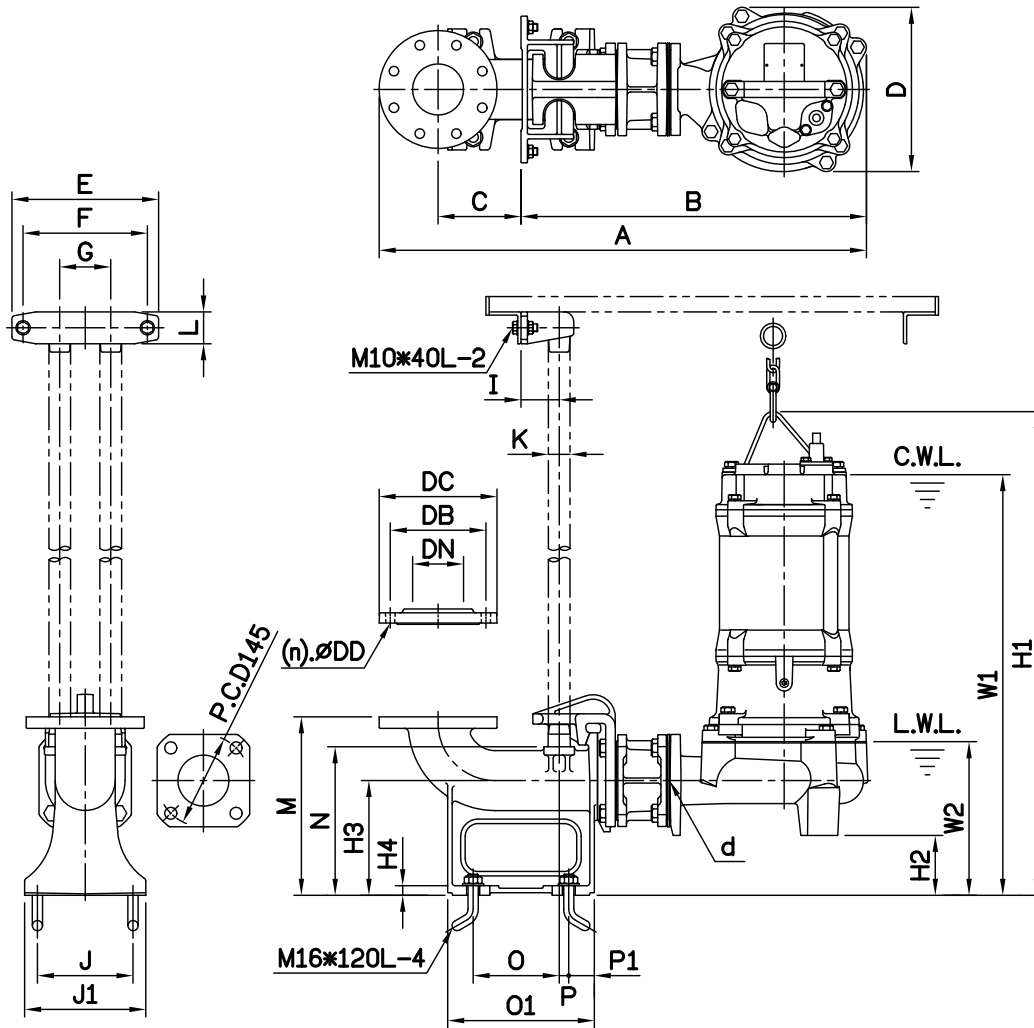
WT1:Pump Weight(Without Cable)
WT2:Elbow Set Weight

DIMENSIONS

NO: T3AFU275030-00

MODEL: 80AFU25.5 / 27.5 / 25.5L / 27.5L

50Hz 3Ø



Flange	
Female Thread	
PT	NPT

Dimensions-mm

Elbow (Flange)Set	DN	DB	DC	DD	(n)QTY
EF3-150	80	150	185	15	8

Dimensions-inch

Elbow (Flange)Set	DN	DB	DC	DD	(n)QTY
EF3-150	3	5 ⁹ / ₁₆	7 ⁵ / ₁₆	⁹ / ₁₆	8

Dimensions-mm

Model	d	A	B	C	D	E	F	G	I	J	J1	K	L	M	N	O	O1	P	P1	W1	W2	H1	H2	H3	H4	WT1	Weight:kg	
																											GRS Set	WT2
80AFU25.5	80	764	542	130	258	230	195	80	60	150	190	1 ¹ / ₄ "	50	280	233	135	230	15	40	660	241	759	94	180	15	68	T80DH	31
80AFU27.5	80	764	542	130	258	230	195	80	60	150	190	1 ¹ / ₄ "	50	280	233	135	230	15	40	660	241	759	94	180	15	74	T80DH	31
80AFU25.5L	80	769	547	130	273	230	195	80	60	150	190	1 ¹ / ₄ "	50	280	233	135	230	15	40	676	257	775	58	180	15	70	T80DH	31
80AFU27.5L	80	769	547	130	273	230	195	80	60	150	190	1 ¹ / ₄ "	50	280	233	135	230	15	40	676	257	775	58	180	15	76	T80DH	31

Dimensions-inch

Model	d	A	B	C	D	E	F	G	I	J	J1	K	L	M	N	O	O1	P	P1	W1	W2	H1	H2	H3	H4	WT1	Weight:lb	
																											GRS Set	WT2
80AFU25.5	3	30 ⁷ / ₁₆	21 ¹ / ₁₆	5 ¹ / ₁₆	10 ³ / ₁₆	9 ¹ / ₁₆	7 ⁵ / ₁₆	3 ¹ / ₁₆	2 ³ / ₁₆	5 ¹⁵ / ₁₆	7 ¹ / ₂	1 ¹ / ₄	2	11	9 ³ / ₁₆	5 ⁵ / ₁₆	9 ¹ / ₁₆	⁹ / ₁₆	1 ¹ / ₁₆	26	9 ¹ / ₂	29 ⁷ / ₁₆	3 ³ / ₁₆	7 ¹ / ₁₆	⁹ / ₁₆	150	T80DH	68
80AFU27.5	3	30 ⁷ / ₁₆	21 ¹ / ₁₆	5 ¹ / ₁₆	10 ³ / ₁₆	9 ¹ / ₁₆	7 ⁵ / ₁₆	3 ¹ / ₁₆	2 ³ / ₁₆	5 ¹⁵ / ₁₆	7 ¹ / ₂	1 ¹ / ₄	2	11	9 ³ / ₁₆	5 ⁵ / ₁₆	9 ¹ / ₁₆	⁹ / ₁₆	1 ¹ / ₁₆	26	9 ¹ / ₂	29 ⁷ / ₁₆	3 ³ / ₁₆	7 ¹ / ₁₆	⁹ / ₁₆	163	T80DH	68
80AFU25.5L	3	30 ⁷ / ₁₆	21 ¹ / ₁₆	5 ¹ / ₁₆	10 ³ / ₁₆	9 ¹ / ₁₆	7 ⁵ / ₁₆	3 ¹ / ₁₆	2 ³ / ₁₆	5 ¹⁵ / ₁₆	7 ¹ / ₂	1 ¹ / ₄	2	11	9 ³ / ₁₆	5 ⁵ / ₁₆	9 ¹ / ₁₆	⁹ / ₁₆	1 ¹ / ₁₆	26 ⁵ / ₁₆	10 ¹ / ₁₆	30 ¹ / ₂	2 ¹ / ₁₆	7 ¹ / ₁₆	⁹ / ₁₆	154	T80DH	68
80AFU27.5L	3	30 ⁷ / ₁₆	21 ¹ / ₁₆	5 ¹ / ₁₆	10 ³ / ₁₆	9 ¹ / ₁₆	7 ⁵ / ₁₆	3 ¹ / ₁₆	2 ³ / ₁₆	5 ¹⁵ / ₁₆	7 ¹ / ₂	1 ¹ / ₄	2	11	9 ³ / ₁₆	5 ⁵ / ₁₆	9 ¹ / ₁₆	⁹ / ₁₆	1 ¹ / ₁₆	26 ⁵ / ₁₆	10 ¹ / ₁₆	30 ¹ / ₂	2 ¹ / ₁₆	7 ¹ / ₁₆	⁹ / ₁₆	168	T80DH	68

C.W.L.:Continuous Running Water Level
L.W.L.:Lowest Running Water Level

WT1:Pump Weight(Without Cable)
WT2:GRS Set Weight

