
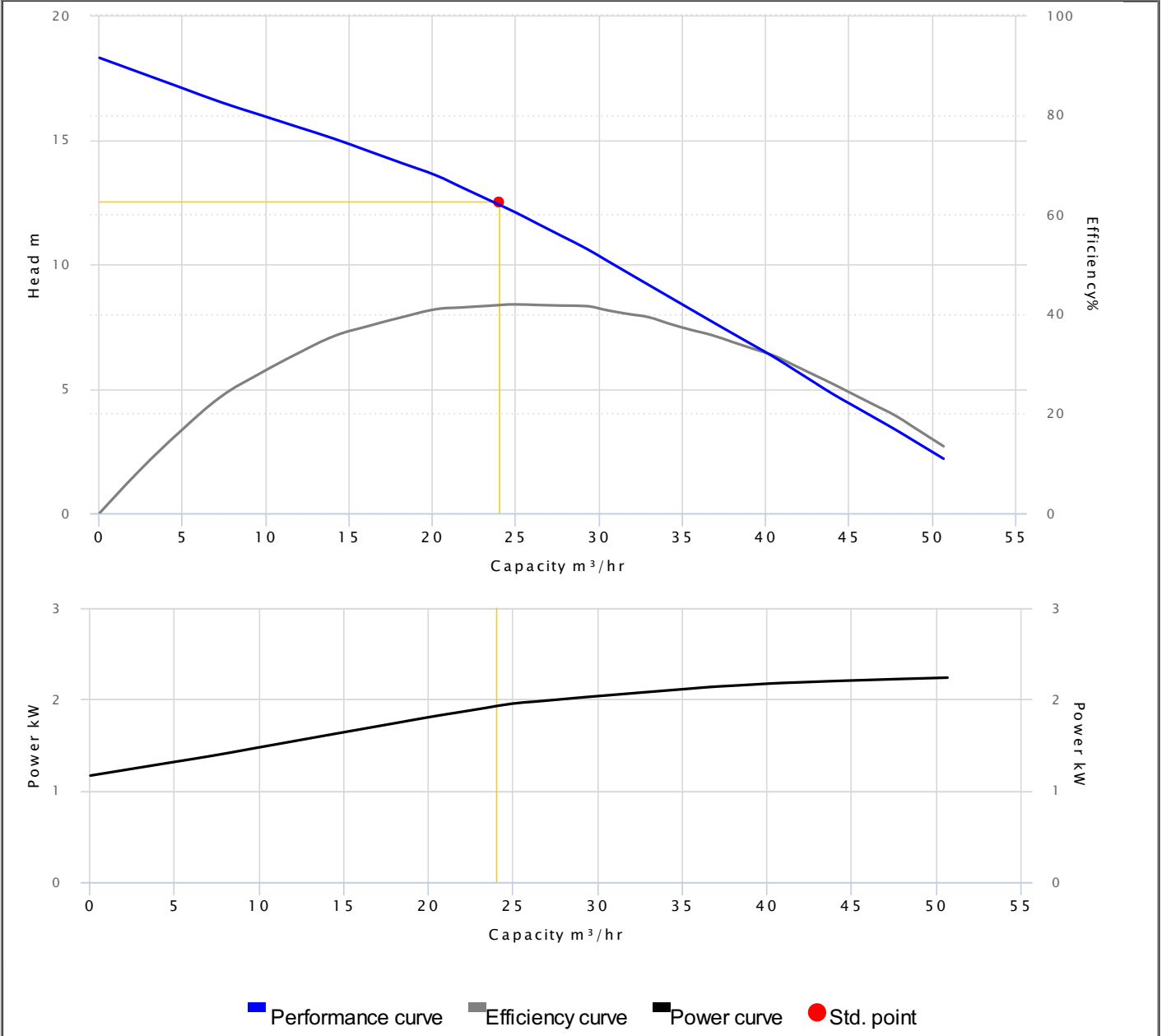




HCP PUMP

PUMP PERFORMANCE CURVES

Model	80AFU22.2		
Frequency	50 Hz		
Discharge	3" / 80 mm		
Power	3 HP / 2.2 kW		
Std. Head	12.5 m		
Std. Capacity	24 m ³ /hr		
Phase/Volt	3 Ø / 380 V		
Rated Current	5.10 A		
rpm	2 P / 2840 rpm		
Start Method	DIRECT		
Insulation Class	F	Efficiency	41.8 %
Solid Passage	50 mm	Output	1.93 kW

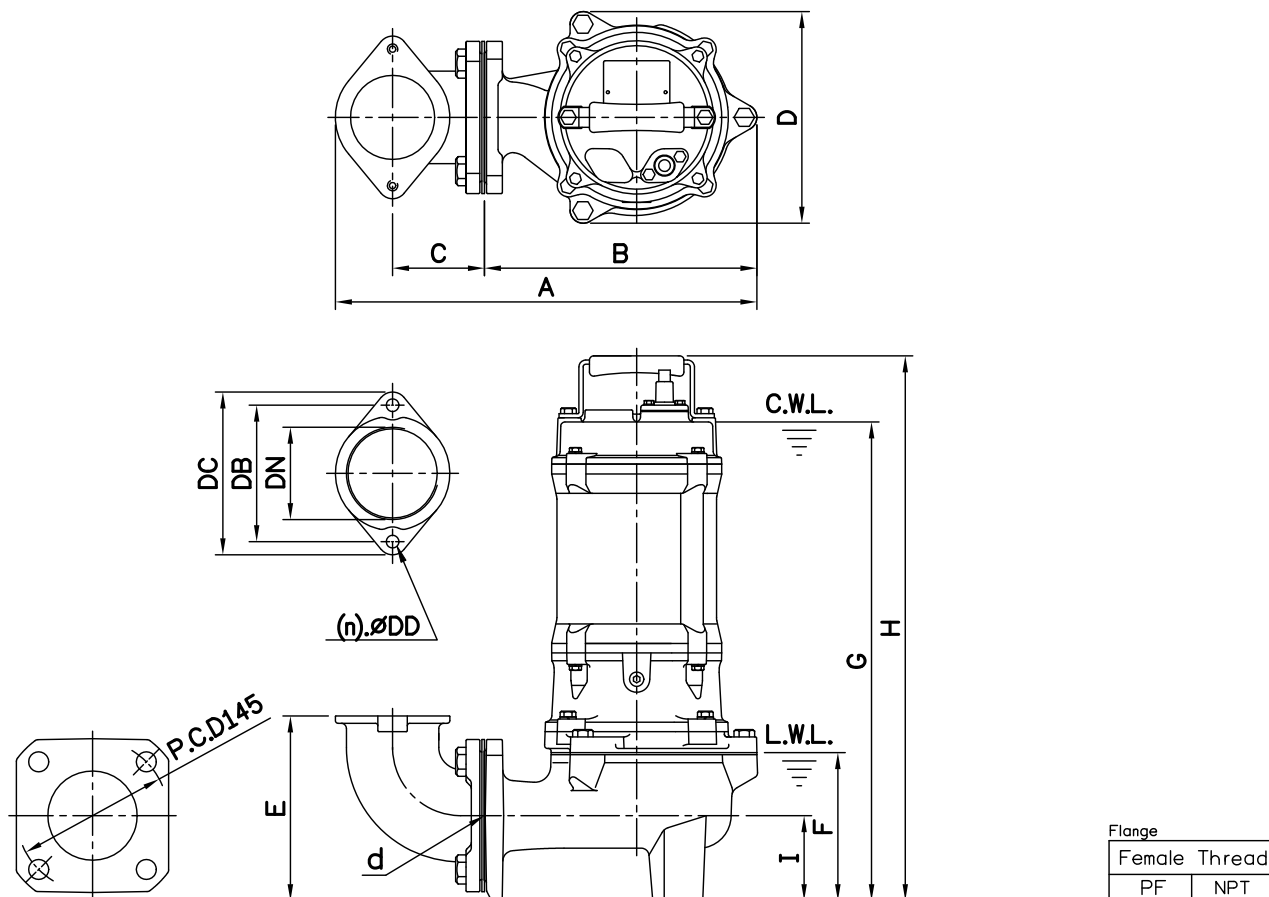


DIMENSIONS

NO: S3AFU222032-00

MODEL: 80AFU21.5 / 22.2 / 21.5L / 22.2L

1Ø / 3Ø



Dimensions—mm

Weight:kg

Model	d	A	B	C	D	E	F	G	H	I	WT1	Elbow (Flange)Set	DN	DB	DC	DD	(n)QTY	WT2
80AFU21.5 1Ø	80	397	260	83	202	171	140	511	574	81	35	EB3-130	80	130	155	12	2	5
80AFU22.2 1Ø	80	397	260	83	202	171	140	538	601	81	38	EB3-130	80	130	155	12	2	5
80AFU21.5L 1Ø	80	402	265	83	221	210	190	563	626	120	38	EB3-130	80	130	155	12	2	5
80AFU22.2L 1Ø	80	402	265	83	221	210	190	590	653	120	40	EB3-130	80	130	155	12	2	5
80AFU21.5 3Ø	80	397	260	83	202	171	140	456	519	81	32	EB3-130	80	130	155	12	2	5
80AFU22.2 3Ø	80	397	260	83	202	171	140	456	519	81	34	EB3-130	80	130	155	12	2	5
80AFU21.5L 3Ø	80	402	265	83	221	210	190	508	571	120	34	EB3-130	80	130	155	12	2	5
80AFU22.2L 3Ø	80	402	265	83	221	210	190	508	571	120	36	EB3-130	80	130	155	12	2	5

Dimensions—inch

Weight:lb

Model	d	A	B	C	D	E	F	G	H	I	WT1	Elbow (Flange)Set	DN	DB	DC	DD	(n)QTY	WT2
80AFU21.5 1Ø	3	15 ⁵ / ₁₆	10 ¹ / ₄	3 ³ / ₄	7 ¹⁵ / ₁₆	6 ³ / ₄	5 ¹ / ₂	20 ⁵ / ₁₆	22 ⁵ / ₁₆	3 ³ / ₁₆	77	EB3-130	3	5 ¹ / ₈	6 ¹ / ₈	1 ¹ / ₂	2	11
80AFU22.2 1Ø	3	15 ⁵ / ₁₆	10 ¹ / ₄	3 ³ / ₄	7 ¹⁵ / ₁₆	6 ³ / ₄	5 ¹ / ₂	21 ³ / ₁₆	23 ¹ / ₁₆	3 ³ / ₁₆	84	EB3-130	3	5 ¹ / ₈	6 ¹ / ₈	1 ¹ / ₂	2	11
80AFU21.5L 1Ø	3	15 ⁵ / ₁₆	10 ¹ / ₁₆	3 ³ / ₄	8 ¹¹ / ₁₆	8 ¹ / ₄	7 ¹ / ₂	22 ³ / ₁₆	24 ⁷ / ₁₆	4 ³ / ₄	84	EB3-130	3	5 ¹ / ₈	6 ¹ / ₈	1 ¹ / ₂	2	11
80AFU22.2L 1Ø	3	15 ⁵ / ₁₆	10 ¹ / ₁₆	3 ³ / ₄	8 ¹¹ / ₁₆	8 ¹ / ₄	7 ¹ / ₂	23 ³ / ₁₆	25 ¹ / ₁₆	4 ³ / ₄	88	EB3-130	3	5 ¹ / ₈	6 ¹ / ₈	1 ¹ / ₂	2	11
80AFU21.5 3Ø	3	15 ⁵ / ₁₆	10 ¹ / ₄	3 ³ / ₄	7 ¹⁵ / ₁₆	6 ³ / ₄	5 ¹ / ₂	17 ⁷ / ₁₆	20 ³ / ₁₆	3 ³ / ₁₆	71	EB3-130	3	5 ¹ / ₈	6 ¹ / ₈	1 ¹ / ₂	2	11
80AFU22.2 3Ø	3	15 ⁵ / ₁₆	10 ¹ / ₄	3 ³ / ₄	7 ¹⁵ / ₁₆	6 ³ / ₄	5 ¹ / ₂	17 ⁷ / ₁₆	20 ³ / ₁₆	3 ³ / ₁₆	75	EB3-130	3	5 ¹ / ₈	6 ¹ / ₈	1 ¹ / ₂	2	11
80AFU21.5L 3Ø	3	15 ⁵ / ₁₆	10 ¹ / ₁₆	3 ³ / ₄	8 ¹¹ / ₁₆	8 ¹ / ₄	7 ¹ / ₂	20	22 ¹ / ₂	4 ³ / ₄	75	EB3-130	3	5 ¹ / ₈	6 ¹ / ₈	1 ¹ / ₂	2	11
80AFU22.2L 3Ø	3	15 ⁵ / ₁₆	10 ¹ / ₁₆	3 ³ / ₄	8 ¹¹ / ₁₆	8 ¹ / ₄	7 ¹ / ₂	20	22 ¹ / ₂	4 ³ / ₄	79	EB3-130	3	5 ¹ / ₈	6 ¹ / ₈	1 ¹ / ₂	2	11

C.W.L.:Continuous Running Water Level
L.W.L.:Lowest Running Water Level

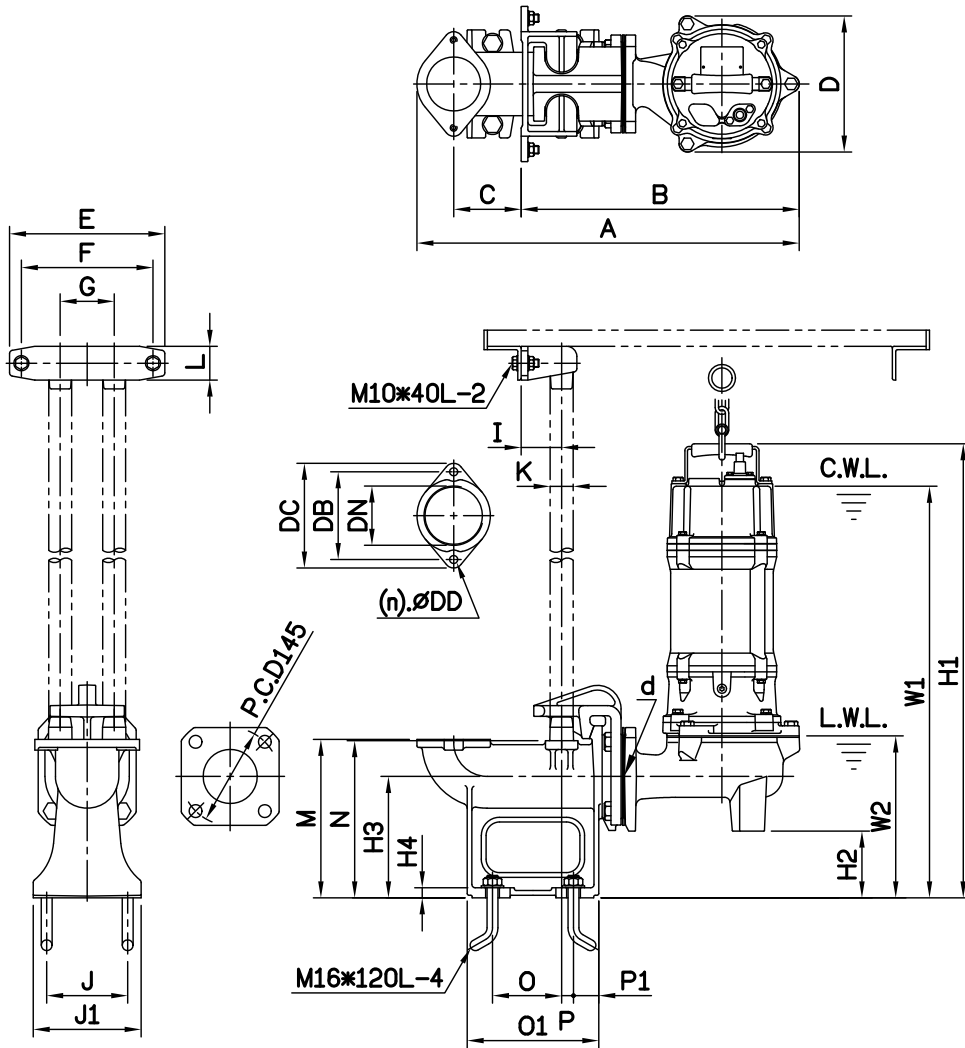
WT1:Pump Weight(Without Cable)
WT2:Elbow Set Weight

DIMENSIONS

NO: T3AFU222032-00

MODEL: 80AFU21.5 / 22.2 / 21.5L / 22.2L

1Ø / 3Ø



Flange	
Female Thread	
PF	NPT

Dimensions-mm

Elbow (Flange)Set	DN	DB	DC	DD	(n)QTY
EF3-130	80	130	155	12	2

Dimensions-inch

Elbow (Flange)Set	DN	DB	DC	DD	(n)QTY
EF3-130	3	5 1/8	6 1/8	1/2	2

Dimensions-mm

Model	d	A	B	C	D	E	F	G	I	J	J1	K	L	M	N	O	O1	P	P1	W1	W2	H1	H2	H3	H4	WT1	GRS Set	WT2
80AFU21.5 1Ø	80	567	412	100	202	230	195	80	60	120	160	1 1/4"	50	235	233	103	195	18	38	610	239	673	99	180	15	35	T2-80	20
80AFU22.2 1Ø	80	567	412	100	202	230	195	80	60	120	160	1 1/4"	50	235	233	103	195	18	38	637	239	700	99	180	15	38	T2-80	20
80AFU21.5L 1Ø	80	572	417	100	221	230	195	80	60	120	160	1 1/4"	50	235	233	103	195	18	38	623	250	686	60	180	15	38	T2-80	20
80AFU22.2L 1Ø	80	572	417	100	221	230	195	80	60	120	160	1 1/4"	50	235	233	103	195	18	38	650	250	713	60	180	15	40	T2-80	20
80AFU21.5 3Ø	80	567	412	100	202	230	195	80	60	120	160	1 1/4"	50	235	233	103	195	18	38	555	239	618	99	180	15	32	T2-80	20
80AFU22.2 3Ø	80	567	412	100	202	230	195	80	60	120	160	1 1/4"	50	235	233	103	195	18	38	555	239	618	99	180	15	34	T2-80	20
80AFU21.5L 3Ø	80	572	417	100	221	230	195	80	60	120	160	1 1/4"	50	235	233	103	195	18	38	568	250	631	60	180	15	34	T2-80	20
80AFU22.2L 3Ø	80	572	417	100	221	230	195	80	60	120	160	1 1/4"	50	235	233	103	195	18	38	568	250	631	60	180	15	36	T2-80	20

Weight:kg

Dimensions-inch

Model	d	A	B	C	D	E	F	G	I	J	J1	K	L	M	N	O	O1	P	P1	W1	W2	H1	H2	H3	H4	WT1	GRS Set	WT2
80AFU21.5 1Ø	3	22 1/8	16 1/4	3 15/16	7 15/16	9 1/16	7 1/16	3 1/8	2 3/8	4 3/4	6 5/16	1 1/4	2	9 1/4	9 3/16	4 1/16	7 11/16	1 1/8	1 1/2	24	9 1/16	26 1/2	3 7/8	7 1/8	9/16	77	T2-80	43
80AFU22.2 1Ø	3	22 1/8	16 1/4	3 15/16	7 15/16	9 1/16	7 1/16	3 3/8	2 3/8	4 3/4	6 5/16	1 1/4	2	9 1/4	9 3/16	4 1/16	7 11/16	1 1/8	1 1/2	25 1/16	9 1/16	27 3/8	3 7/8	7 1/8	9/16	84	T2-80	43
80AFU21.5L 1Ø	3	22 1/2	16 3/8	3 15/16	8 7/16	9 1/16	7 1/16	3 3/8	2 3/8	4 3/4	6 5/16	1 1/4	2	29 1/4	9 3/16	4 1/16	7 11/16	1 1/8	1 1/2	24 1/2	9 13/16	27	2 3/8	7 1/8	9/16	84	T2-80	43
80AFU22.2L 1Ø	3	22 1/2	16 3/8	3 15/16	8 7/16	9 1/16	7 1/16	3 3/8	2 3/8	4 3/4	6 5/16	1 1/4	2	9 1/4	9 3/16	4 1/16	7 11/16	1 1/8	1 1/2	25 1/16	9 13/16	28 1/8	2 3/8	7 1/8	9/16	88	T2-80	43
80AFU21.5 3Ø	3	22 1/8	16 1/4	3 15/16	7 15/16	9 1/16	7 1/16	3 3/8	2 3/8	4 3/4	6 5/16	1 1/4	2	9 1/4	9 3/16	4 1/16	7 11/16	1 1/8	1 1/2	21 1/8	9 1/16	24 1/8	3 7/8	7 1/8	9/16	71	T2-80	43
80AFU22.2 3Ø	3	22 1/8	16 1/4	3 15/16	7 15/16	9 1/16	7 1/16	3 3/8	2 3/8	4 3/4	6 5/16	1 1/4	2	9 1/4	9 3/16	4 1/16	7 11/16	1 1/8	1 1/2	21 1/8	9 1/16	24 1/8	3 7/8	7 1/8	9/16	75	T2-80	43
80AFU21.5L 3Ø	3	22 1/2	16 3/8	3 15/16	8 7/16	9 1/16	7 1/16	3 3/8	2 3/8	4 3/4	6 5/16	1 1/4	2	9 1/4	9 3/16	4 1/16	7 11/16	1 1/8	1 1/2	22 3/8	9 13/16	24 3/8	2 3/8	7 1/8	9/16	75	T2-80	43
80AFU22.2L 3Ø	3	22 1/2	16 3/8	3 15/16	8 7/16	9 1/16	7 1/16	3 3/8	2 3/8	4 3/4	6 5/16	1 1/4	2	9 1/4	9 3/16	4 1/16	7 11/16	1 1/8	1 1/2	22 3/8	9 13/16	24 3/8	2 3/8	7 1/8	9/16	79	T2-80	43

Weight:lb

C.W.L.:Continuous Running Water Level
L.W.L.:Lowest Running Water Level

WT1:Pump Weight(Without Cable)
WT2:GRS Set Weight

