

Model	80(100)SA27.5
Series	SA
Frequency	50
Phase	3
Discharge	80 mm (3")



Motor Data

Input Power—P1	8.8 kW
Rated Power—P2	7.5 kW
Insulation Class	H
Voltage Range	200~525V
Max. Starts Per Hour	5
Rated Speed (rpm)	2900
Start Method	DOL
Ingress Protection Code	DOL
Explosion-Proof	IP68

Technology

Impeller Type	Open
Mechanical Seal	Double
Lubricating Oil VG32	2000 CC
Solid Passage	20 mm
Cooling Type	External cooling

Material

Motor Frame	SUS316 (AISI 316)
Shaft	SUS316 (X5CrNiMo17-12-2)
Casing	SCS14 (G-X6CrNiMo1810)
Impeller	SCS14 (G-X6CrNiMo1810)
Mechanical Seal	CA/CE&SiC/SiC
Cable	VCT,H07RN-F
Upper and Lower Bearing	6306ZZ,6309ZZ

Liquid

Maximum Ambient Temperature	0~40°C (32~104°F)
Maximum Installation Depth	20m (66ft)
Highest Liquid Temperature	40 °C (104°F)
Liquid Transported	Acid and alkali sewage

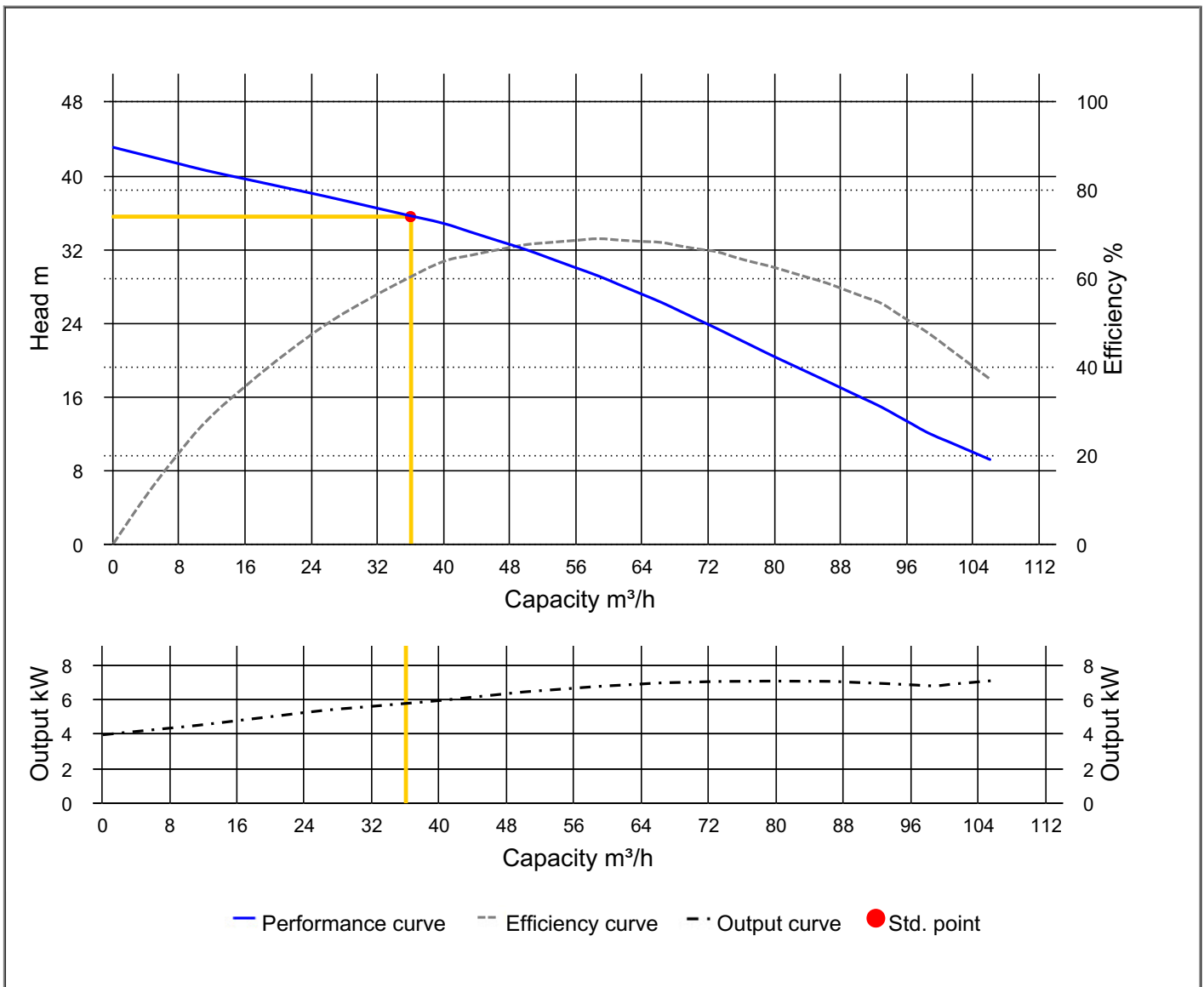
Others

Protection Device	Auto-cut Protector
Moisture Sensor	



HCP PUMP

PUMP PERFORMANCE CURVES			
Model	80(100)SA27.5	File NO.	20210210215753
Frequency	50 Hz	Ver NO.	202003060911
Discharge	3" / 80 mm	REFERENCE SPECIFICATION	
Output	10 HP / 7.5 kW		
Std. Head	35.5 m	Output	5.73 kW
Std. Capacity	36 m ³ /h	Efficiency	60.4 %
Phase / Volt	3 Ø / 380 V		
Rated Current	15.70 A		
Pole / rpm	2 P / 2900 rpm		
Start Method	DOL		
Insulation Class	H		

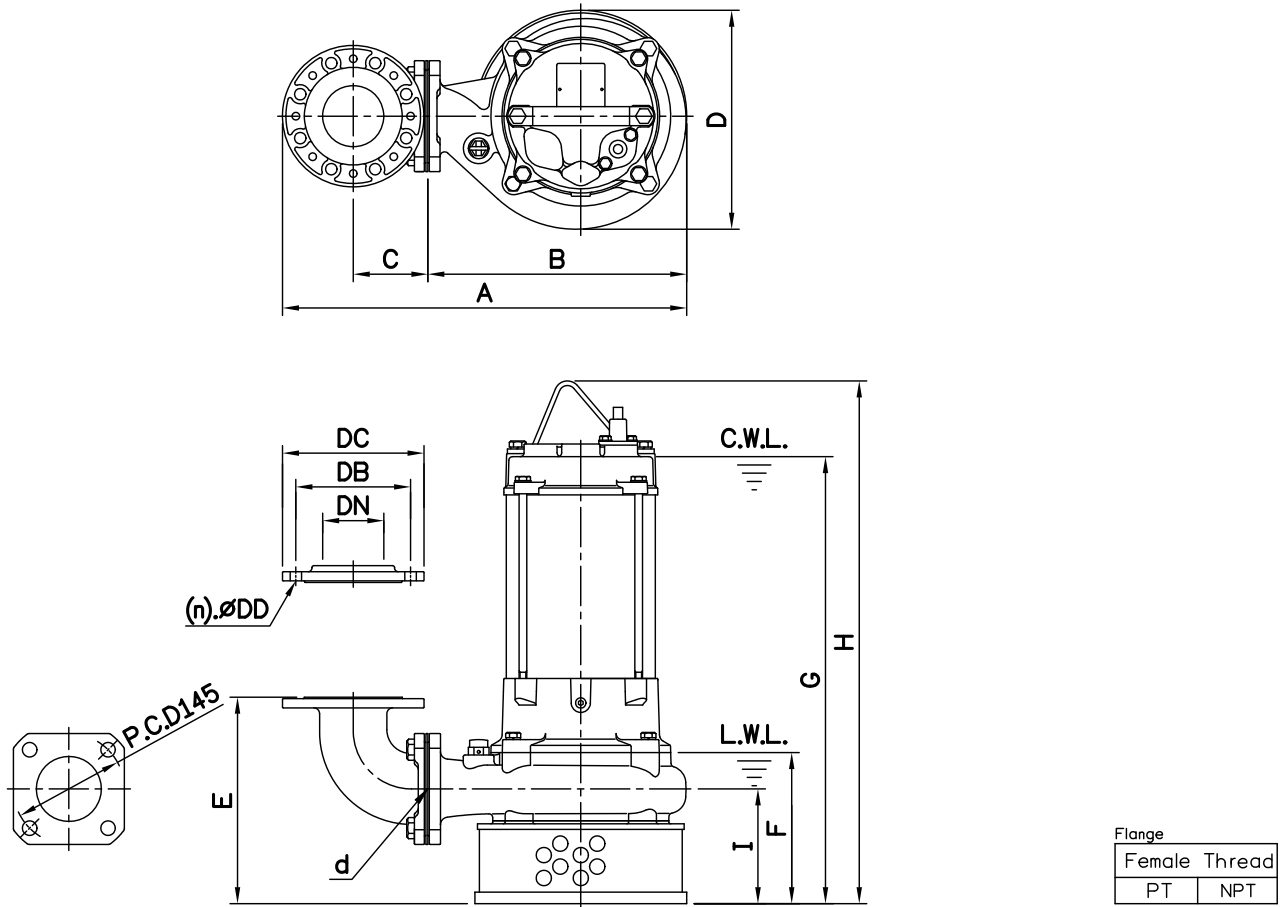


DIMENSIONS

NO: S3SA0275030-00

MODEL: 80(100)SA25.5 / 27.5

50Hz 3Ø



Dimensions—mm

Weight:kg

Model	d	A	B	C	D	E	F	G	H	I	WT1	Elbow (Flange)Set	DN	DB	DC	DD	(n)QTY	WT2
80(100)SA25.5	80	528	338	98	286	271	198	585	684	151	67	ESB3-150K	80	150	185	15	8	7
80(100)SA25.5	80	556	338	113	286	276	198	585	684	151	67	ESB4-175(145)K	100	175	210	15	8	10
80(100)SA27.5	80	528	338	98	286	271	198	585	684	151	73	ESB3-150K	80	150	185	15	8	7
80(100)SA27.5	80	556	338	113	286	276	198	585	684	151	73	ESB4-175(145)K	100	175	210	15	8	10

Dimensions—inch

Weight:lb

Model	d	A	B	C	D	E	F	G	H	I	WT1	Elbow (Flange)Set	DN	DB	DC	DD	(n)QTY	WT2
80(100)SA25.5	3	20 ³ / ₈	13 ⁵ / ₁₆	3 ³ / ₈	11 ¹ / ₄	10 ¹ / ₂	7 ⁷ / ₁₆	23 ¹ / ₁₆	26 ³ / ₁₆	5 ⁵ / ₁₆	148	ESB3-150K	3	5 ⁷ / ₈	7 ¹ / ₁₆	¹ / ₂	8	16
80(100)SA25.5	3	21 ⁷ / ₈	13 ⁵ / ₁₆	4 ¹ / ₁₆	11 ¹ / ₄	10 ⁷ / ₁₆	7 ⁷ / ₁₆	23 ¹ / ₁₆	26 ³ / ₁₆	5 ⁵ / ₁₆	148	ESB4-175(145)K	4	6 ⁷ / ₈	8 ¹ / ₄	¹ / ₂	8	21
80(100)SA27.5	3	20 ³ / ₈	13 ⁵ / ₁₆	3 ³ / ₈	11 ¹ / ₄	10 ¹ / ₂	7 ⁷ / ₁₆	23 ¹ / ₁₆	26 ³ / ₁₆	5 ⁵ / ₁₆	161	ESB3-150K	3	5 ⁷ / ₈	7 ¹ / ₁₆	¹ / ₂	8	16
80(100)SA27.5	3	21 ⁷ / ₈	13 ⁵ / ₁₆	4 ¹ / ₁₆	11 ¹ / ₄	10 ⁷ / ₁₆	7 ⁷ / ₁₆	23 ¹ / ₁₆	26 ³ / ₁₆	5 ⁵ / ₁₆	161	ESB4-175(145)K	4	6 ⁷ / ₈	8 ¹ / ₄	¹ / ₂	8	21

C.W.L.:Continuous Running Water Level
L.W.L.:Lowest Running Water Level

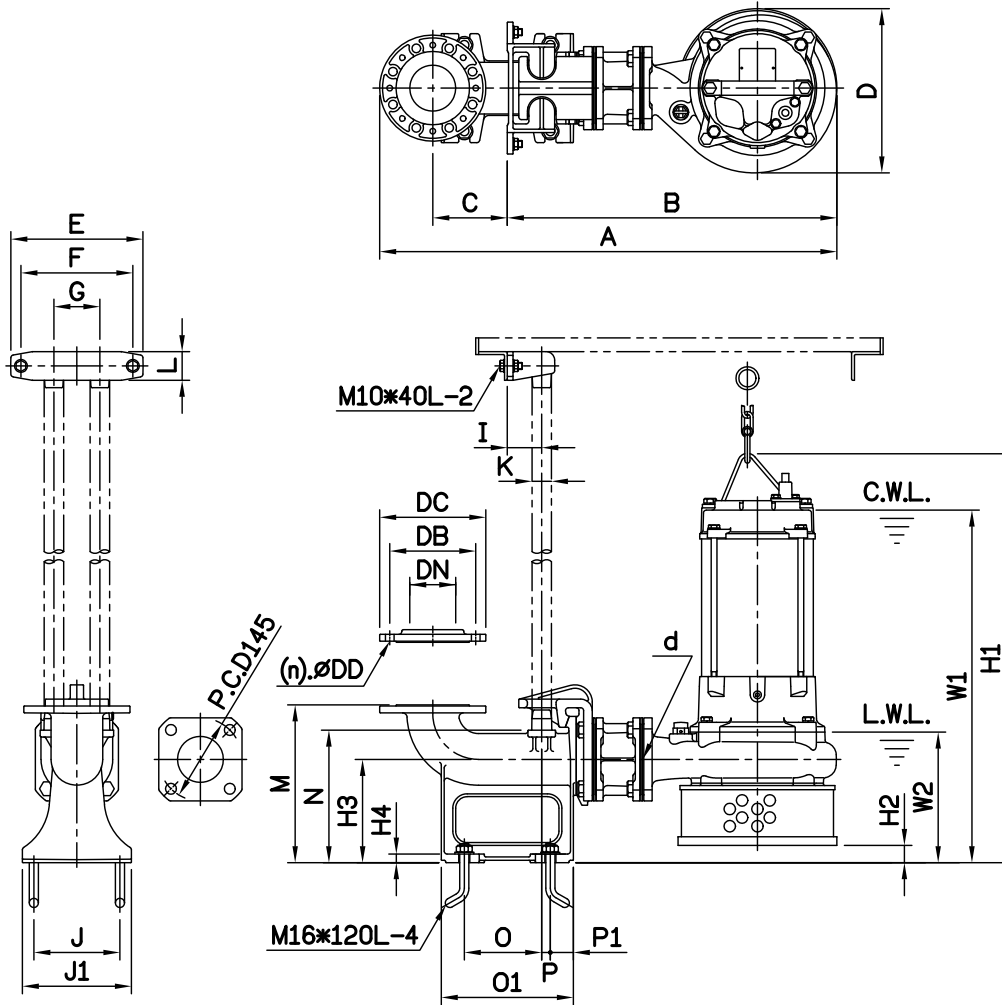
WT1:Pump Weight(Without Cable)
WT2:Elbow Set Weight

DIMENSIONS

NO: T3SA0275030-00

MODEL: 80(100)SA25.5 / 27.5

50Hz 3Ø



Flange	
Female Thread	
PT	NPT

Dimensions-mm

Elbow (Flange)Set	DN	DB	DC	DD	(n)QTY
ESF3-150	80	150	185	15	8
ESF4-175	100	175	210	15	8

Dimensions-inch

Elbow (Flange)Set	DN	DB	DC	DD	(n)QTY
ESF3-150	3	5 ⁷ / ₈	7 ³ / ₈	5 ¹ / ₈	8
ESF4-175	4	6 ⁷ / ₈	8 ¹ / ₄	5 ¹ / ₈	8

Dimensions-mm

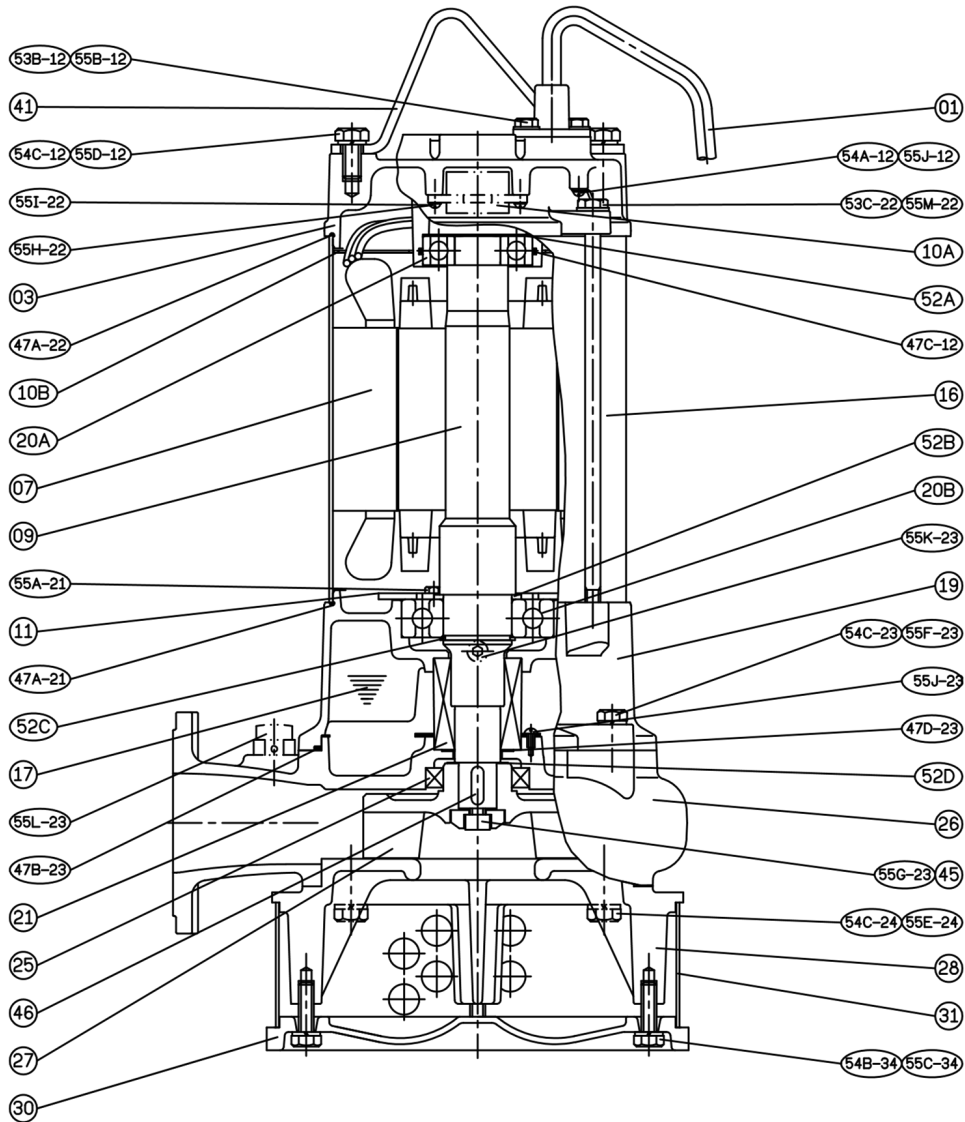
Model	d	A	B	C	D	E	F	G	I	J	J1	K	L	M	N	O	O1	P	P1	W1	W2	H1	H2	H3	H4	WT1	Weight:kg	
																											GRS Set	WT2
80(100)SA25.5	80	797	574	130	286	230	195	80	60	150	190	1 ¹ / ₄	50	275	231	135	230	15	40	615	228	714	30	180	15	67	ST80DH	25
80(100)SA27.5	80	797	574	130	286	230	195	80	60	150	190	1 ¹ / ₄	50	275	231	135	230	15	40	615	228	714	30	180	15	73	ST80DH	25
80(100)SA25.5	80	829	574	150	286	230	195	80	60	170	210	1 ¹ / ₄	50	285	231	155	250	15	40	615	228	714	30	180	15	67	ST100(80)BH	28
80(100)SA27.5	80	829	574	150	286	230	195	80	60	170	210	1 ¹ / ₄	50	285	231	155	250	15	40	615	228	714	30	180	15	73	ST100(80)BH	28

Dimensions-inch

Model	d	A	B	C	D	E	F	G	I	J	J1	K	L	M	N	O	O1	P	P1	W1	W2	H1	H2	H3	H4	WT1	Weight:lb		
																											GRS Set	WT2	
80(100)SA25.5	3	31 ³ / ₈	22 ³ / ₈	5 ¹ / ₈	11 ¹ / ₄	9 ¹ / ₈	7 ⁷ / ₈	3 ¹ / ₈	2 ³ / ₈	5 ⁵ / ₈	7 ¹ / ₂	1 ¹ / ₄	2	10 ³ / ₈	9 ¹ / ₈	5 ³ / ₈	9 ¹ / ₈	5 ¹ / ₈	1 ¹ / ₈	1 ¹ / ₈	24 ³ / ₈	9	28 ¹ / ₂	1 ³ / ₈	7 ¹ / ₈	5 ¹ / ₈	148	ST80DH	55
80(100)SA27.5	3	31 ³ / ₈	22 ³ / ₈	5 ¹ / ₈	11 ¹ / ₄	9 ¹ / ₈	7 ⁷ / ₈	3 ¹ / ₈	2 ³ / ₈	5 ⁵ / ₈	7 ¹ / ₂	1 ¹ / ₄	2	10 ³ / ₈	9 ¹ / ₈	5 ³ / ₈	9 ¹ / ₈	5 ¹ / ₈	1 ¹ / ₈	1 ¹ / ₈	24 ³ / ₈	9	28 ¹ / ₂	1 ³ / ₈	7 ¹ / ₈	5 ¹ / ₈	161	ST80DH	55
80(100)SA25.5	3	32 ³ / ₈	22 ³ / ₈	5 ¹⁵ / ₈	11 ¹ / ₄	9 ¹ / ₈	7 ⁷ / ₈	3 ¹ / ₈	2 ³ / ₈	6 ³ / ₈	8 ¹ / ₄	1 ¹ / ₄	2	11 ¹ / ₄	9 ¹ / ₈	6 ¹ / ₈	9 ¹³ / ₈	5 ¹ / ₈	1 ¹ / ₈	1 ¹ / ₈	24 ³ / ₈	9	28 ³ / ₈	1 ³ / ₈	7 ¹ / ₈	5 ¹ / ₈	148	ST100(80)BH	62
80(100)SA27.5	3	32 ³ / ₈	22 ³ / ₈	5 ¹⁵ / ₈	11 ¹ / ₄	9 ¹ / ₈	7 ⁷ / ₈	3 ¹ / ₈	2 ³ / ₈	6 ³ / ₈	8 ¹ / ₄	1 ¹ / ₄	2	11 ¹ / ₄	9 ¹ / ₈	6 ¹ / ₈	9 ¹³ / ₈	5 ¹ / ₈	1 ¹ / ₈	1 ¹ / ₈	24 ³ / ₈	9	28 ³ / ₈	1 ³ / ₈	7 ¹ / ₈	5 ¹ / ₈	161	ST100(80)BH	62

C.W.L.:Continuous Running Water Level
L.W.L.:Lowest Running Water Level

WT1:Pump Weight(Without Cable)
WT2:GRS Set Weight



NO.	Part name	Material	QTY
01	Cable		1
03	Upper Cover	SCS14	1
07	Stator		1
09	Shaft End	SUS316	1
10A	Auto-cut Protector		1
10B	Protective Plate		1
11	Bearing Fixer	SPCC	1
16	Motor Frame	SUS316	1
17	Lubricant		
19	Bearing Bracket	SCS14	1
20A	Bearing		1
20B	Bearing		1
21	M. Seal	CA/CE & SiC/SiC	1
23	M. Seal Bracket	SCS14	1

NO.	Part name	Material	QTY
25	Oil Seal	NBR	1
26	Casing	SCS14	1
27	Impeller	SCS14	1
28	Casing Cover	SCS14	1
30	Footing	SCS14	1
31	Strainer	SUS316	1
41	Handle	SUS304	1
46	Impeller Key	SUS304	1
47	Gasket Kit		