

Model	80(100)SA211
Series	SA
Frequency	50
Phase	3
Discharge	80 mm (3")



Motor Data

Input Power—P1	12.8 kW
Rated Power—P2	11 kW
Insulation Class	H
Voltage Range	200~525V
Max. Starts Per Hour	5
Rated Speed (rpm)	2900
Start Method	STAR-DELTA / DOL
Ingress Protection Code	STAR-DELTA/DOL
Explosion-Proof	IP68

Technology

Impeller Type	Open
Mechanical Seal	Double
Lubricating Oil VG32	2000 CC
Solid Passage	20 mm
Cooling Type	External cooling

Material

Motor Frame	SUS316 (AISI 316)
Shaft	SUS630 (X5CrNiCuNb17-4)
Casing	SCS14 (G-X6CrNiMo1810)
Impeller	SCS14 (G-X6CrNiMo1810)
Mechanical Seal	CA/CE&SiC/SiC
Cable	VCT
Upper and Lower Bearing	6306ZZ,6309ZZ

Liquid

Maximum Ambient Temperature	0~40°C (32~104°F)
Maximum Installation Depth	20m (66ft)
Highest Liquid Temperature	40 °C (104°F)
Liquid Transported	Acid and alkali sewage

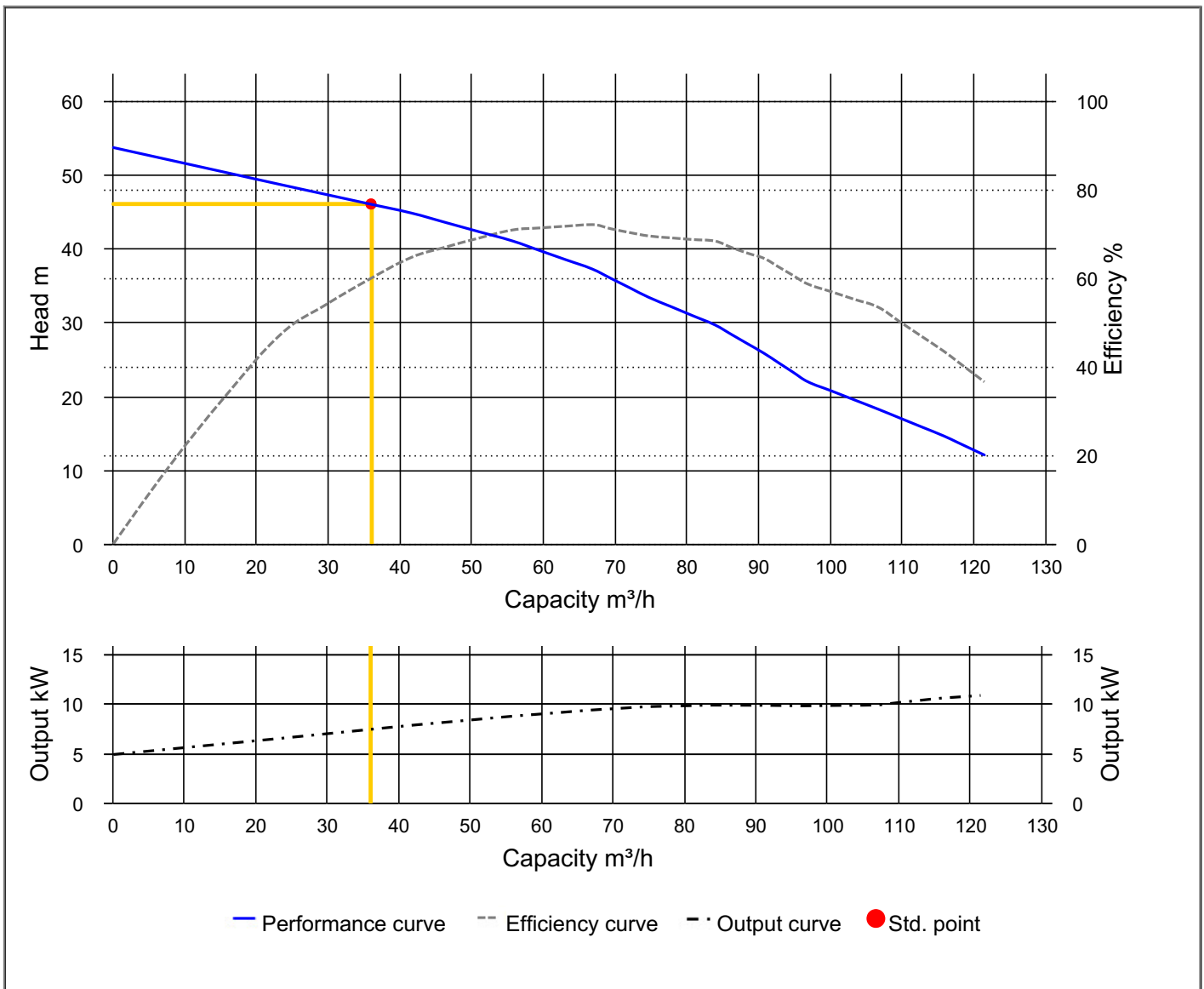
Others

Protection Device	Motor Thermal Sensor
Moisture Sensor	Moisture Sensor



HCP PUMP

PUMP PERFORMANCE CURVES			
Model	80(100)SA211	File NO.	20210210220222
Frequency	50 Hz	Ver NO.	202003060911
Discharge	3" / 80 mm	REFERENCE SPECIFICATION	
Output	15 HP / 11 kW		
Std. Head	46 m	Efficiency	60.1 %
Std. Capacity	36 m ³ /h		
Phase / Volt	3 Ø / 380 V		
Rated Current	22.20 A		
Pole / rpm	2 P / 2900 rpm		
Start Method	STAR-DELTA / DOL		
Insulation Class	H		

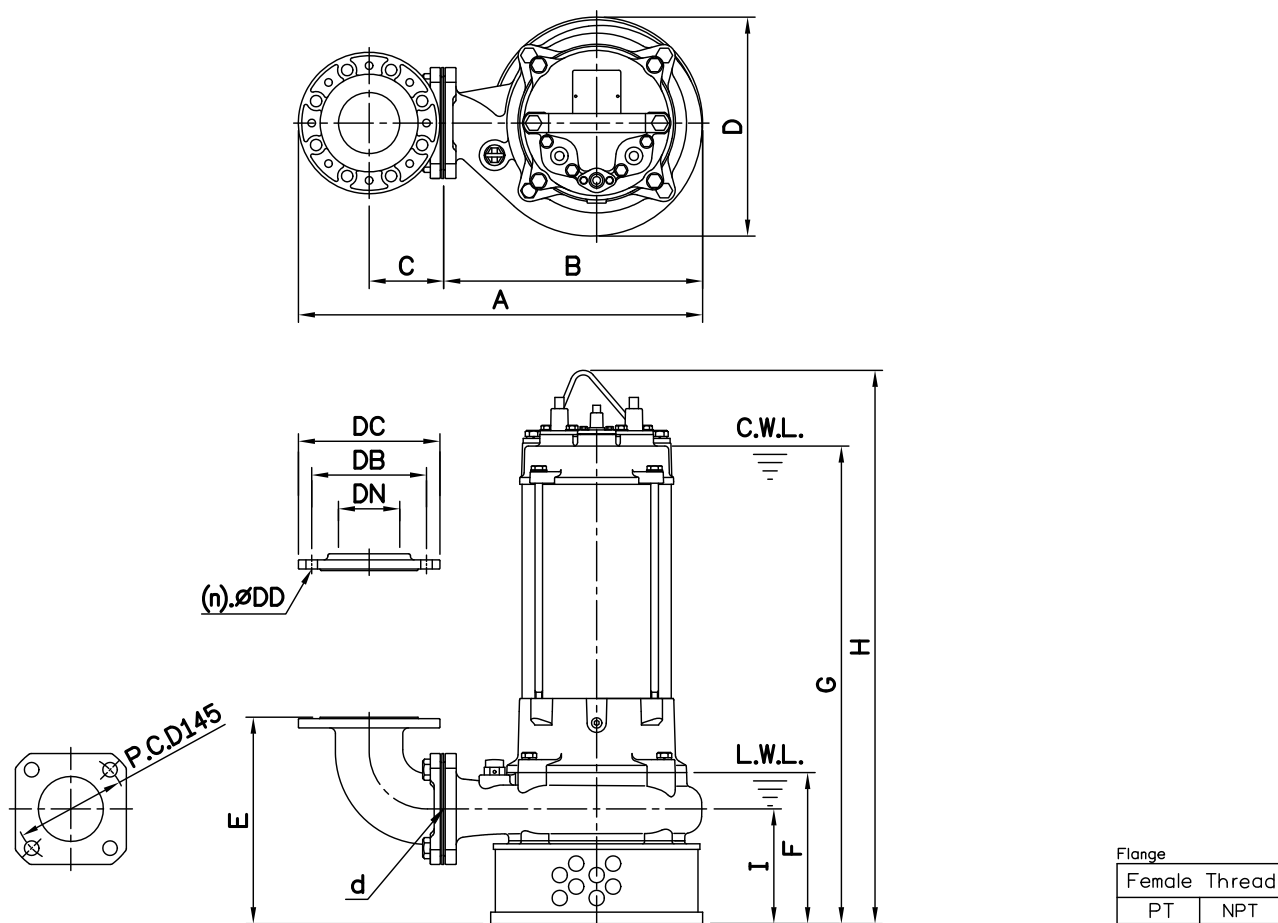


DIMENSIONS

NO: S3SA02A1030-00

MODEL: 80(100)SA211

50Hz 3Ø



Dimensions—mm

Weight:kg

Model	d	A	B	C	D	E	F	G	H	I	WT1	Elbow (Flange)Set	DN	DB	DC	DD	(n)QTY	WT2
80(100)SA211	80	528	338	98	286	271	198	625	724	151	82	ESB3-150K	80	150	185	15	8	7
80(100)SA211	80	556	338	113	286	276	198	625	724	151	82	ESB4-175(145)K	100	175	210	15	8	10

Dimensions—inch

Weight:lb

Model	d	A	B	C	D	E	F	G	H	I	WT1	Elbow (Flange)Set	DN	DB	DC	DD	(n)QTY	WT2
80(100)SA211	3	20 ³ / ₈	13 ⁵ / ₈	3 ⁷ / ₈	11 ¹ / ₄	10 ¹³ / ₁₆	7 ⁷ / ₈	24 ⁵ / ₈	28 ¹ / ₂	5 ⁵ / ₈	181	ESB3-150K	3	5 ¹⁵ / ₈	7 ⁵ / ₈	3 ¹⁵ / ₁₆	8	16
80(100)SA211	3	21 ¹ / ₈	13 ⁵ / ₈	4 ⁷ / ₁₆	11 ¹ / ₄	10 ¹³ / ₁₆	7 ⁷ / ₈	24 ⁵ / ₈	28 ¹ / ₂	5 ⁵ / ₈	181	ESB4-175(145)K	4	6 ³ / ₈	8 ¹ / ₄	3 ¹⁵ / ₁₆	8	21

C.W.L.:Continuous Running Water Level
L.W.L.:Lowest Running Water Level

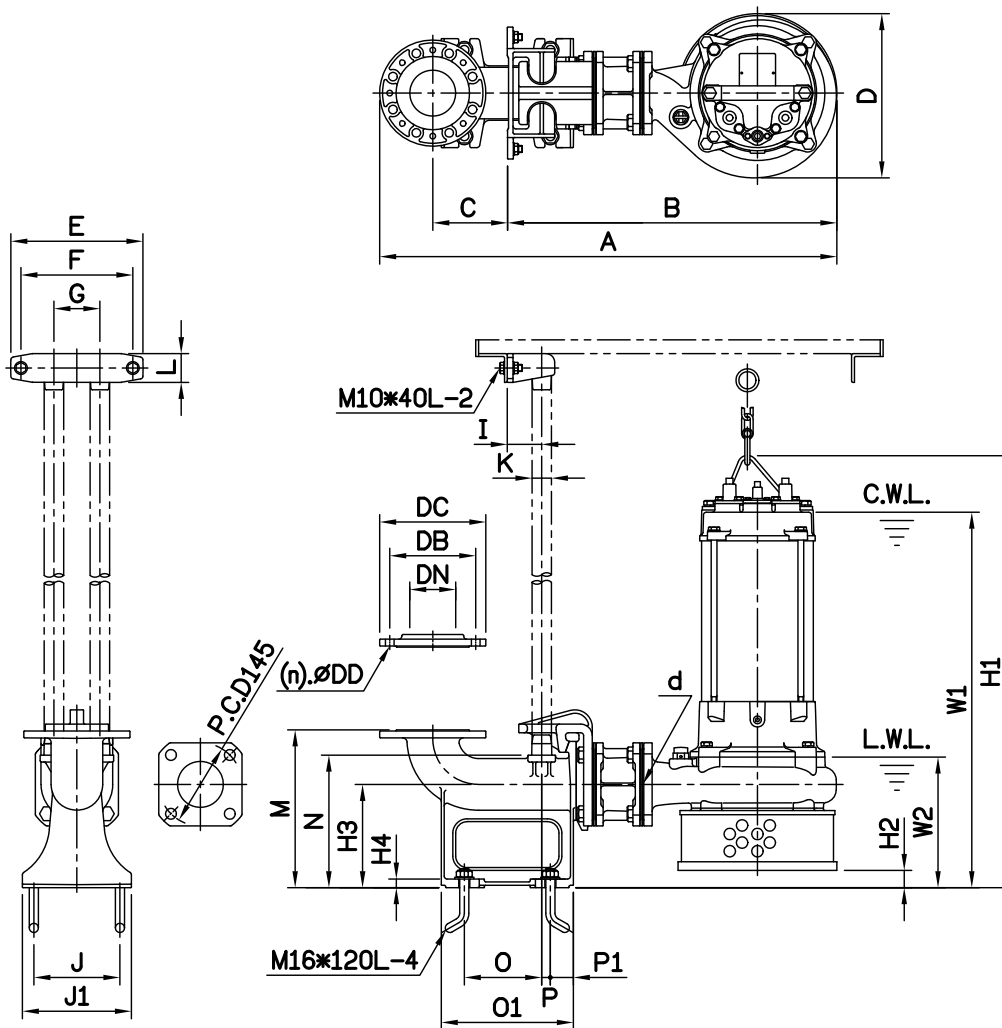
WT1:Pump Weight(Without Cable)
WT2:Elbow Set Weight

DIMENSIONS

NO: T3SA02A1030-00

MODEL: 80(100)SA211

50Hz 3Ø



Flange	
Female Thread	
PT	NPT

Dimensions-mm

Elbow (Flange)Set	DN	DB	DC	DD	(n)QTY
ESF3-150	80	150	185	15	8
ESF4-175	100	175	210	15	8

Dimensions-inch

Elbow (Flange)Set	DN	DB	DC	DD	(n)QTY
ESF3-150	3	5 ⁷ / ₈	7 ⁵ / ₈	⁵ / ₈	8
ESF4-175	4	6 ⁷ / ₈	8 ³ / ₄	⁵ / ₈	8

Dimensions-mm

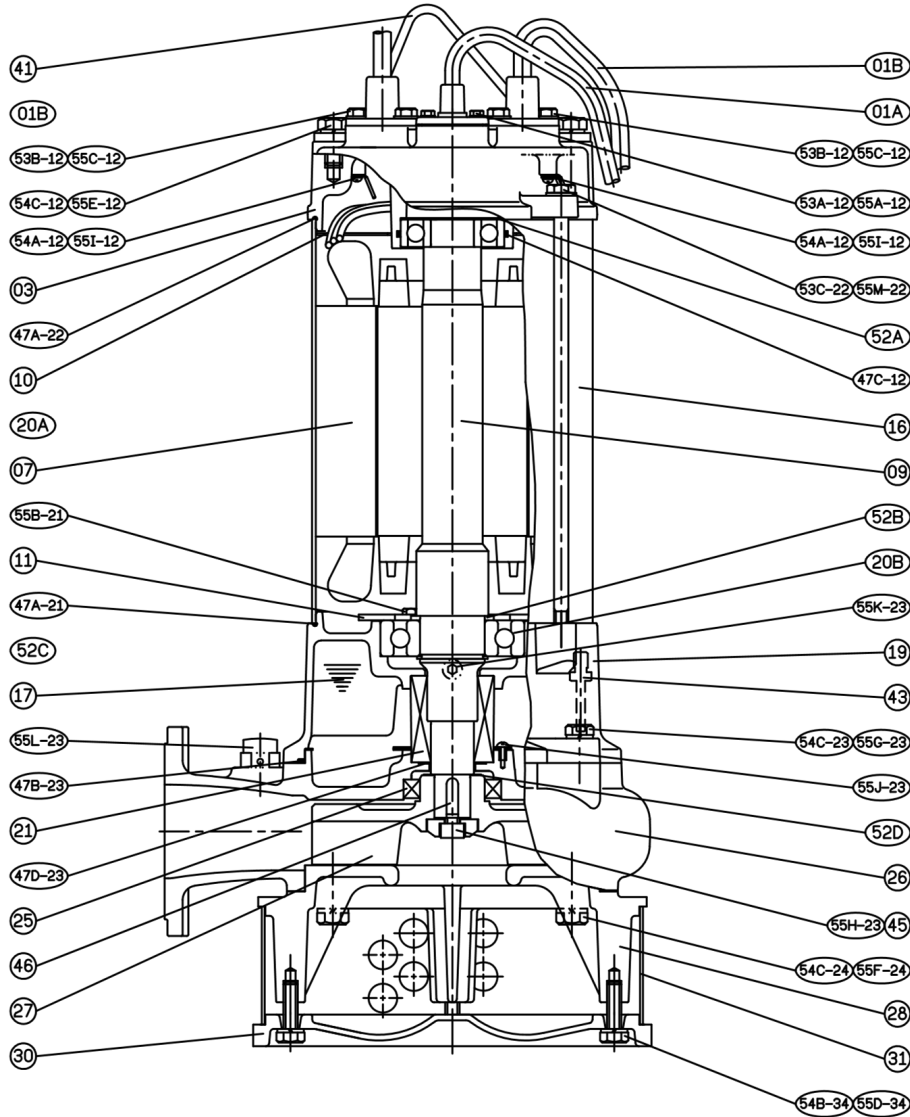
Model	d	A	B	C	D	E	F	G	I	J	J1	K	L	M	N	O	O1	P	P1	W1	W2	H1	H2	H3	H4	WT1	Weight:kg	
																											GRS Set	WT2
80(100)SA211	80	797	574	130	286	230	195	80	60	150	190	1 ¹ / ₄	50	275	231	135	230	15	40	655	228	754	30	180	15	82	ST80DH	25
80(100)SA211	80	829	574	150	286	230	195	80	60	170	210	1 ¹ / ₄	50	285	231	155	250	15	40	655	228	754	30	180	15	82	ST100(80)BH	28

Dimensions-inch

Model	d	A	B	C	D	E	F	G	I	J	J1	K	L	M	N	O	O1	P	P1	W1	W2	H1	H2	H3	H4	WT1	Weight:lb	
																											GRS Set	WT2
80(100)SA211	3	31 ³ / ₈	22 ⁵ / ₈	5 ¹ / ₈	11 ¹ / ₄	9 ¹ / ₈	7 ¹ / ₈	3 ¹ / ₈	2 ⁵ / ₈	5 ⁵ / ₈	7 ¹ / ₂	1 ¹ / ₄	2	10 ¹³ / ₁₆	9 ¹ / ₈	5 ⁵ / ₈	9 ¹ / ₈	⁹ / ₁₆	1 ¹ / ₈	25 ¹³ / ₁₆	9	29 ¹ / ₈	1 ³ / ₈	7 ¹ / ₈	⁹ / ₁₆	181	ST80DH	55
80(100)SA211	3	32 ⁵ / ₈	22 ⁵ / ₈	5 ¹⁵ / ₁₆	11 ¹ / ₄	9 ¹ / ₈	7 ¹ / ₈	3 ¹ / ₈	2 ³ / ₈	6 ¹ / ₈	8 ³ / ₄	1 ¹ / ₄	2	11 ¹ / ₄	9 ¹ / ₈	6 ⁵ / ₈	9 ¹³ / ₁₆	⁹ / ₁₆	1 ¹ / ₈	25 ¹³ / ₁₆	9	29 ¹ / ₈	1 ³ / ₈	7 ¹ / ₈	⁹ / ₁₆	181	ST100(80)BH	62

C.W.L.:Continuous Running Water Level
L.W.L.:Lowest Running Water Level

WT1:Pump Weight(Without Cable)
WT2:GRS Set Weight



NO.	Part name	Material	QTY
01A	Cable		1
01B	Cable		2
03	Upper Cover	SCS14	1
07	Stator (With MTS)		1
09	Shaft End	SUS630	1
10	Protective Plate		1
11	Bearing Fixer	SPCC	1
16	Motor Frame	SUS316	1
17	Lubricant		
19	Bearing Bracket	SCS14	1
20A	Bearing		1
20B	Bearing		1
21	M. Seal	CA/CE & SiC/SiC	1
25	Oil Seal	NBR	1

NO.	Part name	Material	QTY
26	Casing	SCS14	1
27	Impeller	SCS14	1
28	Casing Cover	SCS14	1
30	Footing	SCS14	1
31	Strainer	SUS316	1
41	Handle	SUS304	1
43	Moisture Sensor		1
46	Impeller Key	SUS304	1
47	Gasket Kit		