

# **HCP PUMP**

<b>Model</b>	<b>80(100)AL211</b>
<b>Series</b>	<b>AL</b>
<b>Frequency</b>	<b>50</b>
<b>Phase</b>	<b>3</b>
<b>Discharge</b>	<b>80 mm</b>



## **Motor Data**

Input Power—P1	12.8 kW
Rated Power—P2	11 kW
Insulation Class	H
Voltage Range	200~525V
Max. Starts Per Hour	5
Rated Speed (rpm)	2900
Start Method	STAR-DELTA / DOL
Ingress Protection Code	STAR-DELTA/DOL
Explosion-Proof	IP68

## **Technology**

Impeller Type	Open
Mechanical Seal	Double
Lubricating Oil VG32	2000 CC
Solid Passage	20 mm
Cooling Type	External cooling

## **Material**

Motor Frame	FC200
Shaft	SUS420J2
Casing	FC200
Impeller	FC200
Mechanical Seal	CA/CE&SiC/SiC
Cable	VCT,H07RN-F
Upper and Lower Bearing	6306ZZ,6309ZZ

## **Liquid**

Maximum Ambient Temperature	0~40°C
Maximum Installation Depth	20 m
Highest Liquid Temperature	40 °C
Liquid Transported	Sewage

## **Others**

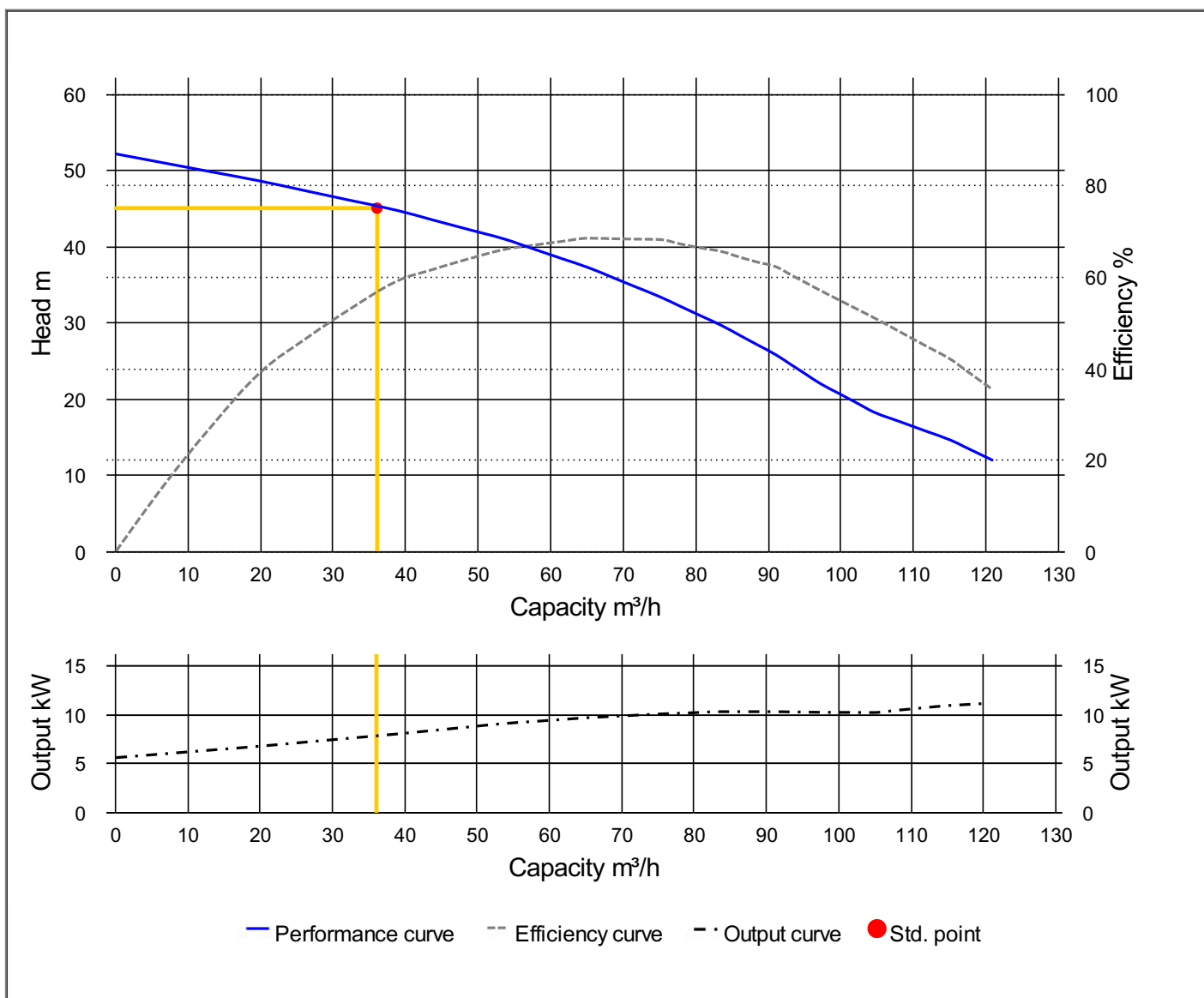
Protection Device	Motor Thermal Sensor
Moisture Sensor	Moisture Sensor



# HCP PUMP

## PUMP PERFORMANCE CURVES

<b>Model</b>	80(100)AL211	<b>File NO.</b>	20210125215619
<b>Frequency</b>	50 Hz	<b>Ver NO.</b>	202003060911
<b>Discharge</b>	3" / 80 mm	<b>REFERENCE SPECIFICATION</b>	
<b>Output</b>	15 HP / 11 kW	<b>Output</b>	7.77 kW
<b>Std. Head</b>	45 m	<b>Efficiency</b>	56.5 %
<b>Std. Capacity</b>	36 m <sup>3</sup> /h		
<b>Phase / Volt</b>	3 Ø / 380 V		
<b>Rated Current</b>	22.20 A		
<b>Pole / rpm</b>	2 P / 2900 rpm		
<b>Start Method</b>	STAR-DELTA / DOL		
<b>Insulation Class</b>	H		

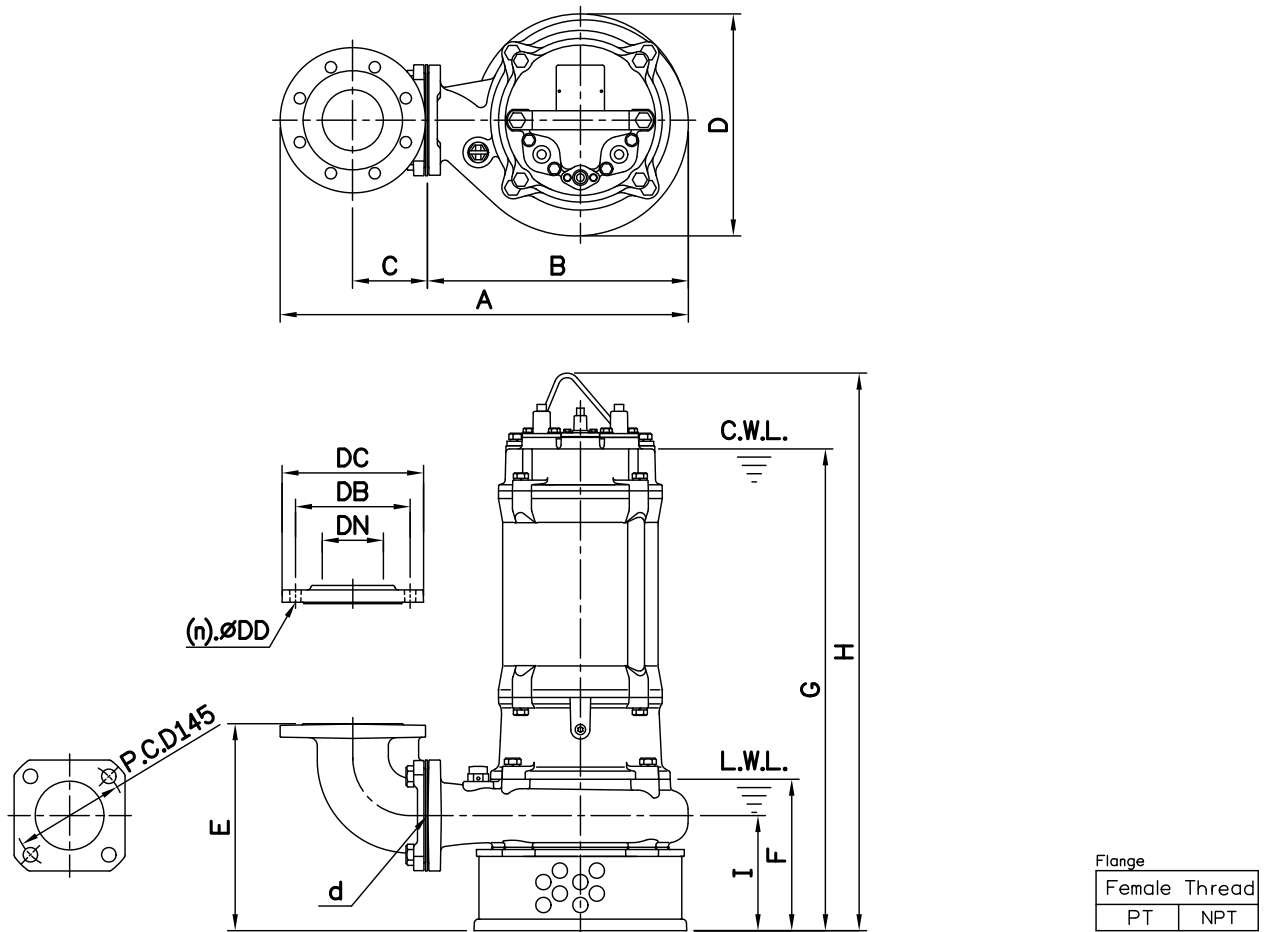


## DIMENSIONS

NO: S3AL02A1030-00

MODEL: 80(100)AL211

50Hz 3Ø



Dimensions—mm

Weight:kg

Model	d	A	B	C	D	E	F	G	H	I	WT1	Elbow (Flange)Set	DN	DB	DC	DD	(n)QTY	WT2
80(100)AL211	80	534	342	98	290	271	198	630	729	151	91	EB3-150A	80	150	185	15	8	12
80(100)AL211	80	565	342	113	290	282	198	630	729	151	91	EB4-175(145)	100	175	210	15	8	14

Dimensions—inch

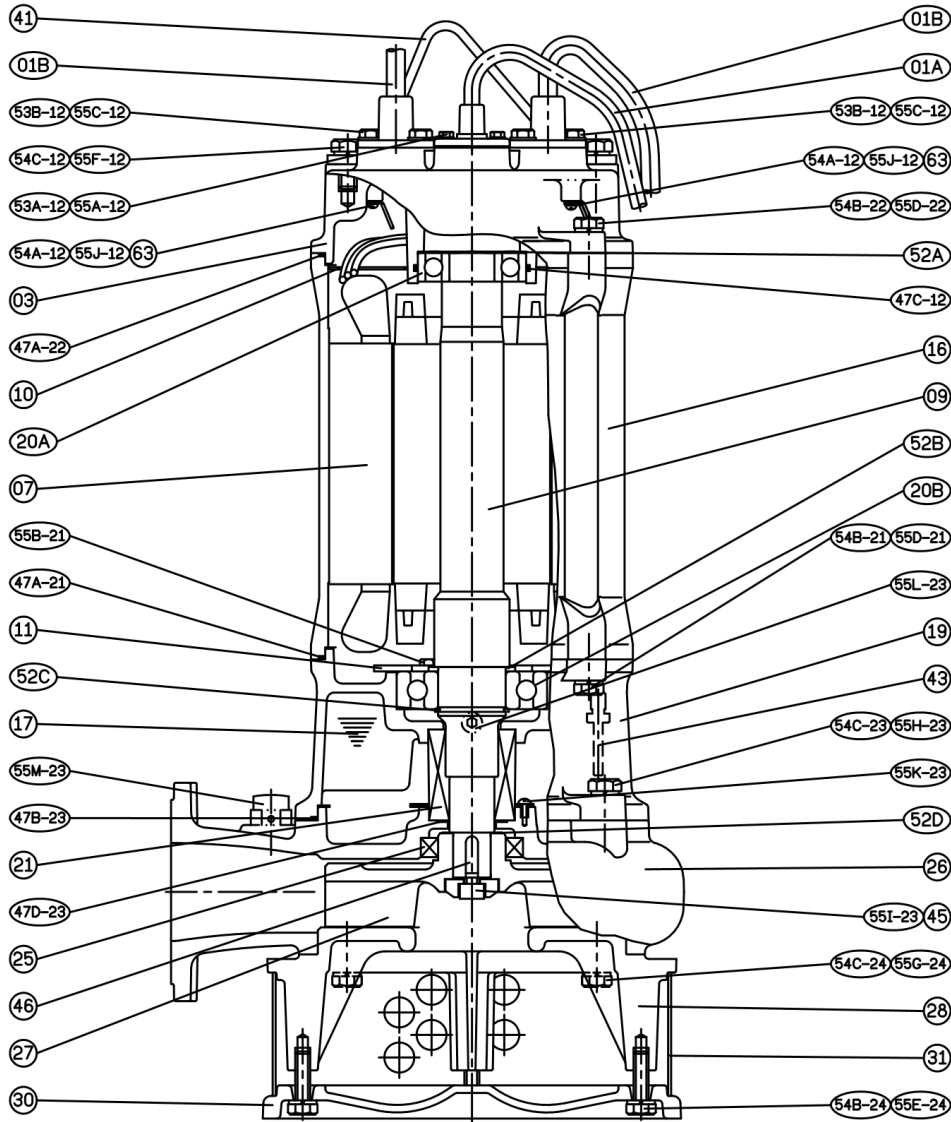
Weight:lb

Model	d	A	B	C	D	E	F	G	H	I	WT1	Elbow (Flange)Set	DN	DB	DC	DD	(n)QTY	WT2
80(100)AL211	3	21	13 <sup>7</sup> / <sub>16</sub>	3 <sup>7</sup> / <sub>8</sub>	11 <sup>1</sup> / <sub>16</sub>	10 <sup>11</sup> / <sub>16</sub>	7 <sup>7</sup> / <sub>16</sub>	24 <sup>13</sup> / <sub>16</sub>	28 <sup>11</sup> / <sub>16</sub>	5 <sup>5</sup> / <sub>16</sub>	201	EB3-150A	3	5 <sup>7</sup> / <sub>8</sub>	7 <sup>5</sup> / <sub>16</sub>	3 <sup>15</sup> / <sub>16</sub>	8	26
80(100)AL211	3	22 <sup>1</sup> / <sub>4</sub>	13 <sup>7</sup> / <sub>16</sub>	4 <sup>7</sup> / <sub>16</sub>	11 <sup>1</sup> / <sub>16</sub>	11 <sup>1</sup> / <sub>8</sub>	7 <sup>7</sup> / <sub>16</sub>	24 <sup>13</sup> / <sub>16</sub>	28 <sup>11</sup> / <sub>16</sub>	5 <sup>5</sup> / <sub>16</sub>	201	EB4-175(145)	4	6 <sup>3</sup> / <sub>8</sub>	8 <sup>1</sup> / <sub>4</sub>	3 <sup>15</sup> / <sub>16</sub>	8	30

C.W.L.:Continuous Running Water Level  
L.W.L.:Lowest Running Water Level

WT1:Pump Weight(Without Cable)  
WT2:Elbow Set Weight





NO.	Part name	Material	QTY
01A	Cable		1
01B	Cable		2
03	Upper Cover	FC200	1
07	Stator (With MTS)		1
09	Shaft End	SUS420J2	1
10	Protective Plate		1
11	Bearing Fixer	SPCC	1
16	Motor Frame	FC200	1
17	Lubricant		
19	Bearing Bracket	FC200	1
20A	Bearing		1
20B	Bearing		1
21	M. Seal	CA/CE & SiC/SiC	1
25	Oil Seal	NBR	1

NO.	Part name	Material	QTY
26	Casing	FC200	1
27	Impeller	FC200	1
28	Casing Cover	FC200	1
30	Footing	FC200	1
31	Strainer	SUS304	1
41	Handle	SUS304	1
43	Moisture Sensor		1
46	Impeller Key	SUS304	1
47	Gasket Kit		