
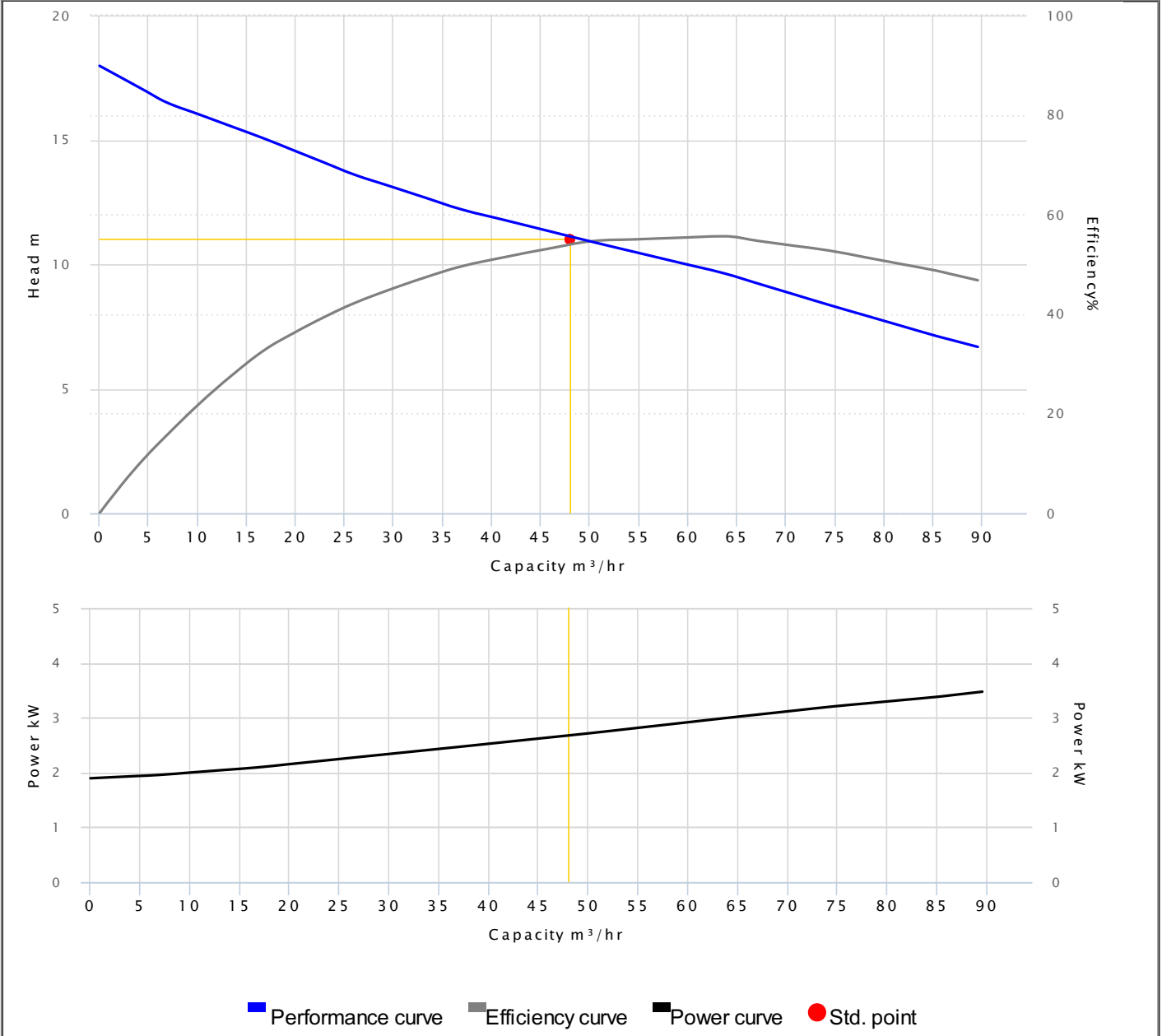


HCP PUMP

PUMP PERFORMANCE CURVES

Model	80(100)AFE43.7		
Frequency	50 Hz		
Discharge	3" / 80 mm		
Power	5 HP / 3.7 kW		
Std. Head	11 m		
Std. Capacity	48 m ³ /hr		
Phase/Volt	3 Ø / 380 V		
Rated Current	8.80 A		
rpm	4 P / 1400 rpm		
Start Method	DIRECT		
Insulation Class	F		
Solid Passage	76 mm	Output	2.69 kW

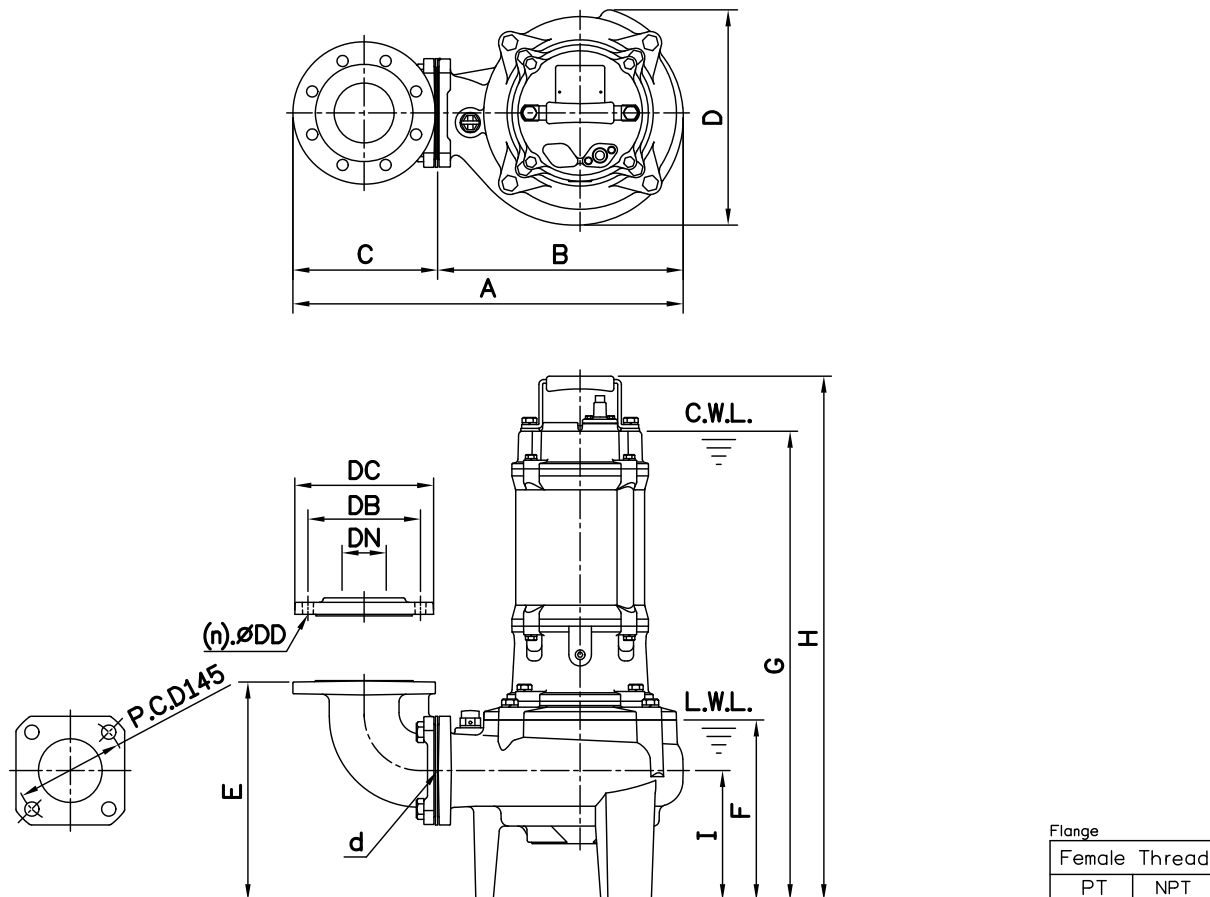


DIMENSIONS

NO: S3AFE437030-00

MODEL: 80(100)AFE41.5 / 42.2 / 43.7

50Hz 3Ø



Dimensions—mm

Weight:kg

Model	d	A	B	C	D	E	F	G	H	I	WT1	Elbow (Flange)Set	DN	DB	DC	DD	(n)QTY	WT2
80(100)AFE41.5 3Ø	80	521	328	98	287	294	241	586	660	174	60	EB3-150A	80	150	185	15	8	12
80(100)AFE41.5 3Ø	80	551	328	113	287	305	241	586	660	174	60	EB4-175(145)	100	175	210	15	8	14
80(100)AFE42.2 3Ø	80	521	328	98	287	294	241	586	660	174	60	EB3-150A	80	150	185	15	8	12
80(100)AFE42.2 3Ø	80	551	328	113	287	305	241	586	660	174	60	EB4-175(145)	100	175	210	15	8	14
80(100)AFE43.7 3Ø	80	539	346	98	304	294	241	626	700	174	71	EB3-150A	80	150	185	15	8	12
80(100)AFE43.7 3Ø	80	569	346	113	304	305	241	626	700	174	71	EB4-175(145)	100	175	210	15	8	14

Dimensions—inch

Weight:lb

Model	d	A	B	C	D	E	F	G	H	I	WT1	Elbow (Flange)Set	DN	DB	DC	DD	(n)QTY	WT2
80(100)AFE41.5 3Ø	3	20 ⁷ / ₂	12 ⁷ / ₁₆	3 ⁷ / ₈	11 ⁵ / ₁₆	11 ⁵ / ₁₆	9 ¹ / ₂	23 ³ / ₁₆	26	6 ⁷ / ₈	132	EB3-150A	3	5 ⁷ / ₈	7 ⁵ / ₁₆	9 ⁵ / ₁₆	8	26
80(100)AFE41.5 3Ø	3	21 ¹ / ₁₆	12 ¹⁵ / ₁₆	4 ⁷ / ₁₆	11 ⁵ / ₁₆	12	9 ¹ / ₂	23 ³ / ₁₆	26	6 ⁷ / ₈	132	EB4-175(145)	4	6 ⁷ / ₈	8 ³ / ₄	9 ⁵ / ₁₆	8	31
80(100)AFE42.2 3Ø	3	20 ⁷ / ₂	12 ¹⁵ / ₁₆	3 ⁷ / ₈	11 ⁵ / ₁₆	11 ⁵ / ₁₆	9 ¹ / ₂	23 ³ / ₁₆	26	6 ⁷ / ₈	132	EB3-150A	3	5 ⁷ / ₈	7 ⁵ / ₁₆	9 ⁵ / ₁₆	8	26
80(100)AFE42.2 3Ø	3	21 ¹ / ₁₆	12 ¹⁵ / ₁₆	4 ⁷ / ₁₆	11 ⁵ / ₁₆	12	9 ¹ / ₂	23 ³ / ₁₆	26	6 ⁷ / ₈	132	EB4-175(145)	4	6 ⁷ / ₈	8 ³ / ₄	9 ⁵ / ₁₆	8	31
80(100)AFE43.7 3Ø	3	21 ¹ / ₄	13 ⁵ / ₈	3 ⁷ / ₈	11 ⁵ / ₁₆	11 ⁵ / ₁₆	9 ¹ / ₂	24 ⁵ / ₈	27 ⁹ / ₁₆	6 ⁷ / ₈	157	EB3-150A	3	5 ⁷ / ₈	7 ⁵ / ₁₆	9 ⁵ / ₁₆	8	26
80(100)AFE43.7 3Ø	3	22 ³ / ₈	13 ⁵ / ₈	4 ⁷ / ₁₆	11 ⁵ / ₁₆	12	9 ¹ / ₂	24 ⁵ / ₈	27 ⁹ / ₁₆	6 ⁷ / ₈	157	EB4-175(145)	4	6 ⁷ / ₈	8 ³ / ₄	9 ⁵ / ₁₆	8	31

C.W.L.:Continuous Running Water Level
L.W.L.:Lowest Running Water Level

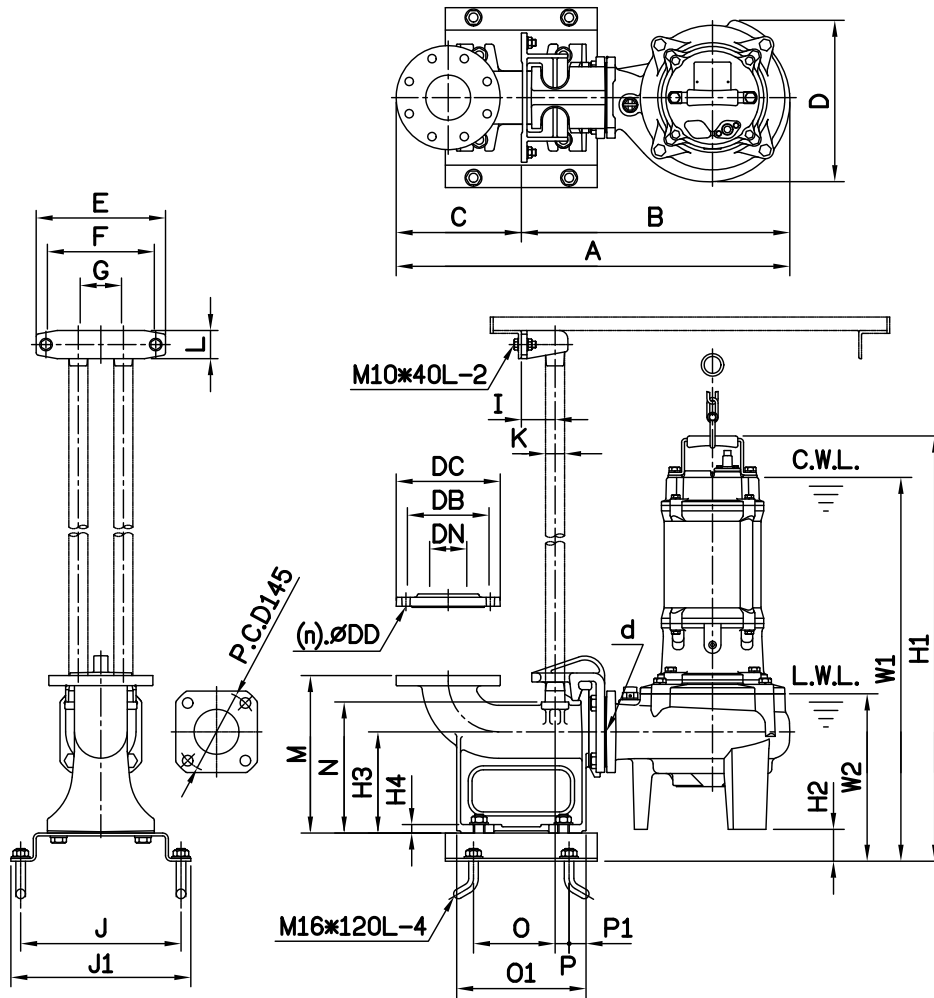
WT1:Pump Weight(Without Cable)
WT2:Elbow Set Weight

DIMENSIONS

NO: T3AFE437030-00

MODEL: 80(100)AFE41.5 / 42.2 / 43.7

50Hz 3Ø



Flange	
Female Thread	
PT	NPT

Dimensions-mm

Elbow (Flange)Set	DN	DB	DC	DD	(n)QTY
EF3-150	80	150	185	15	8
EF4-175	100	175	210	15	8

Dimensions-inch

Elbow (Flange)Set	DN	DB	DC	DD	(n)QTY
EF3-150	3	5 ⁹ / ₁₆	7 ⁷ / ₁₆	³ / ₁₆	8
EF4-175	4	6 ⁷ / ₁₆	8 ¹ / ₄	³ / ₁₆	8

Dimensions-mm

Model	d	A	B	C	D	E	F	G	I	J	J1	K	L	M	N	O	O1	P	P1	W1	W2	H1	H2	H3	H4	WT1	Weight:kg	
																											GRS Set	WT2
80(100)AFE41.5 3Ø	80	703	481	130	287	230	195	80	60	285	320	1 ¹ / ₄	50	280	233	145	230	25	30	643	298	716	57	180	15	60	T80D-E5	30
80(100)AFE41.5 3Ø	80	735	481	150	287	230	195	80	60	285	320	1 ¹ / ₄	50	285	233	155	250	15	40	643	298	716	57	180	15	60	T100(80)B-E5	33
80(100)AFE42.2 3Ø	80	703	481	130	287	230	195	80	60	285	320	1 ¹ / ₄	50	280	233	145	230	25	30	643	298	716	57	180	15	60	T80D-E5	30
80(100)AFE42.2 3Ø	80	735	481	150	287	230	195	80	60	285	320	1 ¹ / ₄	50	285	233	155	250	15	40	643	298	716	57	180	15	60	T100(80)B-E5	33
80(100)AFE43.7 3Ø	80	721	499	130	304	230	195	80	60	285	320	1 ¹ / ₄	50	280	233	145	230	25	30	683	298	756	57	180	15	71	T80D-E5	30
80(100)AFE43.7 3Ø	80	753	499	150	304	230	195	80	60	285	320	1 ¹ / ₄	50	285	233	155	250	15	40	683	298	756	57	180	15	71	T100(80)B-E5	33

Dimensions-inch

Model	d	A	B	C	D	E	F	G	I	J	J1	K	L	M	N	O	O1	P	P1	W1	W2	H1	H2	H3	H4	WT1	Weight:lb	
																											GRS Set	WT2
80(100)AFE41.5 3Ø	3	27 ¹ / ₈	18 ¹ / ₁₆	5 ¹ / ₈	11 ¹ / ₁₆	9 ³ / ₁₆	7 ⁷ / ₁₆	3 ³ / ₈	2 ³ / ₈	11 ¹ / ₄	12 ⁵ / ₁₆	1 ¹ / ₄	2	11	9 ³ / ₁₆	5 ¹ / ₁₆	9 ³ / ₁₆	1	1 ³ / ₁₆	25 ⁵ / ₁₆	11 ³ / ₄	28 ³ / ₁₆	2 ¹ / ₄	7 ⁷ / ₁₆	⁹ / ₁₆	132	T80D-E5	66
80(100)AFE41.5 3Ø	3	28 ⁷ / ₁₆	18 ¹ / ₁₆	5 ⁵ / ₁₆	11 ¹ / ₁₆	9 ⁹ / ₁₆	7 ⁷ / ₁₆	3 ³ / ₈	2 ³ / ₈	11 ¹ / ₄	12 ⁵ / ₁₆	1 ¹ / ₄	2	11 ¹ / ₄	9 ³ / ₁₆	6 ³ / ₁₆	9 ³ / ₁₆	⁹ / ₁₆	1 ¹ / ₁₆	25 ⁵ / ₁₆	11 ³ / ₄	28 ³ / ₁₆	2 ¹ / ₄	7 ⁷ / ₁₆	⁹ / ₁₆	132	T100(80)B-E5	73
80(100)AFE42.2 3Ø	3	27 ¹ / ₈	18 ¹ / ₁₆	5 ¹ / ₈	11 ¹ / ₁₆	9 ⁹ / ₁₆	7 ⁷ / ₁₆	3 ³ / ₈	2 ³ / ₈	11 ¹ / ₄	12 ⁵ / ₁₆	1 ¹ / ₄	2	11	9 ³ / ₁₆	5 ¹ / ₁₆	9 ³ / ₁₆	1	1 ³ / ₁₆	25 ⁵ / ₁₆	11 ³ / ₄	28 ³ / ₁₆	2 ¹ / ₄	7 ⁷ / ₁₆	⁹ / ₁₆	132	T80D-E5	66
80(100)AFE42.2 3Ø	3	28 ¹ / ₁₆	18 ¹ / ₁₆	5 ⁵ / ₁₆	11 ¹ / ₁₆	9 ⁹ / ₁₆	7 ⁷ / ₁₆	3 ³ / ₈	2 ³ / ₈	11 ¹ / ₄	12 ⁵ / ₁₆	1 ¹ / ₄	2	11 ¹ / ₄	9 ³ / ₁₆	6 ³ / ₁₆	9 ³ / ₁₆	⁹ / ₁₆	1 ¹ / ₁₆	25 ⁵ / ₁₆	11 ³ / ₄	28 ³ / ₁₆	2 ¹ / ₄	7 ⁷ / ₁₆	⁹ / ₁₆	132	T100(80)B-E5	73
80(100)AFE43.7 3Ø	3	28 ¹ / ₈	19 ¹ / ₁₆	5 ¹ / ₈	11 ¹ / ₁₆	9 ⁹ / ₁₆	7 ⁷ / ₁₆	3 ³ / ₈	2 ³ / ₈	11 ¹ / ₄	12 ⁵ / ₁₆	1 ¹ / ₄	2	11	9 ³ / ₁₆	5 ¹ / ₁₆	9 ³ / ₁₆	1	1 ³ / ₁₆	26 ⁷ / ₁₆	11 ³ / ₄	29 ¹ / ₄	2 ¹ / ₄	7 ⁷ / ₁₆	⁹ / ₁₆	157	T80D-E5	66
80(100)AFE43.7 3Ø	3	29 ⁵ / ₁₆	19 ¹ / ₁₆	5 ⁵ / ₁₆	11 ¹ / ₁₆	9 ⁹ / ₁₆	7 ⁷ / ₁₆	3 ³ / ₈	2 ³ / ₈	11 ¹ / ₄	12 ⁵ / ₁₆	1 ¹ / ₄	2	11 ¹ / ₄	9 ³ / ₁₆	6 ³ / ₁₆	9 ³ / ₁₆	⁹ / ₁₆	1 ¹ / ₁₆	26 ⁷ / ₁₆	11 ³ / ₄	29 ¹ / ₄	2 ¹ / ₄	7 ⁷ / ₁₆	⁹ / ₁₆	157	T100(80)B-E5	73

C.W.L.:Continuous Running Water Level
L.W.L.:Lowest Running Water Level

WT1:Pump Weight(Without Cable)
WT2:GRS Set Weight

