

HCP PUMP

Model	50SA2.4A
Series	SA
Frequency	50
Phase	1
Discharge	50 mm



Motor Data

Input Power—P1	0.72 kW
Rated Power—P2	0.4 kW
Insulation Class	B
Voltage Range	220~240V
Max. Starts Per Hour	10
Rated Speed (rpm)	2780
Start Method	CAPACITOR
Ingress Protection Code	CAPACITOR
Explosion-Proof	IP68

Technology

Impeller Type	Vortex
Mechanical Seal	Double
Lubricating Oil VG32	340 CC
Solid Passage	10 mm
Cooling Type	External cooling

Material

Motor Frame	SUS316
Shaft	SUS316
Casing	SCS14
Impeller	SCS14
Mechanical Seal	CA/CE&SiC/SiC
Cable	VCT,H07RN-F
Upper and Lower Bearing	6202ZZ,6303ZZ

Liquid

Maximum Ambient Temperature	0~40°C
Maximum Installation Depth	10 m
Highest Liquid Temperature	40 °C
Liquid Transported	Acid and alkali sewage

Others

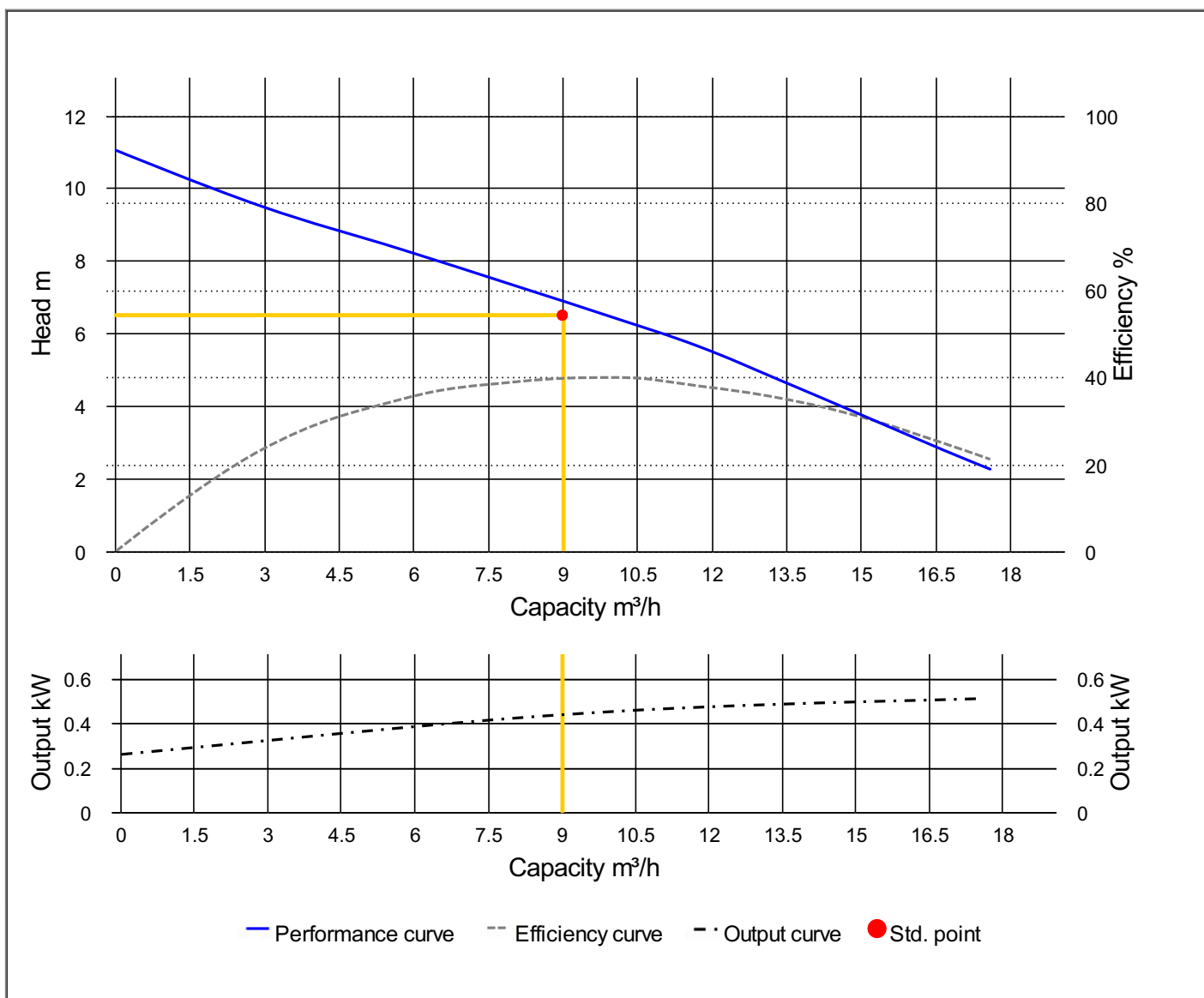
Protection Device	Motor Thermal Protector
Moisture Sensor	



HCP PUMP

PUMP PERFORMANCE CURVES

Model	50SA2.4A	File NO.	20210125221415
Frequency	50 Hz	Ver NO.	202003060911
Discharge	2" / 50 mm	REFERENCE SPECIFICATION	
Output	0.5 HP / 0.4 kW	Output	0.44 kW
Std. Head	6.5 m	Efficiency	39.5 %
Std. Capacity	9 m ³ /h		
Phase / Volt	1 Ø / 220 V		
Rated Current	3.40 A		
Pole / rpm	2 P / 2780 rpm		
Start Method	CAPACITOR		
Insulation Class	B		

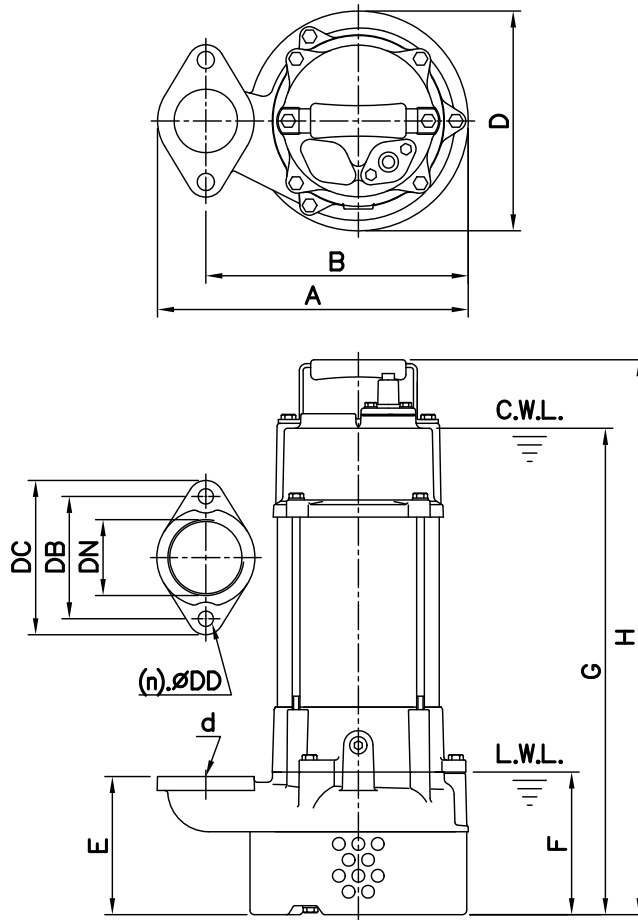


DIMENSIONS

NO: S2SA0208A32-11

MODEL: 50SA2.4A / 2.8A

1Ø / 3Ø



Flange	
Female Thread	
PF	NPT

Dimensions—mm

Weight:kg

Model	d	A	B	D	E	F	G	H	WT1	Elbow (Flange) Set	DN	DB	DC	DD	(n)QTY	WT2
50SA2.4A 1Ø	50	244	206	172	108	112	382	435	14	ESF2-96K	50	96	121	12	2	1
50SA2.4A 3Ø	50	244	206	172	108	112	382	435	14	ESF2-96K	50	96	121	12	2	1
50SA2.8A 1Ø	50	244	206	172	108	112	382	435	16	ESF2-96K	50	96	121	12	2	1
50SA2.8A 3Ø	50	244	206	172	108	112	382	435	15	ESF2-96K	50	96	121	12	2	1

Dimensions—inch

Weight:lb

Model	d	A	B	D	E	F	G	H	WT1	Elbow (Flange) Set	DN	DB	DC	DD	(n)QTY	WT2
50SA2.4A 1Ø	2	9 ⁵ / ₈	8 ¹ / ₈	6 ³ / ₄	4 ¹ / ₄	4 ¹ / ₁₆	15 ¹ / ₁₆	17 ¹ / ₈	31	ESF2-96K	2	3 ³ / ₄	4 ³ / ₄	1/2	2	1
50SA2.4A 3Ø	2	9 ⁵ / ₈	8 ¹ / ₈	6 ³ / ₄	4 ¹ / ₄	4 ¹ / ₁₆	15 ¹ / ₁₆	17 ¹ / ₈	31	ESF2-96K	2	3 ³ / ₄	4 ³ / ₄	1/2	2	1
50SA2.8A 1Ø	2	9 ⁵ / ₈	8 ¹ / ₈	6 ³ / ₄	4 ¹ / ₄	4 ¹ / ₁₆	15 ¹ / ₁₆	17 ¹ / ₈	35	ESF2-96K	2	3 ³ / ₄	4 ³ / ₄	1/2	2	1
50SA2.8A 3Ø	2	9 ⁵ / ₈	8 ¹ / ₈	6 ³ / ₄	4 ¹ / ₄	4 ¹ / ₁₆	15 ¹ / ₁₆	17 ¹ / ₈	33	ESF2-96K	2	3 ³ / ₄	4 ³ / ₄	1/2	2	1

C.W.L.:Continuous Running Water Level
L.W.L.:Lowest Running Water Level

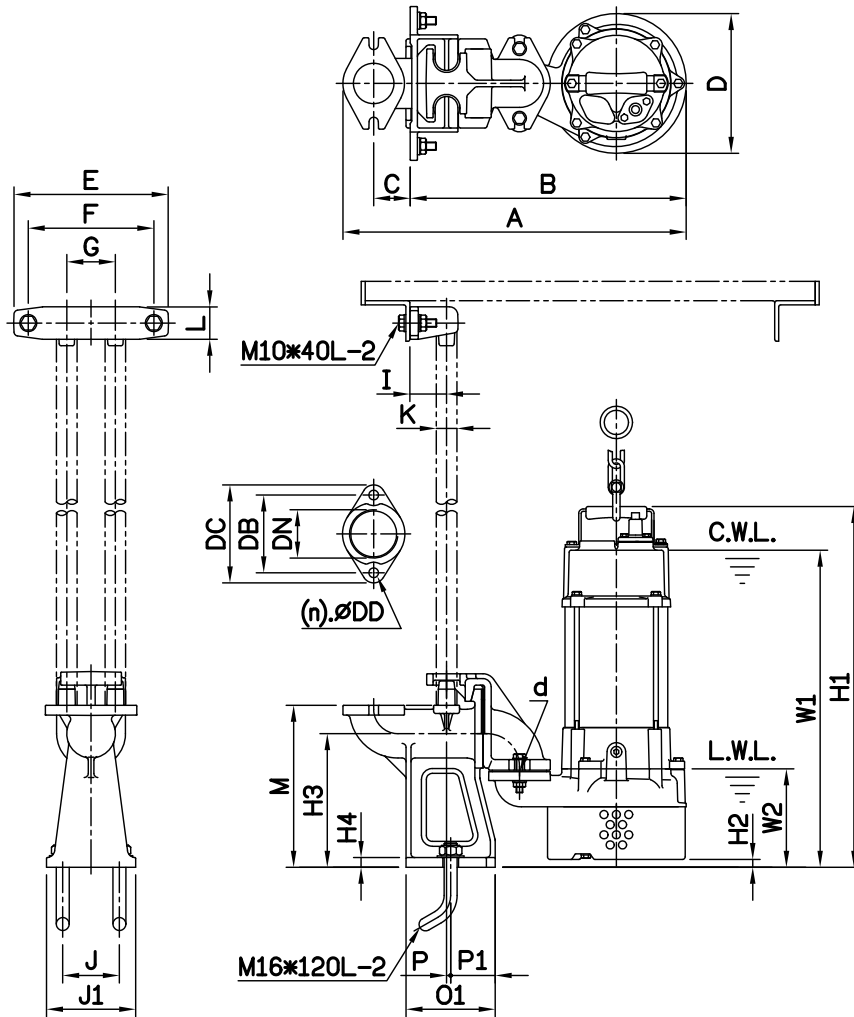
WT1:Pump Weight(Without Cable)
WT2:Elbow Set Weight

DIMENSIONS

NO: T2SA0208A32-11

MODEL: 50SA2.4A / 2.8A

1Ø / 3Ø



Flange	
Female Thread	
PF	NPT

Dimensions-mm

Elbow (Flange)Set	DN	DB	DC	DD	(n)QTY
ESF2-96	50	96	121	12	2

Dimensions-inch

Elbow (Flange)Set	DN	DB	DC	DD	(n)QTY
ESF2-96	2	3¾	4¾	½	2

Dimensions-mm

Weight:kg

Model	d	A	B	C	D	E	F	G	I	J	J1	K	L	M	O1	P	P1	W1	W2	H1	H2	H3	H4	WT1	GRS Set	WT2
50SA2.4A 1Ø	50	424	341	45	172	190	155	60	45	70	110	¾"	40	200	110	5	55	392	121	445	10	165	12	14	ST2-50	9
50SA2.8A 1Ø	50	424	341	45	172	190	155	60	45	70	110	¾"	40	200	110	5	55	392	121	445	10	165	12	16	ST2-50	9
50SA2.4A 3Ø	50	424	341	45	172	190	155	60	45	70	110	¾"	40	200	110	5	55	392	121	445	10	165	12	14	ST2-50	9
50SA2.8A 3Ø	50	424	341	45	172	190	155	60	45	70	110	¾"	40	200	110	5	55	392	121	445	10	165	12	15	ST2-50	9

Dimensions-inch

Weight:lb

Model	d	A	B	C	D	E	F	G	I	J	J1	K	L	M	O1	P	P1	W1	W2	H1	H2	H3	H4	WT1	GRS Set	WT2
50SA2.4A 1Ø	2	16½	13½	1¾	6¾	7½	6¾	2¾	1¾	2¾	4½	¾	1½	7½	4½	¾	2¾	15½	4¾	17½	¾	6½	½	31	ST2-50	20
50SA2.8A 1Ø	2	16½	13½	1¾	6¾	7½	6¾	2¾	1¾	2¾	4½	¾	1½	7½	4½	¾	2¾	15½	4¾	17½	¾	6½	½	35	ST2-50	20
50SA2.4A 3Ø	2	16½	13½	1¾	6¾	7½	6¾	2¾	1¾	2¾	4½	¾	1½	7½	4½	¾	2¾	15½	4¾	17½	¾	6½	½	31	ST2-50	20
50SA2.8A 3Ø	2	16½	13½	1¾	6¾	7½	6¾	2¾	1¾	2¾	4½	¾	1½	7½	4½	¾	2¾	15½	4¾	17½	¾	6½	½	33	ST2-50	20

C.W.L.:Continuous Running Water Level
L.W.L.:Lowest Running Water Level

WT1:Pump Weight(Without Cable)
WT2:GRS Set Weight

