



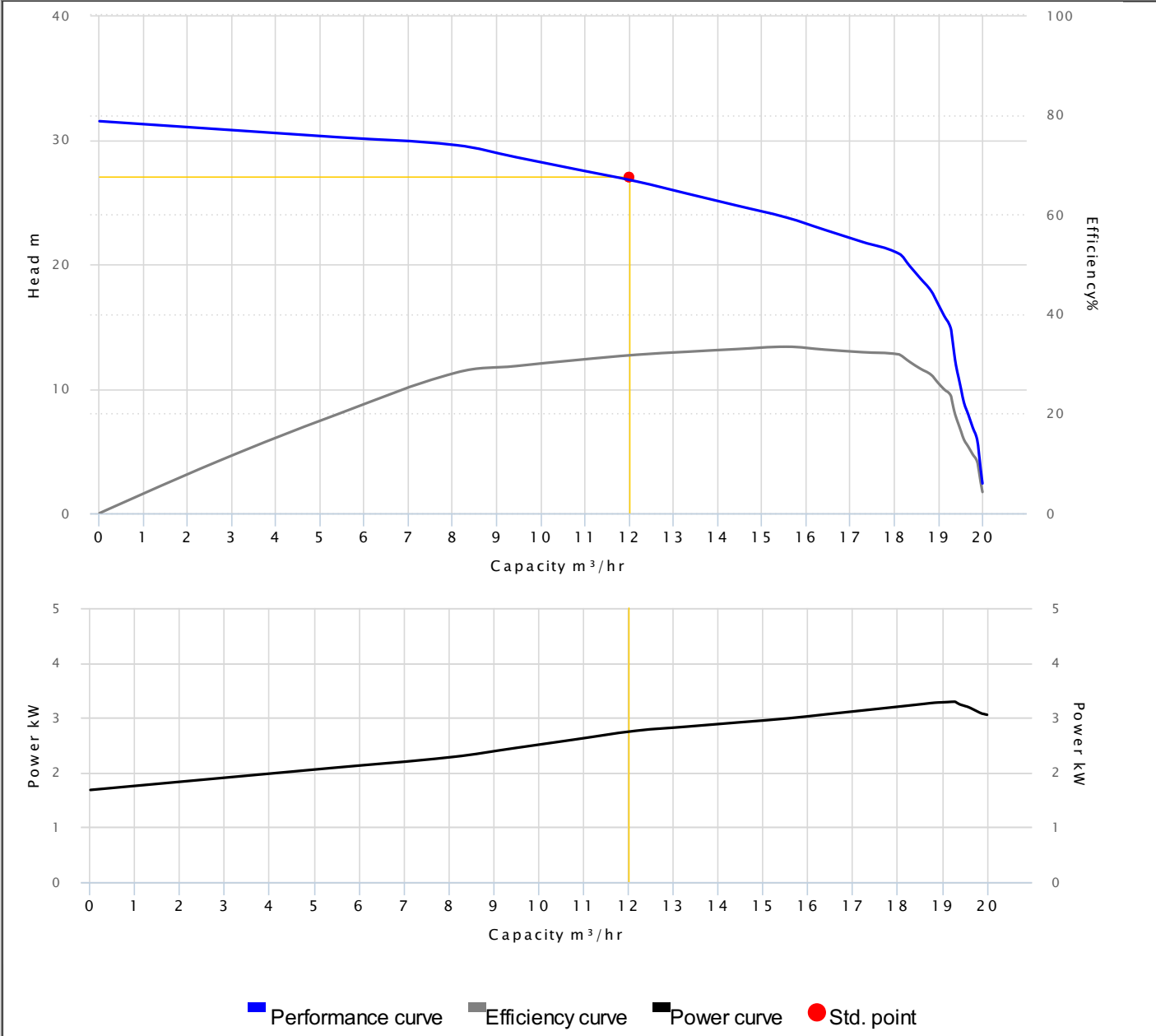
# HCP PUMP

## PUMP PERFORMANCE CURVES

Model	50GF23.7
Frequency	50 Hz
Discharge	2" / 50 mm
Power	5 HP / 3.7 kW
Std. Head	27 m
Std. Capacity	12 m <sup>3</sup> /hr
Phase/Volt	3 Ø / 380 V
Rated Current	8.20 A
rpm	2 P / 2860 rpm
Start Method	DIRECT
Insulation Class	F
Solid Passage	-



Efficiency	31.7 %
Output	2.74 kW

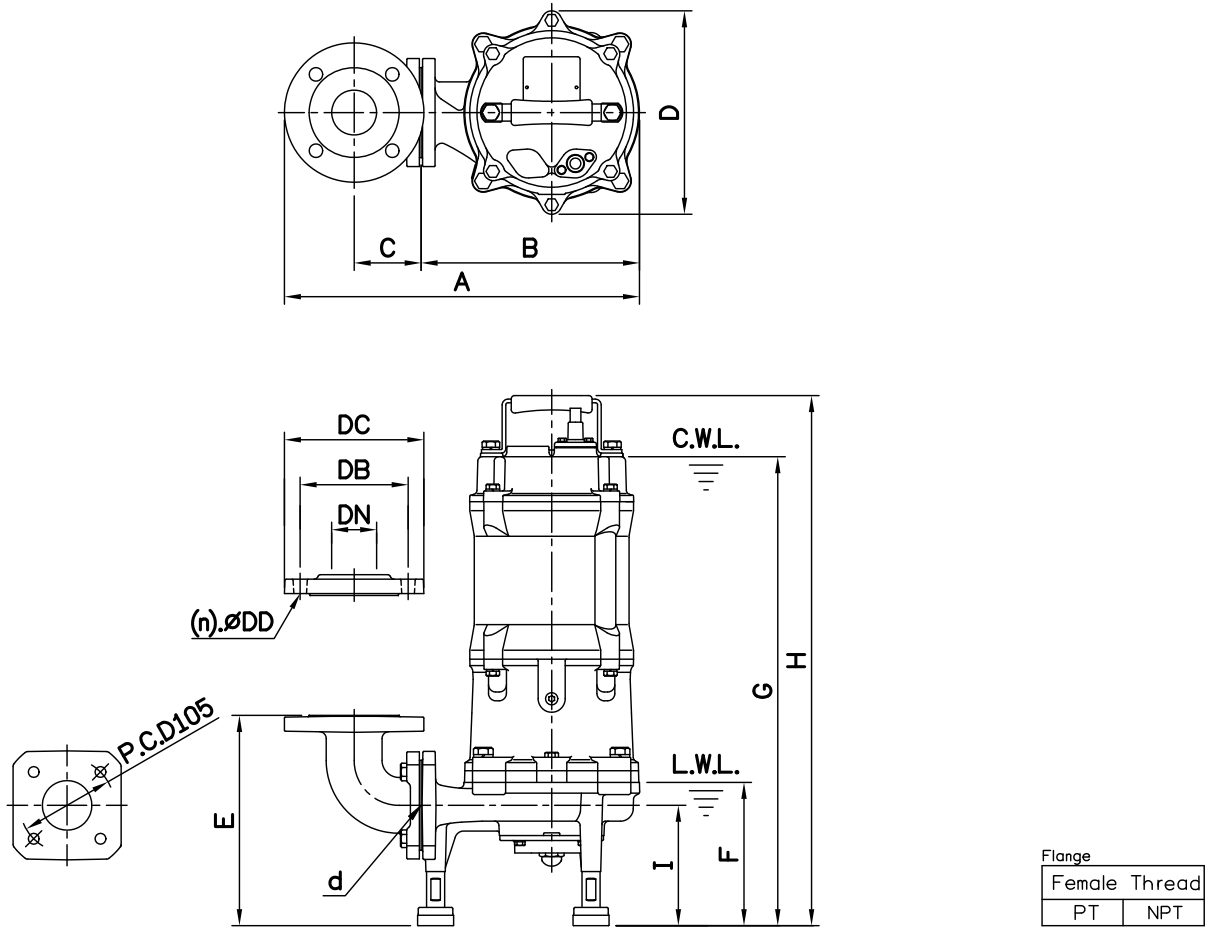


## DIMENSIONS

NO: S2GF0237032-00

MODEL: 50GF22.2 / 23.7

3Ø



Dimensions-mm

Weight:kg

Model	d	A	B	C	D	E	F	G	H	I	WT1	Elbow (Flange)Set	DN	DB	DC	DD	(n)QTY	WT2
50GF22.2	50	395	243	75	226	234	160	521	589	134	44	EB2-120	50	120	155	15	4	6
50GF23.7	50	395	243	75	226	234	160	541	609	134	47	EB2-120	50	120	155	15	4	6

Dimensions-inch

Weight:lb

Model	d	A	B	C	D	E	F	G	H	I	WT1	Elbow (Flange)Set	DN	DB	DC	DD	(n)QTY	WT2
50GF22.2	2	15 <sup>5</sup> / <sub>16</sub>	9 <sup>3</sup> / <sub>16</sub>	2 <sup>15</sup> / <sub>16</sub>	8 <sup>7</sup> / <sub>16</sub>	9 <sup>3</sup> / <sub>16</sub>	6 <sup>5</sup> / <sub>16</sub>	20 <sup>1</sup> / <sub>2</sub>	23 <sup>3</sup> / <sub>16</sub>	5 <sup>1</sup> / <sub>4</sub>	97	EB2-120	2	4 <sup>3</sup> / <sub>4</sub>	6 <sup>1</sup> / <sub>8</sub>	<sup>9</sup> / <sub>16</sub>	4	13
50GF23.7	2	15 <sup>5</sup> / <sub>16</sub>	9 <sup>3</sup> / <sub>16</sub>	2 <sup>15</sup> / <sub>16</sub>	8 <sup>7</sup> / <sub>16</sub>	9 <sup>3</sup> / <sub>16</sub>	6 <sup>5</sup> / <sub>16</sub>	21 <sup>5</sup> / <sub>16</sub>	24	5 <sup>1</sup> / <sub>4</sub>	104	EB2-120	2	4 <sup>3</sup> / <sub>4</sub>	6 <sup>1</sup> / <sub>8</sub>	<sup>9</sup> / <sub>16</sub>	4	13

C.W.L.:Continuous Running Water Level  
L.W.L.:Lowest Running Water Level

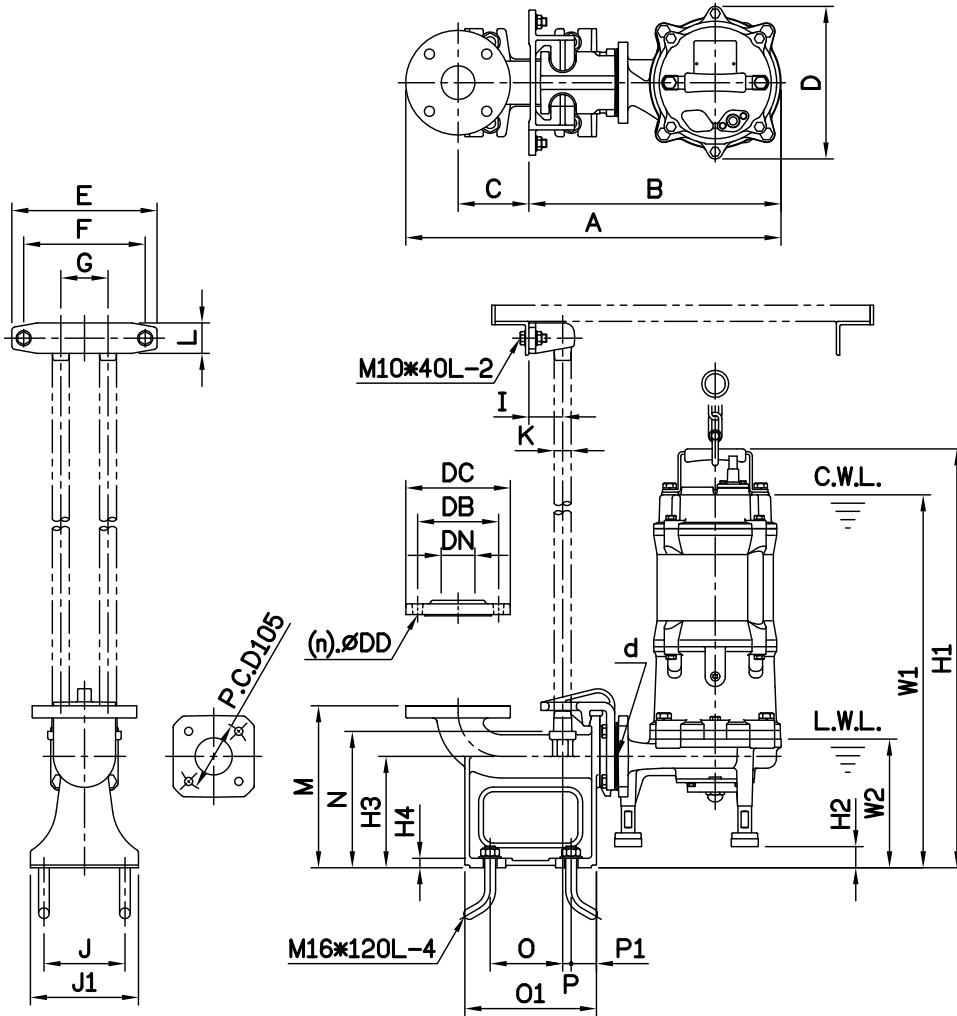
WT1:Pump Weight(Without Cable)  
WT2:Elbow Set Weight

## DIMENSIONS

NO: T2GF0237032-00

MODEL: 50GF22.2 / 23.7

3Ø



Flange	
Female Thread	
PT	NPT

Dimensions-mm

Elbow (Flange)Set	DN	DB	DC	DD	(n)QTY
EF2-120	50	120	155	15	4

Dimensions-inch

Elbow (Flange)Set	DN	DB	DC	DD	(n)QTY
EF2-120	2	4 3/4	6 1/8	5/8	4

Dimensions-mm

Model	d	A	B	C	D	E	F	G	I	J	J1	K	L	M	N	O	O1	P	P1	W1	W2	H1	H2	H3	H4	WT1	Weight:kg	
																											GRS Set	WT2
50GF22.2	50	556	374	105	226	215	180	70	50	120	160	1"	45	240	202	108	195	13	38	553	190	621	30	165	14	44	T50F	17
50GF23.7	50	556	374	105	226	215	180	70	50	120	160	1"	45	240	202	108	195	13	38	573	190	641	30	165	14	47	T50F	17

Dimensions-inch

Model	d	A	B	C	D	E	F	G	I	J	J1	K	L	M	N	O	O1	P	P1	W1	W2	H1	H2	H3	H4	WT1	Weight:lb	
																											GRS Set	WT2
50GF22.2	2	21 7/8	14 3/4	4 1/8	8 7/8	8 3/8	7 1/8	2 3/4	2	4 3/4	6 5/8	1	1 3/4	9 7/8	7 7/8	4 1/4	7 1/8	1/2	1 1/2	21 3/4	7 1/2	24 7/8	1 1/8	6 1/8	9/16	97	T50F	37
50GF23.7	2	21 7/8	14 3/4	4 1/8	8 7/8	8 3/8	7 1/8	2 3/4	2	4 3/4	6 5/8	1	1 3/4	9 7/8	7 7/8	4 1/4	7 1/8	1/2	1 1/2	22 9/16	7 1/2	25 1/4	1 1/8	6 1/8	9/16	104	T50F	37

C.W.L.:Continuous Running Water Level  
L.W.L.:Lowest Running Water Level

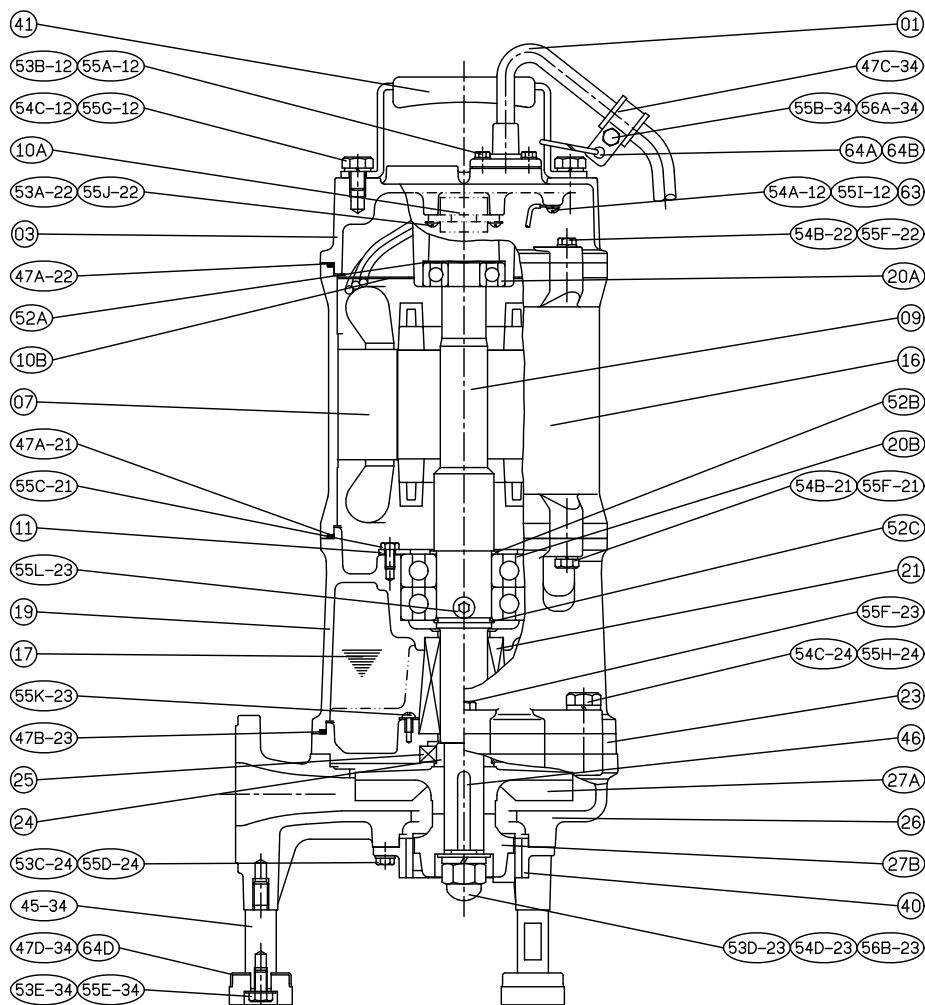
WT1:Pump Weight(Without Cable)  
WT2:GRS Set Weight

## SECTIONAL VIEWS

NO: 02GF0237030-0

MODEL: 50GF22.2 / 23.7

3Ø



No.	Part name	Material	QTY	Remark
01	Cable		1	
03	Upper cover	FC200	1	
07	Stator		1	
09	Shaft end	SUS403	1	
10A	Auto-cut Protector		1	
10B	Protective Plate		1	
11	Bearing fixer	SPCC	1	
16	Motor frame	FC200	1	
17	Lubricant			
19	Bearing bracket	FC200	1	
20A	Bearing		1	
20B	Bearing		1	
21	M.seal	CA / CE & SIC / SIC	1	

No.	Part name	Material	QTY	Remark
23	M. seal bracket	FC200	1	
24	Oil seal bush	SUS403	1	
25	Oil seal	NBR	1	
26	Casing	FC200	1	
27A	Impeller	FC200	1	
27B	Radial cutter	SUS440C	1	
40	Cutter ring	SUS440C	1	
41	Handle	SUS304	1	
46	Impeller key	SUS304	1	
47	Packing			