
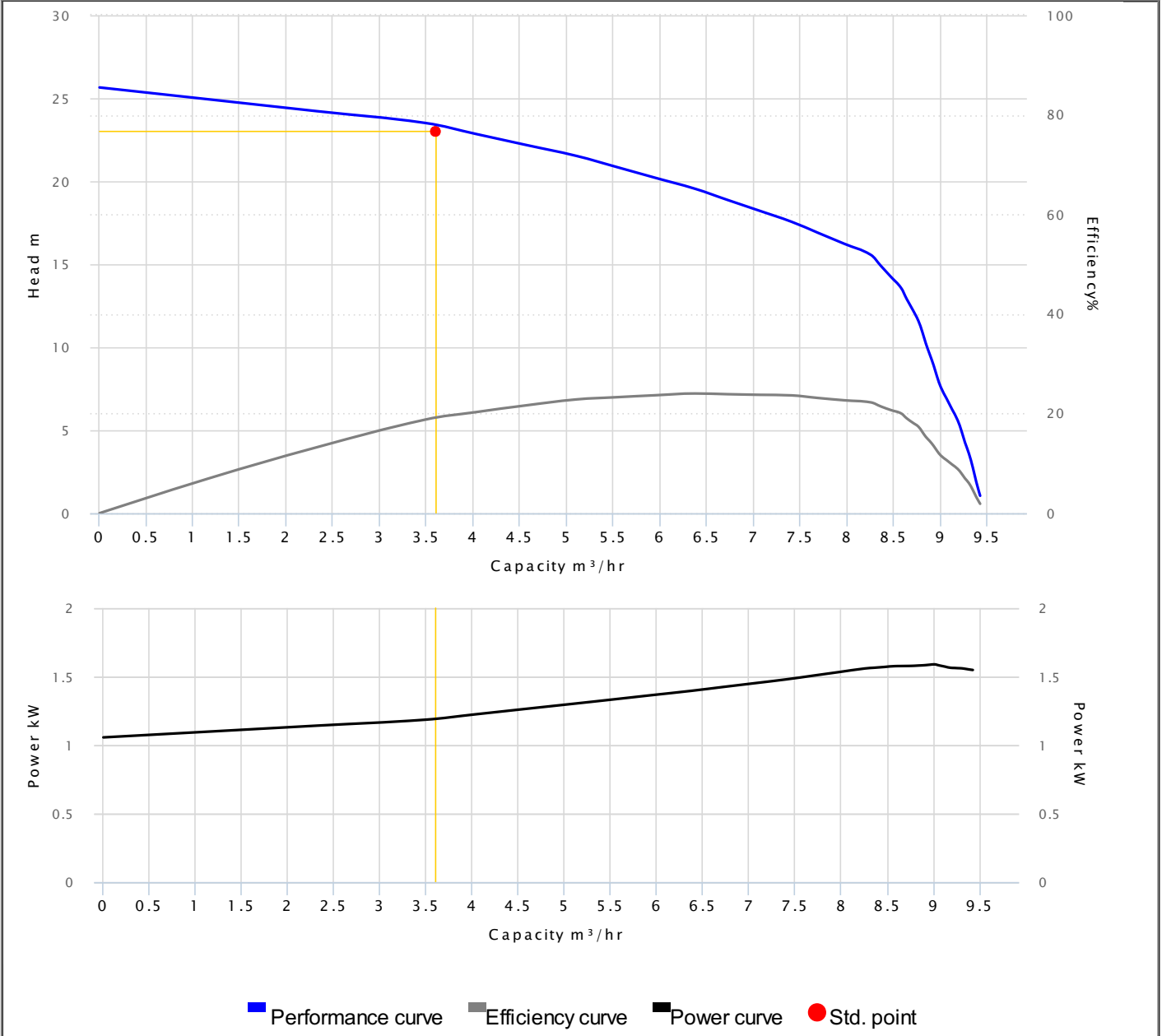




HCP PUMP

PUMP PERFORMANCE CURVES

Model	32GF21.5		
Frequency	50 Hz		
Discharge	1 1/4" / 32 mm		
Power	2 HP / 1.5 kW		
Std. Head	23 m		
Std. Capacity	3.6 m³/hr		
Phase/Volt	3 Ø / 380 V		
Rated Current	3.60 A		
rpm	2 P / 2850 rpm		
Start Method	DIRECT		
Insulation Class	F	Efficiency	19.2 %
Solid Passage	-	Output	1.2 kW

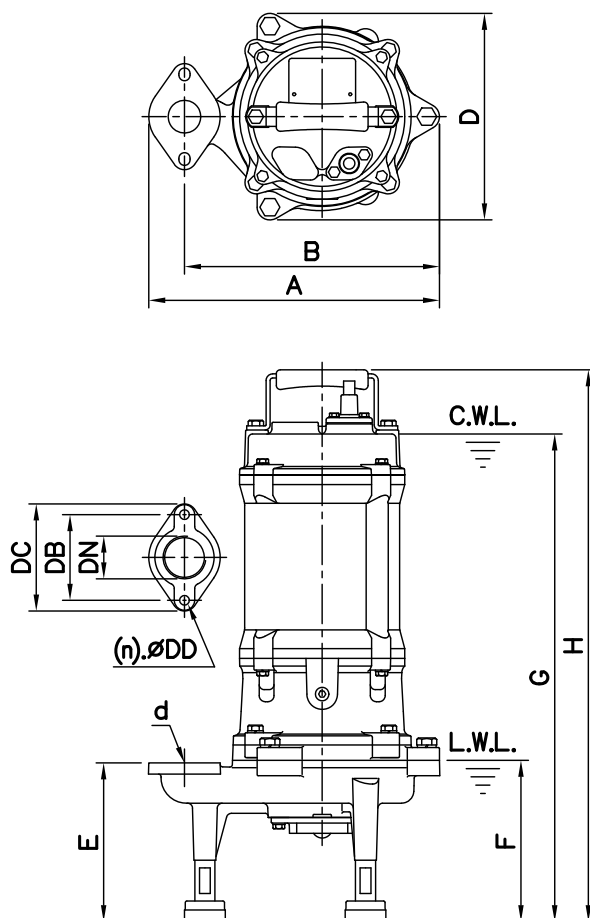


DIMENSIONS

NO: SFGF0222032-00

MODEL: 32GF21.5 / 22.2 / 21.5H

1Ø / 3Ø



Flange	
Female Thread	
PF	NPT

Dimensions—mm

Weight:kg

Model	d	A	B	D	E	F	G	H	WT1	Elbow (Flange)Set	DN	DB	DC	DD	(n)QTY	WT2
32GF21.5 1Ø	32	285	250	203	156	158	533	596	36	EF1¼-84	32	84	105	10	2	1
32GF22.2 1Ø	32	285	250	203	156	158	560	623	38	EF1¼-84	32	84	105	10	2	1
32GF21.5H 1Ø	32	285	250	203	156	158	533	596	36	EF1¼-84	32	84	105	10	2	1
32GF21.5 3Ø	32	285	250	203	156	158	478	541	32	EF1¼-84	32	84	105	10	2	1
32GF22.2 3Ø	32	285	250	203	156	158	478	541	35	EF1¼-84	32	84	105	10	2	1
32GF21.5H 3Ø	32	285	250	203	156	158	478	541	32	EF1¼-84	32	84	105	10	2	1

Dimensions—inch

Weight:lb

Model	d	A	B	D	E	F	G	H	WT1	Elbow (Flange)Set	DN	DB	DC	DD	(n)QTY	WT2
32GF21.5 1Ø	1 ¼	11 ¼	9 ¾	8	6 ½	6 ¼	21	23 ¾	79	EF1¼-84	1 ¼	3 ¾	4 ½	¾	2	1
32GF22.2 1Ø	1 ¼	11 ¼	9 ¾	8	6 ½	6 ¼	22 ¼	24 ½	84	EF1¼-84	1 ¼	3 ¾	4 ½	¾	2	1
32GF21.5H 1Ø	1 ¼	11 ¼	9 ¾	8	6 ½	6 ¼	21	23 ¾	79	EF1¼-84	1 ¼	3 ¾	4 ½	¾	2	1
32GF21.5 3Ø	1 ¼	11 ¼	9 ¾	8	6 ½	6 ¼	18 ¾	21 ¾	71	EF1¼-84	1 ¼	3 ¾	4 ½	¾	2	1
32GF22.2 3Ø	1 ¼	11 ¼	9 ¾	8	6 ½	6 ¼	18 ¾	21 ¾	77	EF1¼-84	1 ¼	3 ¾	4 ½	¾	2	1
32GF21.5H 3Ø	1 ¼	11 ¼	9 ¾	8	6 ½	6 ¼	18 ¾	21 ¾	71	EF1¼-84	1 ¼	3 ¾	4 ½	¾	2	1

C.W.L.:Continuous Running Water Level
L.W.L.:Lowest Running Water Level

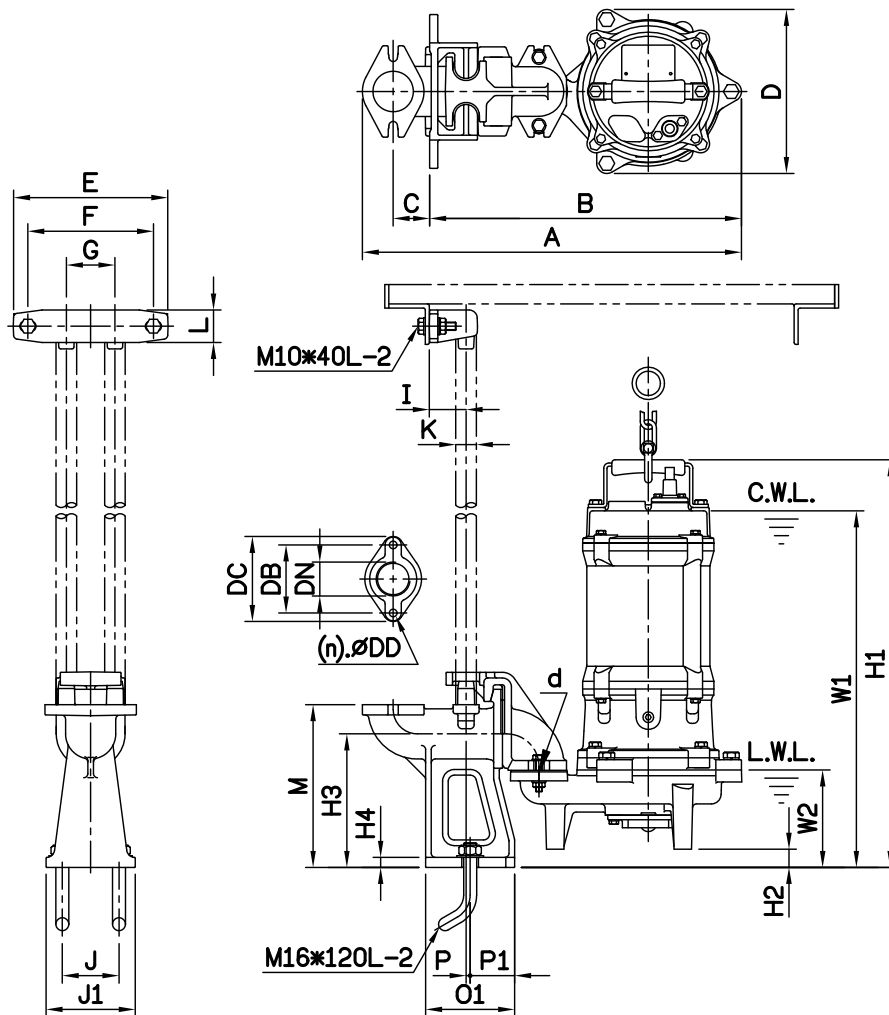
WT1:Pump Weight(Without Cable)
WT2:Elbow Set Weight

DIMENSIONS

NO: TFGF0222032-00

MODEL: 32GF21.5 / 22.2 / 21.5H

1Ø / 3Ø



Flange	
Female Thread	
PF	NPT

Dimensions-mm

Elbow (Flange)Set	DN	DB	DC	DD	(n)QTY
EF1¼-84	32	84	105	10	2

Dimensions-inch

Elbow (Flange)Set	DN	DB	DC	DD	(n)QTY
EF1¼-84	1¼	3⅜	4⅝	⅜	2

Dimensions-mm

Model	d	A	B	C	D	E	F	G	I	J	J1	K	L	M	O1	P	P1	W1	W2	H1	H2	H3	H4	WT1	GRS Set	WT2
32GF21.5 1Ø	32	468	385	45	203	190	155	60	45	70	110	¾"	40	201	110	5	55	495	120	558	22	165	13	36	T2-32(50)	8
32GF22.2 1Ø	32	468	385	45	203	190	155	60	45	70	110	¾"	40	201	110	5	55	522	120	585	22	165	13	38	T2-32(50)	8
32GF21.5H 1Ø	32	468	385	45	203	190	155	60	45	70	110	¾"	40	201	110	5	55	495	120	558	22	165	13	36	T2-32(50)	8
32GF21.5 3Ø	32	468	385	45	203	190	155	60	45	70	110	¾"	40	201	110	5	55	440	120	503	23	165	13	32	T2-32(50)	8
32GF22.2 3Ø	32	468	385	45	203	190	155	60	45	70	110	¾"	40	201	110	5	55	440	120	503	23	165	13	35	T2-32(50)	8
32GF21.5H 3Ø	32	468	385	45	203	190	155	60	45	70	110	¾"	40	201	110	5	55	440	120	503	23	165	13	32	T2-32(50)	8

Weight:kg

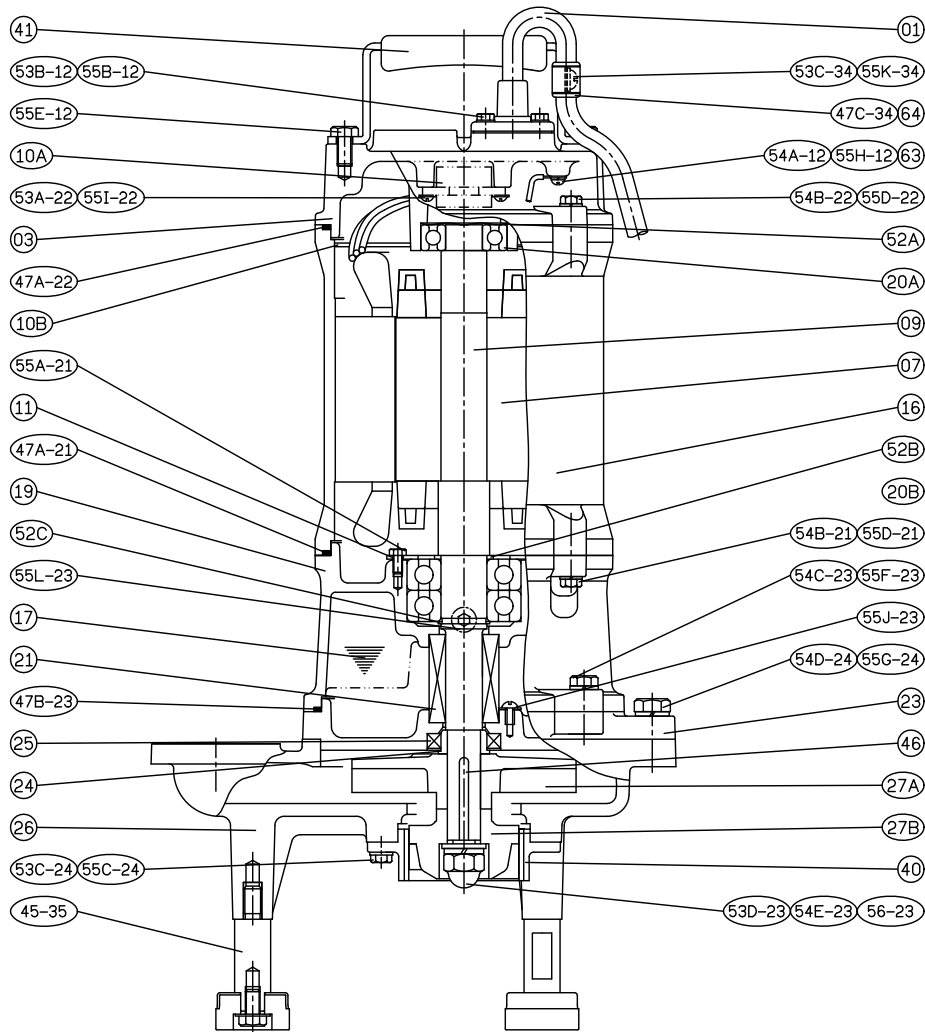
Dimensions-inch

Model	d	A	B	C	D	E	F	G	I	J	J1	K	L	M	O1	P	P1	W1	W2	H1	H2	H3	H4	WT1	GRS Set	WT2
32GF21.5 1Ø	1¼	18⅞	15⅜	1⅜	8	7½	6⅝	2⅜	1¾	2¾	4⅝	¾	1⅞	7⅞	4⅝	¾	2⅞	19½	4¾	21⅞	⅞	6½	½	79	T2-32(50)	18
32GF22.2 1Ø	1¼	18⅞	15⅜	1⅜	8	7½	6⅝	2⅜	1¾	2¾	4⅝	¾	1⅞	7⅞	4⅝	¾	2⅞	20⅞	4¾	23⅞	⅞	6½	½	84	T2-32(50)	18
32GF21.5H 1Ø	1¼	18⅞	15⅜	1⅜	8	7½	6⅝	2⅜	1¾	2¾	4⅝	¾	1⅞	7⅞	4⅝	¾	2⅞	19½	4¾	21⅞	⅞	6½	½	79	T2-32(50)	18
32GF21.5 3Ø	1¼	18⅞	15⅜	1⅜	8	7½	6⅝	2⅜	1¾	2¾	4⅝	¾	1⅞	7⅞	4⅝	¾	2⅞	17⅞	4¾	19⅞	⅞	6½	½	71	T2-32(50)	18
32GF22.2 3Ø	1¼	18⅞	15⅜	1⅜	8	7½	6⅝	2⅜	1¾	2¾	4⅝	¾	1⅞	7⅞	4⅝	¾	2⅞	17⅞	4¾	19⅞	⅞	6½	½	77	T2-32(50)	18
32GF21.5H 3Ø	1¼	18⅞	15⅜	1⅜	8	7½	6⅝	2⅜	1¾	2¾	4⅝	¾	1⅞	7⅞	4⅝	¾	2⅞	17⅞	4¾	19⅞	⅞	6½	½	71	T2-32(50)	18

Weight:lb

C.W.L.:Continuous Running Water Level
L.W.L.:Lowest Running Water Level

WT1:Pump Weight(Without Cable)
WT2:GRS Set Weight



No.	Part name	Material	QTY	Remark
01	Cable		1	
03	Upper cover	FC200	1	
07	Stator		1	
09	Shaft end	SUS403	1	
10A	Auto-cut Protector		1	
10B	Protective Plate		1	
11	Bearing fixer	SPCC	1	
16	Motor frame	FC200	1	
17	Lubricant			
19	Bearing bracket	FC200	1	
20A	Bearing		1	
20B	Bearing		1	
21	M.seal	CA / CE & SiC / SiC	1	

No.	Part name	Material	QTY	Remark
23	M. seal bracket	FC200	1	
24	Oil seal bush	SUS403	1	
25	Oil seal	NBR	1	
26	Casing	FC200	1	
27A	Impeller	FC200	1	
27B	Radial cutter	SUS440C	1	
40	Cutter ring	SUS440C	1	
41	Handle	SUS304	1	
46	Impeller key	SUS304	1	
47	Packing			