

HCP PUMP

Model	32GF21.0
Series	GF
Frequency	50
Phase	1
Discharge	32 mm



Motor Data

Input Power—P1	1.4 kW
Rated Power—P2	2.2 kW
Insulation Class	F
Voltage Range	220~240V
Max. Starts Per Hour	10
Rated Speed (rpm)	2820
Start Method	CAPACITOR
Ingress Protection Code	CAPACITOR
Explosion-Proof	IP68

Technology

Impeller Type	Vortex
Mechanical Seal	Double
Lubricating Oil VG32	580 CC
Solid Passage	-
Cooling Type	External cooling

Material

Motor Frame	FC200
Shaft	SUS403
Casing	FC200
Impeller	FC200
Mechanical Seal	CA/CE&SiC/SiC
Cable	VCT,H07RN-F
Upper and Lower Bearing	6203ZZ,6305ZZ

Liquid

Maximum Ambient Temperature	0~40°C
Maximum Installation Depth	20 m
Highest Liquid Temperature	40 °C
Liquid Transported	Sewage

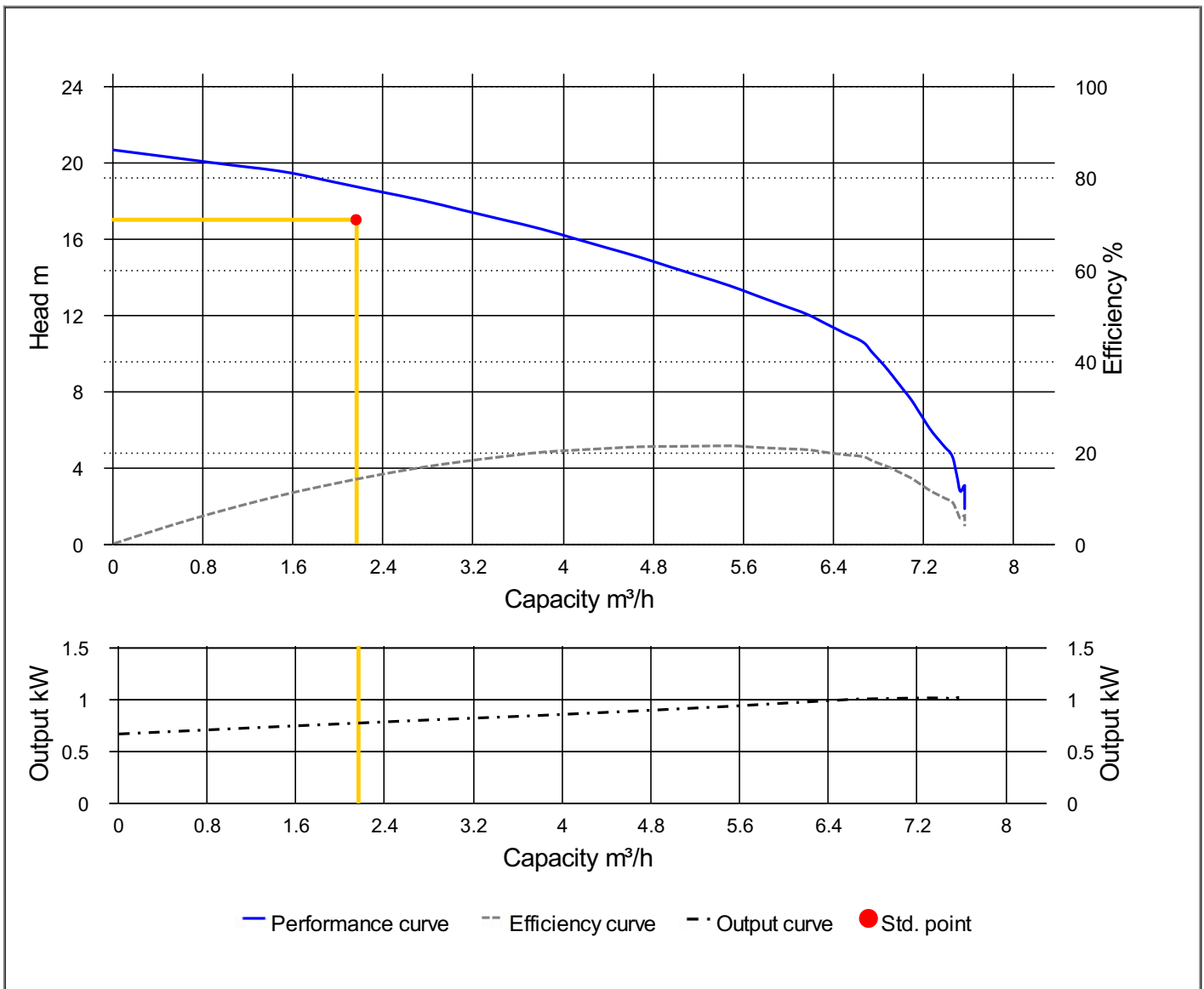
Others

Protection Device	Auto-cut Protector
Moisture Sensor	



HCP PUMP

PUMP PERFORMANCE CURVES			
Model	32GF21.0	File NO.	20210125220526
Frequency	50 Hz	Ver NO.	202003060911
Discharge	1.25" / 32 mm	REFERENCE SPECIFICATION	
Output	1.3 HP / 1 kW		
Std. Head	17 m	Efficiency	14.6 %
Std. Capacity	2.16 m ³ /h		
Phase / Volt	1 Ø / 220 V		
Rated Current	6.60 A		
Pole / rpm	2 P / 2820 rpm		
Start Method	CAPACITOR		
Insulation Class	F		

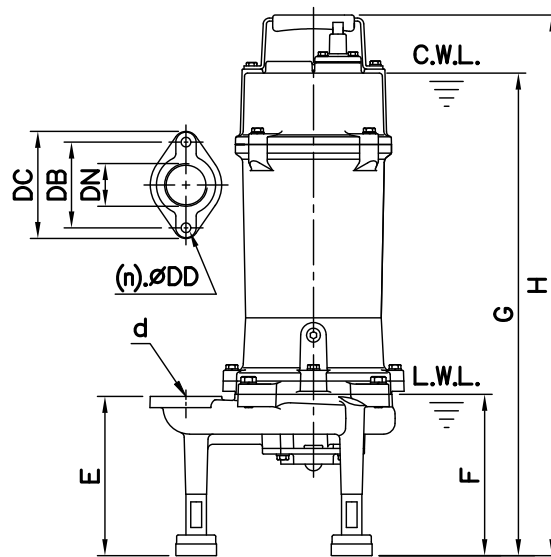
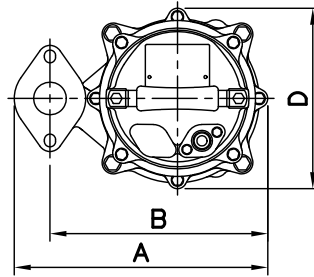


DIMENSIONS

NO: SFGF0210032-00

MODEL: 32GF21.0

1Ø / 3Ø



Flange	
Female Thread	
PF	NPT

Dimensions—mm

Weight:kg

Model	d	A	B	D	E	F	G	H	WT1	Elbow (Flange) Set	DN	DB	DC	DD	(n)QTY	WT2
32GF21.0 1Ø	32	249	214	177	156	158	498	555	27	EF1¼-84	32	84	105	10	2	1
32GF21.0 3Ø	32	249	214	177	156	158	473	530	25	EF1¼-84	32	84	105	10	2	1

Dimensions—inch

Weight:lb

Model	d	A	B	D	E	F	G	H	WT1	Elbow (Flange) Set	DN	DB	DC	DD	(n)QTY	WT2
32GF21.0 1Ø	1¼	9 ¹³ / ₁₆	8 ⁷ / ₁₆	6 ¹⁵ / ₁₆	6 ¹ / ₈	6¼	19 ⁵ / ₈	21 ⁷ / ₈	60	EF1¼-84	1¼	3 ⁵ / ₁₆	4 ¹ / ₈	¾	2	1
32GF21.0 3Ø	1¼	9 ¹³ / ₁₆	8 ⁷ / ₁₆	6 ¹⁵ / ₁₆	6 ¹ / ₈	6¼	18 ⁵ / ₈	20 ⁷ / ₈	55	EF1¼-84	1¼	3 ⁵ / ₁₆	4 ¹ / ₈	¾	2	1

C.W.L.:Continuous Running Water Level
L.W.L.:Lowest Running Water Level

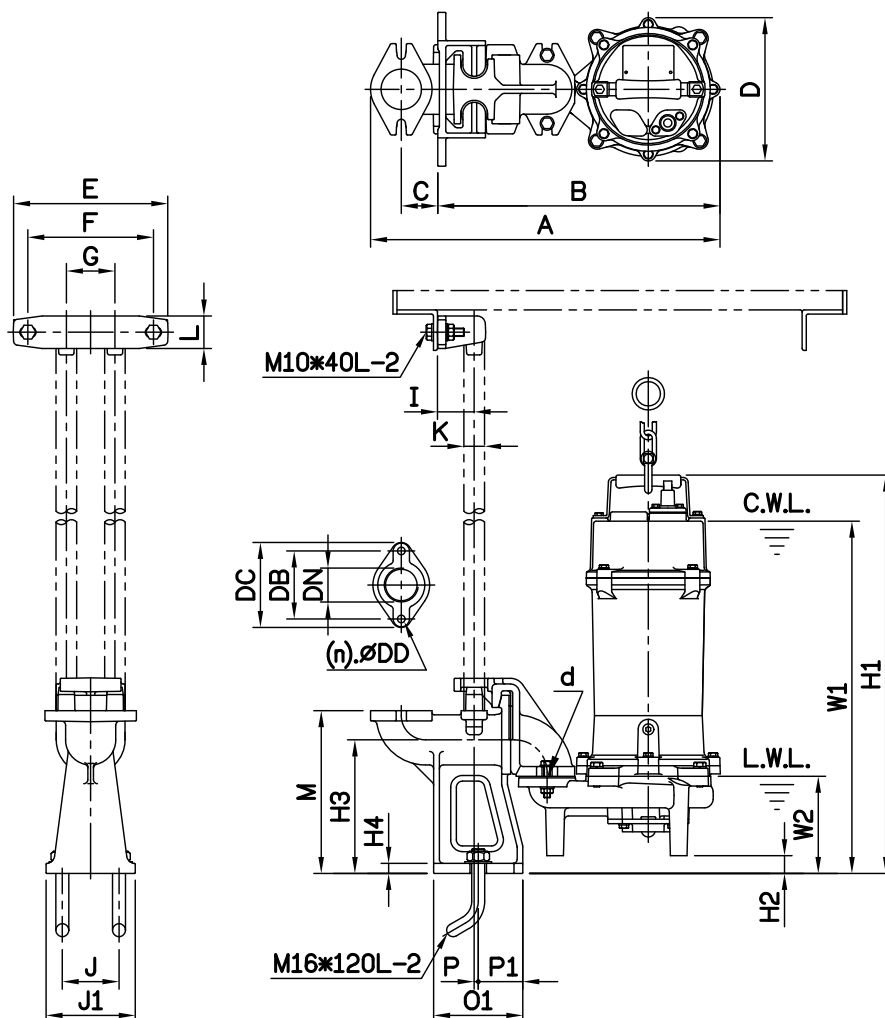
WT1:Pump Weight(Without Cable)
WT2:Elbow Set Weight

DIMENSIONS

NO: TFGF0210032-00

MODEL: 32GF21.0

1Ø / 3Ø



Flange	
Female Thread	
PF	NPT

Dimensions-mm

Elbow (Flange)Set	DN	DB	DC	DD	(n)QTY
EF1¼-84	32	84	105	10	2

Dimensions-inch

Elbow (Flange)Set	DN	DB	DC	DD	(n)QTY
EF1¼-84	1¼	3⅜	4⅝	⅜	2

Dimensions-mm

Weight:kg

Model	d	A	B	C	D	E	F	G	I	J	J1	K	L	M	O1	P	P1	W1	W2	H1	H2	H3	H4	WT1	GRS Set	WT2
32GF21.0 1Ø	32	432	349	45	177	190	155	60	45	70	110	¾"	40	201	110	5	55	460	120	517	22	165	13	27	T2-32(50)	8
32GF21.0 3Ø	32	432	349	45	177	190	155	60	45	70	110	¾"	40	201	110	5	55	435	120	492	22	165	13	25	T2-32(50)	8

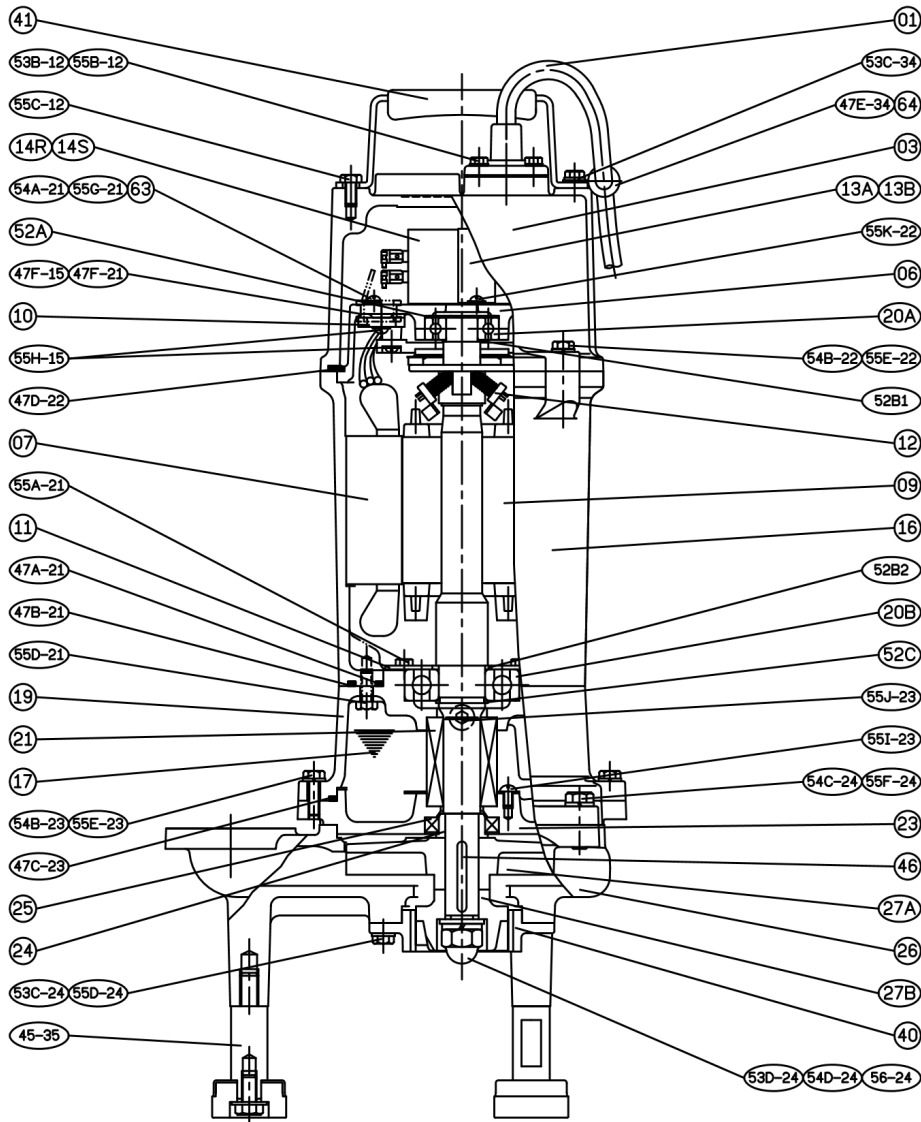
Dimensions-inch

Weight:lb

Model	d	A	B	C	D	E	F	G	I	J	J1	K	L	M	O1	P	P1	W1	W2	H1	H2	H3	H4	WT1	GRS Set	WT2
32GF21.0 1Ø	1¼	17	13¾	1¾	6⅞	7½	6⅞	2⅝	1¾	2¾	4⅝	¾	1⅞	7⅞	4⅝	¾	2⅞	18⅞	4¾	20⅜	⅞	6½	½	60	T2-32(50)	18
32GF21.0 3Ø	1¼	17	13¾	1¾	6⅞	7½	6⅞	2⅝	1¾	2¾	4⅝	¾	1⅞	7⅞	4⅝	¾	2⅞	17⅞	4¾	19⅜	⅞	6½	½	55	T2-32(50)	18

C.W.L.:Continuous Running Water Level
L.W.L.:Lowest Running Water Level

WT1:Pump Weight(Without Cable)
WT2:GRS Set Weight



NO.	Part name	Material	QTY
01	Cable		1
03	Upper Cover	FC200	1
05	Outlet Disk	FC200	1
07	Stator		1
09	Shaft End	SUS403	1
10	Auto-cut Protector		1
11	Bearing Fixer	SPCC	1
12	Centrifugal Switch		1
14R	Capacitor		1
14S	Start Capacitor		1
16	Motor Frame	FC200	1
17	Lubricant		
19	Bearing Bracket	FC200	1
20A	Bearing		1

NO.	Part name	Material	QTY
20B	Bearing		1
21	M. Seal	CA/CE & SiC/SiC	1
23	M. Seal Bracket	FC200	1
24	Oil Seal Bush	SUS403	1
25	Oil Seal	NBR	1
26	Casing	FC200	1
27A	Impeller	FC200	1
27B	Radial Cutter	SUS440C	1
40	Cutter Ring	SUS440C	1
41	Handle	SUS304	1
46	Impeller Key	SUS304	1
47	Gasket Kit		