
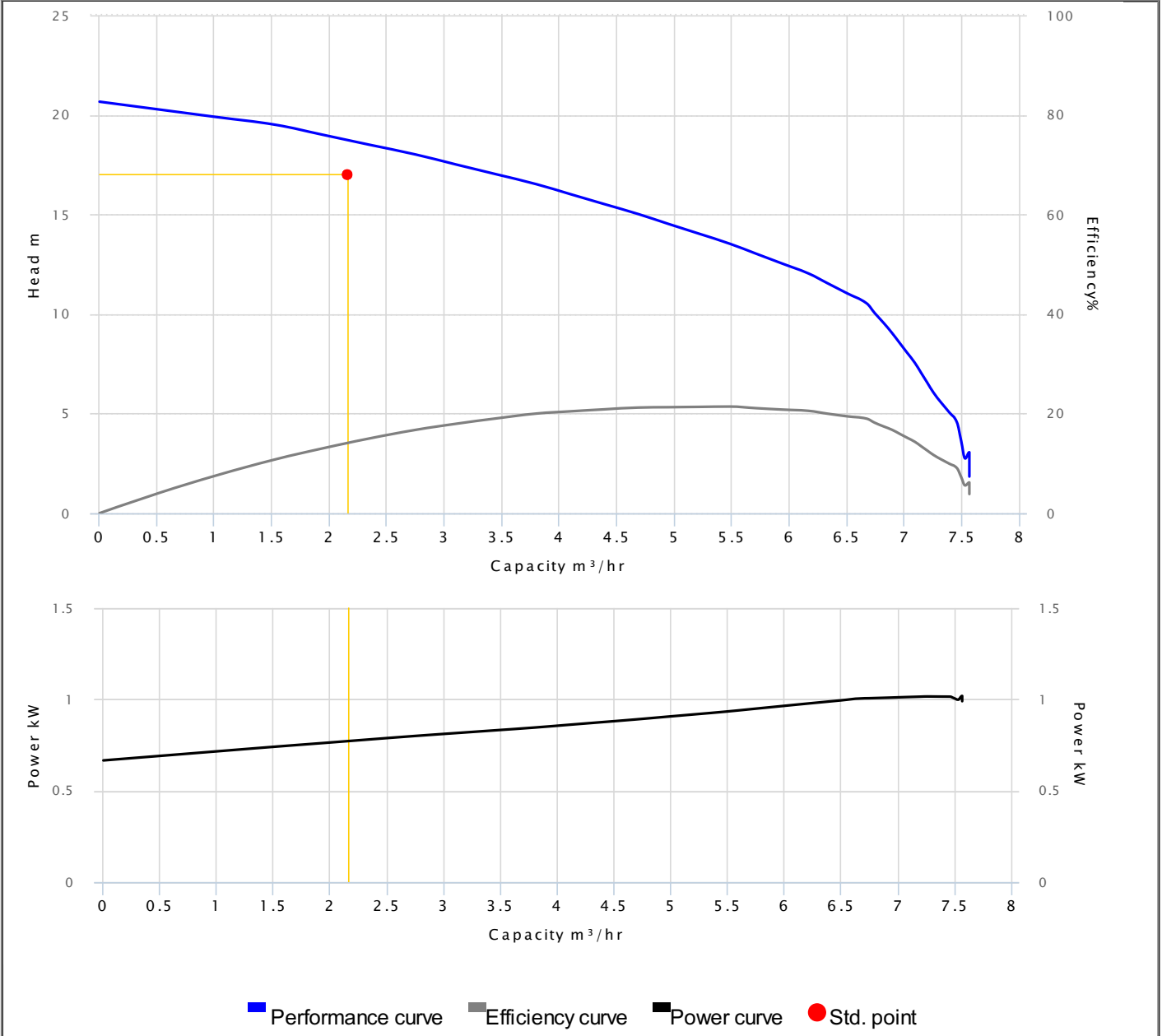




# HCP PUMP

## PUMP PERFORMANCE CURVES

|                         |                |   |         |
|-------------------------|----------------|---|---------|
| <b>Model</b>            | 32GF21.0       |  |         |
| <b>Frequency</b>        | 50 Hz          |   |         |
| <b>Discharge</b>        | 1.25" / 32 mm  |   |         |
| <b>Power</b>            | 1.3 HP / 1 kW  |   |         |
| <b>Std. Head</b>        | 17 m           |   |         |
| <b>Std. Capacity</b>    | 2.16 m³/hr     |   |         |
| <b>Phase/Volt</b>       | 1 Ø / 220 V    |   |         |
| <b>Rated Current</b>    | 6.60 A         |   |         |
| <b>rpm</b>              | 2 P / 2820 rpm |   |         |
| <b>Start Method</b>     | CAPACITOR      |   |         |
| <b>Insulation Class</b> | F              | <b>Efficiency</b>   | 14.6 %  |
| <b>Solid Passage</b>    | -              | <b>Output</b>   | 0.78 kW |

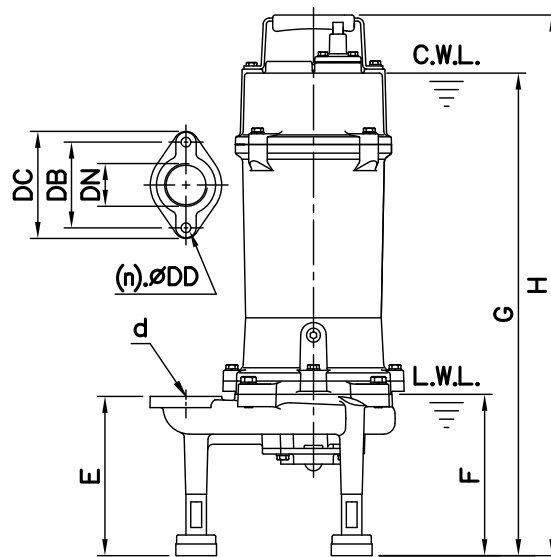
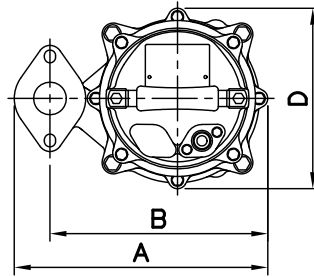


## DIMENSIONS

NO: SFGF0210032-00

MODEL: 32GF21.0

1Ø / 3Ø



| Flange        |     |
|---------------|-----|
| Female Thread |     |
| PF            | NPT |

Dimensions—mm

Weight:kg

| Model       | d  | A   | B   | D   | E   | F   | G   | H   | WT1 | Elbow (Flange) Set | DN | DB | DC  | DD | (n)QTY | WT2 |
|-------------|----|-----|-----|-----|-----|-----|-----|-----|-----|--------------------|----|----|-----|----|--------|-----|
| 32GF21.0 1Ø | 32 | 249 | 214 | 177 | 156 | 158 | 498 | 555 | 27  | EF1¼-84            | 32 | 84 | 105 | 10 | 2      | 1   |
| 32GF21.0 3Ø | 32 | 249 | 214 | 177 | 156 | 158 | 473 | 530 | 25  | EF1¼-84            | 32 | 84 | 105 | 10 | 2      | 1   |

Dimensions—inch

Weight:lb

| Model       | d  | A                               | B                              | D                               | E                             | F  | G                              | H                              | WT1 | Elbow (Flange) Set | DN | DB                             | DC                            | DD | (n)QTY | WT2 |
|-------------|----|---------------------------------|--------------------------------|---------------------------------|-------------------------------|----|--------------------------------|--------------------------------|-----|--------------------|----|--------------------------------|-------------------------------|----|--------|-----|
| 32GF21.0 1Ø | 1¼ | 9 <sup>13</sup> / <sub>16</sub> | 8 <sup>7</sup> / <sub>16</sub> | 6 <sup>15</sup> / <sub>16</sub> | 6 <sup>1</sup> / <sub>8</sub> | 6¼ | 19 <sup>5</sup> / <sub>8</sub> | 21 <sup>7</sup> / <sub>8</sub> | 60  | EF1¼-84            | 1¼ | 3 <sup>5</sup> / <sub>16</sub> | 4 <sup>1</sup> / <sub>8</sub> | ¾  | 2      | 1   |
| 32GF21.0 3Ø | 1¼ | 9 <sup>13</sup> / <sub>16</sub> | 8 <sup>7</sup> / <sub>16</sub> | 6 <sup>15</sup> / <sub>16</sub> | 6 <sup>1</sup> / <sub>8</sub> | 6¼ | 18 <sup>5</sup> / <sub>8</sub> | 20 <sup>7</sup> / <sub>8</sub> | 55  | EF1¼-84            | 1¼ | 3 <sup>5</sup> / <sub>16</sub> | 4 <sup>1</sup> / <sub>8</sub> | ¾  | 2      | 1   |

C.W.L.:Continuous Running Water Level  
L.W.L.:Lowest Running Water Level

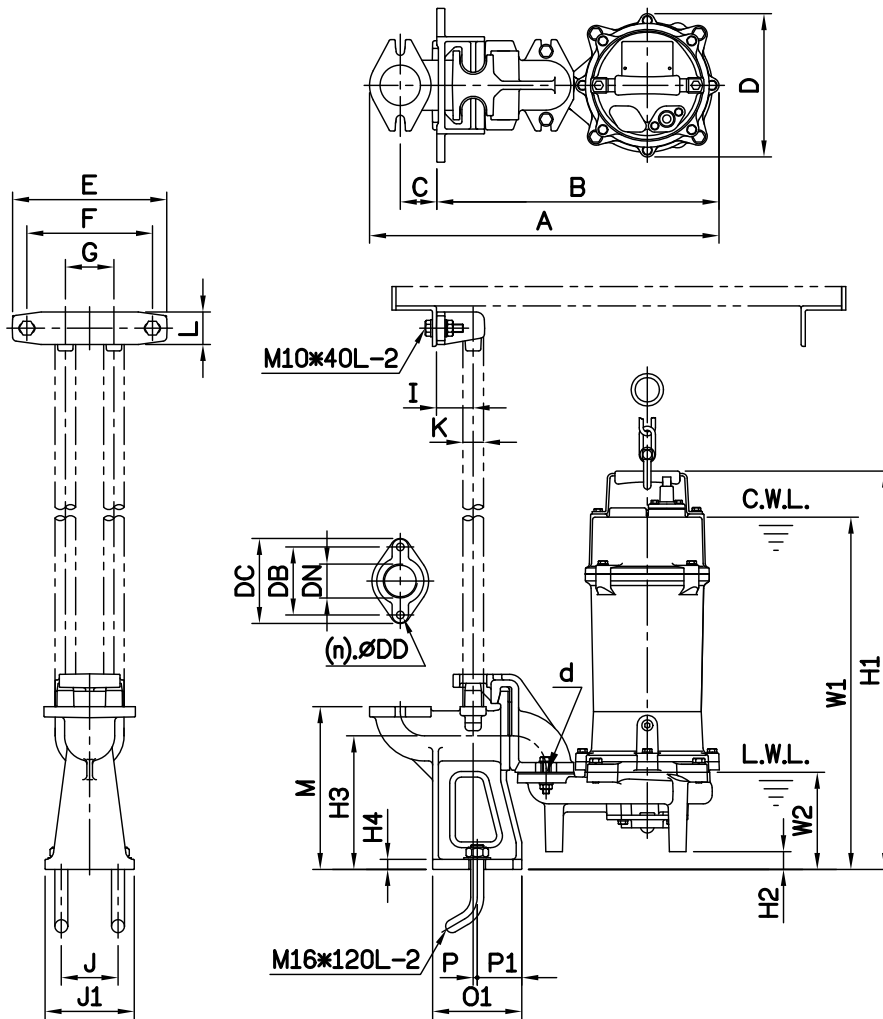
WT1:Pump Weight(Without Cable)  
WT2:Elbow Set Weight

## DIMENSIONS

NO: TFGF0210032-00

MODEL: 32GF21.0

1Ø / 3Ø



| Flange        |     |
|---------------|-----|
| Female Thread |     |
| PF            | NPT |

Dimensions-mm

| Elbow (Flange)Set | DN | DB | DC  | DD | (n)QTY |
|-------------------|----|----|-----|----|--------|
| EF1¼-84           | 32 | 84 | 105 | 10 | 2      |

Dimensions-inch

| Elbow (Flange)Set | DN | DB | DC | DD | (n)QTY |
|-------------------|----|----|----|----|--------|
| EF1¼-84           | 1¼ | 3⅝ | 4⅝ | ⅜  | 2      |

Dimensions-mm

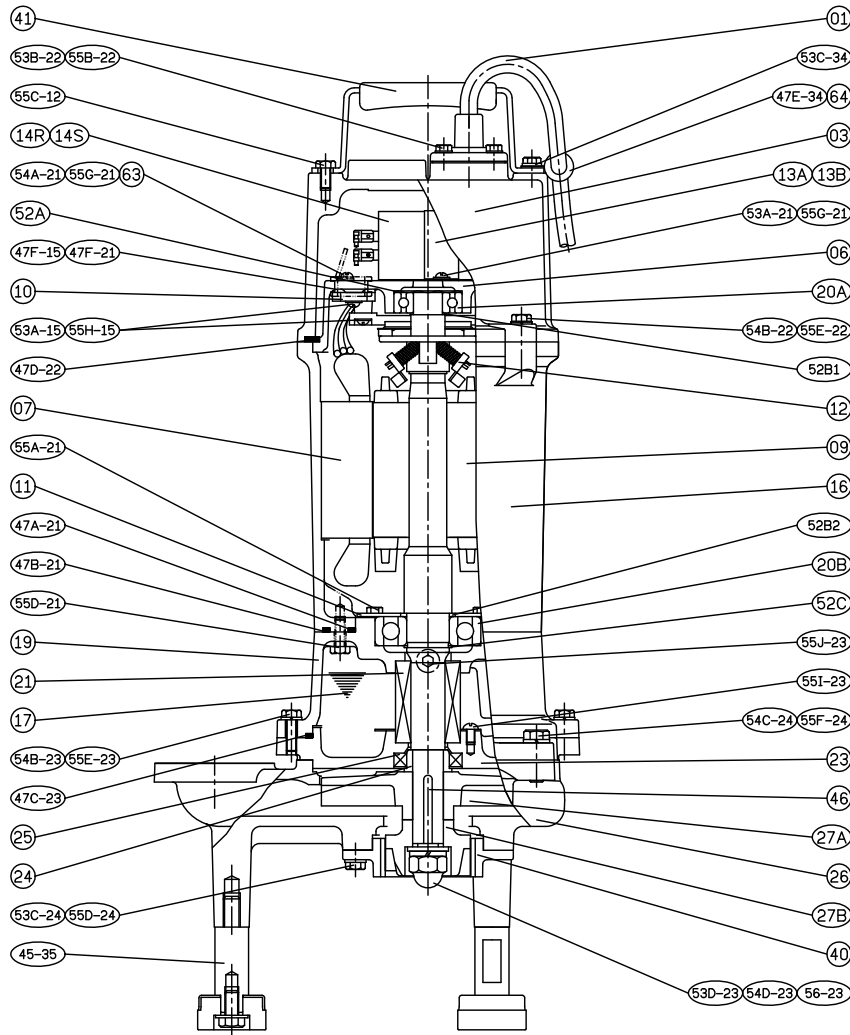
| Model       | d  | A   | B   | C  | D   | E   | F   | G  | I  | J  | J1  | K  | L  | M   | O1  | P | P1 | W1  | W2  | H1  | H2 | H3  | H4 | WT1 | Weight:kg |     |
|-------------|----|-----|-----|----|-----|-----|-----|----|----|----|-----|----|----|-----|-----|---|----|-----|-----|-----|----|-----|----|-----|-----------|-----|
|             |    |     |     |    |     |     |     |    |    |    |     |    |    |     |     |   |    |     |     |     |    |     |    |     | GRS Set   | WT2 |
| 32GF21.0 1Ø | 32 | 432 | 349 | 45 | 177 | 190 | 155 | 60 | 45 | 70 | 110 | ¾" | 40 | 201 | 110 | 5 | 55 | 460 | 120 | 517 | 22 | 165 | 13 | 27  | T2-32(50) | 8   |
| 32GF21.0 3Ø | 32 | 432 | 349 | 45 | 177 | 190 | 155 | 60 | 45 | 70 | 110 | ¾" | 40 | 201 | 110 | 5 | 55 | 435 | 120 | 492 | 22 | 165 | 13 | 25  | T2-32(50) | 8   |

Dimensions-inch

| Model       | d  | A  | B   | C  | D  | E  | F  | G  | I  | J  | J1 | K | L  | M  | O1 | P | P1 | W1  | W2 | H1  | H2 | H3 | H4 | WT1 | Weight:lb |     |
|-------------|----|----|-----|----|----|----|----|----|----|----|----|---|----|----|----|---|----|-----|----|-----|----|----|----|-----|-----------|-----|
|             |    |    |     |    |    |    |    |    |    |    |    |   |    |    |    |   |    |     |    |     |    |    |    |     | GRS Set   | WT2 |
| 32GF21.0 1Ø | 1¼ | 17 | 13¾ | 1¾ | 6⅝ | 7½ | 6⅝ | 2⅝ | 1¾ | 2¾ | 4⅝ | ¾ | 1⅞ | 7⅝ | 4⅝ | ¾ | 2⅝ | 18⅞ | 4¾ | 20⅝ | ⅞  | 6½ | ½  | 60  | T2-32(50) | 18  |
| 32GF21.0 3Ø | 1¼ | 17 | 13¾ | 1¾ | 6⅝ | 7½ | 6⅝ | 2⅝ | 1¾ | 2¾ | 4⅝ | ¾ | 1⅞ | 7⅝ | 4⅝ | ¾ | 2⅝ | 17⅞ | 4¾ | 19⅝ | ⅞  | 6½ | ½  | 55  | T2-32(50) | 18  |

C.W.L.:Continuous Running Water Level  
L.W.L.:Lowest Running Water Level

WT1:Pump Weight(Without Cable)  
WT2:GRS Set Weight



| No. | Part name          | Material | QTY | Remark |
|-----|--------------------|----------|-----|--------|
| 01  | Cable              |          | 1   |        |
| 03  | Upper cover        | FC200    | 1   |        |
| 06  | Bracket            | FC200    | 1   |        |
| 07  | Stator             |          | 1   |        |
| 09  | Shaft end          | SUS403   | 1   |        |
| 10  | Auto-cut Protector |          | 1   |        |
| 11  | Bearing fixer      | SPCC     | 1   |        |
| 12  | Centrifugal switch |          | 1   |        |
| 14R | Capacitor          |          | 1   |        |
| 14S | Start capacitor    |          | 1   |        |
| 16  | Motor frame        | FC200    | 1   |        |
| 17  | Lubricant          |          |     |        |
| 19  | Bearing bracket    | FC200    | 1   |        |

| No. | Part name       | Material               | QTY | Remark |
|-----|-----------------|------------------------|-----|--------|
| 20A | Bearing         |                        | 1   |        |
| 20B | Bearing         |                        | 1   |        |
| 21  | M.seal          | CA / CE &<br>SIC / SIC | 1   |        |
| 23  | M. seal bracket | FC200                  | 1   |        |
| 24  | Oil seal bush   | SUS403                 | 1   |        |
| 25  | Oil seal        | NBR                    | 1   |        |
| 26  | Casing          | FC200                  | 1   |        |
| 27A | Impeller        | FC200                  | 1   |        |
| 27B | Radial cutter   | SUS440C                | 1   |        |
| 40  | Cutter ring     | SUS440C                | 1   |        |
| 41  | Handle          | SUS304                 | 1   |        |
| 46  | Impeller key    | SUS304                 | 1   |        |
| 47  | Packing         |                        |     |        |