
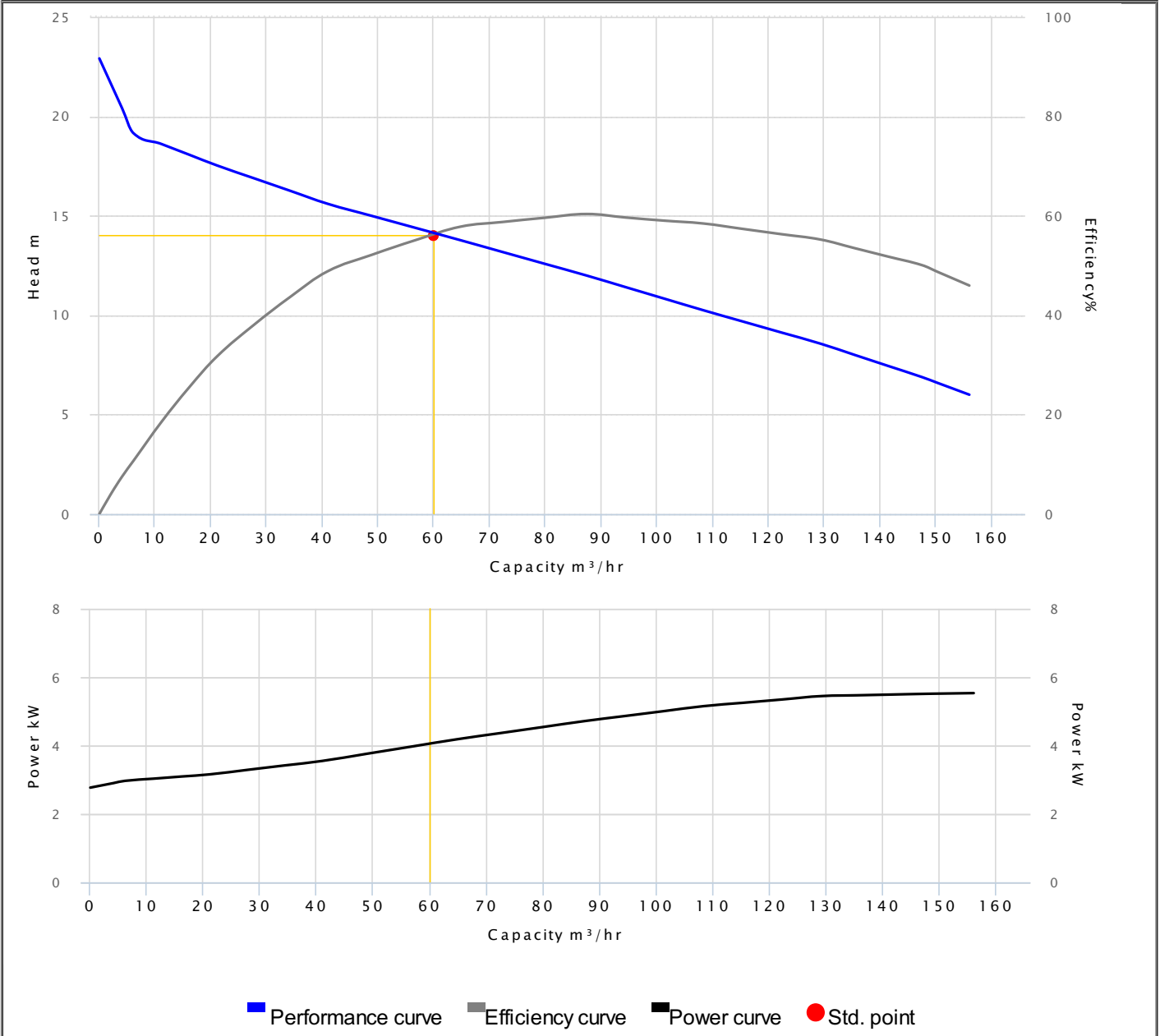




HCP PUMP

PUMP PERFORMANCE CURVES

Model	100(150)AFE45.5		
Frequency	50 Hz		
Discharge	4" / 100 mm		
Power	7.5 HP / 5.5 kW		
Std. Head	14 m		
Std. Capacity	60 m ³ /hr		
Phase/Volt	3 Ø / 380 V		
Rated Current	12.60 A		
rpm	4 P / 1440 rpm		
Start Method	DIRECT		
Insulation Class	H	Efficiency	56.4 %
Solid Passage	76 mm	Output	4.07 kW

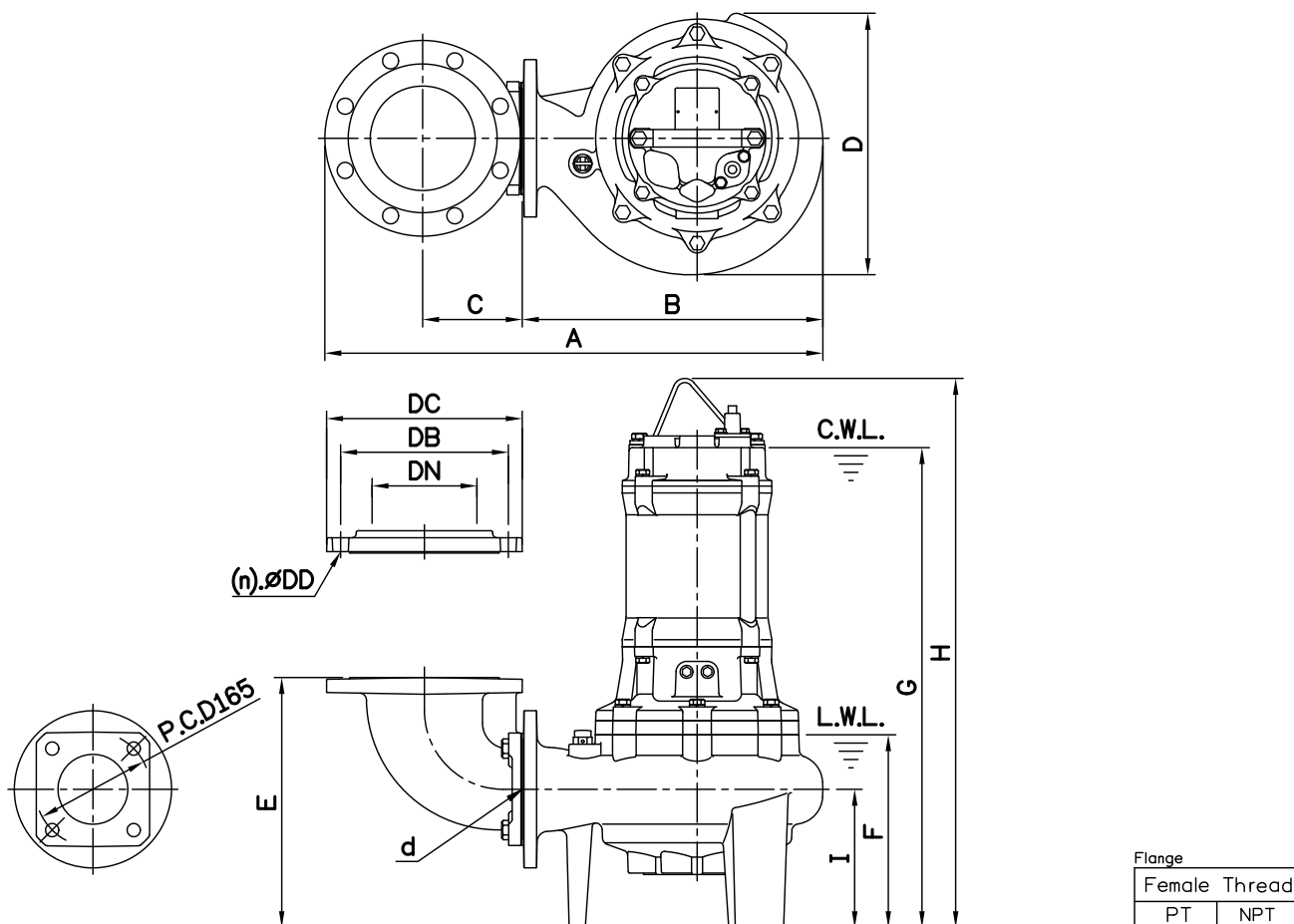


DIMENSIONS

NO: S4AFE475030-00

MODEL: 100(150)AFE45.5 / 47.5

50Hz 3Ø



Dimensions—mm

Weight:kg

Model	d	A	B	C	D	E	F	G	H	I	WT1	Elbow (Flange)Set	DN	DB	DC	DD	(n)QTY	WT2
100(150)AFE45.5	100	653	430	113	374	328	276	687	786	198	110	EB4-175A	100	175	210	15	8	13
100(150)AFE45.5	100	713	430	143	374	358	276	687	786	198	110	EB6-240(165)	150	240	280	23	8	23
100(150)AFE47.5	100	653	430	113	374	328	276	727	826	198	120	EB4-175A	100	175	210	15	8	13
100(150)AFE47.5	100	713	430	143	374	358	276	727	826	198	120	EB6-240(165)	150	240	280	23	8	23

Dimensions—inch

Weight:lb

Model	d	A	B	C	D	E	F	G	H	I	WT1	Elbow (Flange)Set	DN	DB	DC	DD	(n)QTY	WT2
100(150)AFE45.5	4	25 ⁷ / ₈	16 ⁵ / ₈	4 ¹ / ₈	14 ³ / ₄	12 ⁵ / ₈	10 ⁷ / ₈	27 ¹ / ₄	30 ³ / ₈	7 ⁷ / ₈	243	EB4-175A	4	6 ³ / ₄	8 ¹ / ₄	3 ¹ / ₈	8	29
100(150)AFE45.5	4	28 ¹ / ₈	16 ⁵ / ₈	5 ⁵ / ₈	14 ³ / ₄	14 ¹ / ₂	10 ⁷ / ₈	27 ¹ / ₄	30 ³ / ₈	7 ⁷ / ₈	243	EB6-240(165)	6	9 ⁷ / ₈	11	7 ¹ / ₈	8	51
100(150)AFE47.5	4	25 ⁷ / ₈	16 ⁵ / ₈	4 ¹ / ₈	14 ³ / ₄	12 ⁵ / ₈	10 ⁷ / ₈	28 ³ / ₈	32 ¹ / ₂	7 ⁷ / ₈	265	EB4-175A	4	6 ³ / ₄	8 ¹ / ₄	3 ¹ / ₈	8	29
100(150)AFE47.5	4	28 ¹ / ₈	16 ⁵ / ₈	5 ⁵ / ₈	14 ³ / ₄	14 ¹ / ₂	10 ⁷ / ₈	28 ³ / ₈	32 ¹ / ₂	7 ⁷ / ₈	265	EB6-240(165)	6	9 ⁷ / ₈	11	7 ¹ / ₈	8	51

C.W.L.:Continuous Running Water Level
L.W.L.:Lowest Running Water Level

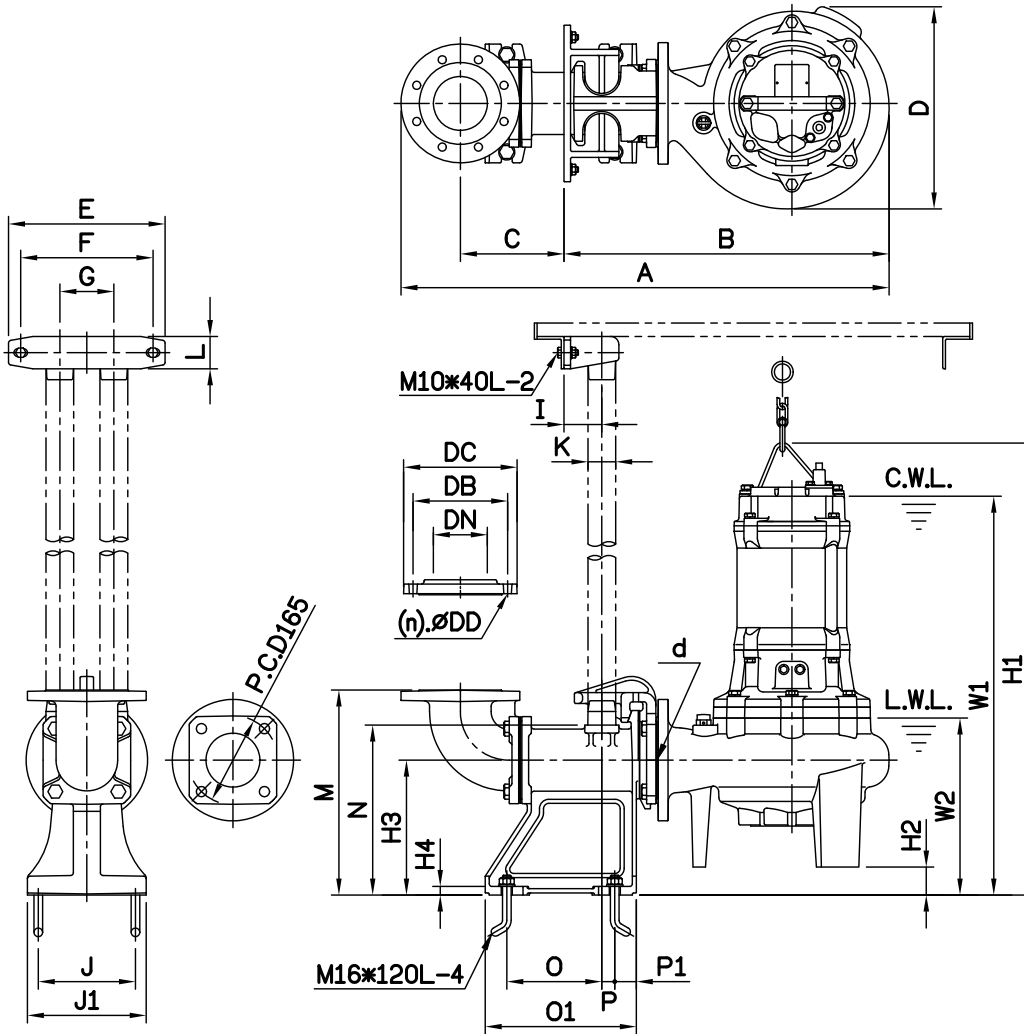
WT1:Pump Weight(Without Cable)
WT2:Elbow Set Weight

DIMENSIONS

NO: T6AFE475030-00

MODEL: 100(150)AFE45.5 / 47.5

50Hz 3Ø



Flange	
Female Thread	
PT	NPT

Dimensions-mm

Elbow (Flange)Set	DN	DB	DC	DD	(n)QTY
EF4-175	100	175	210	15	8
EF6-240	150	240	280	23	8

Dimensions-inch

Elbow (Flange)Set	DN	DB	DC	DD	(n)QTY
EF4-175	4	6 ⁷ / ₈	8 ³ / ₄	³ / ₁₆	8
EF6-240	6	9 ⁵ / ₁₆	11	⁷ / ₁₆	8

Dimensions-mm

Model	d	A	B	C	D	E	F	G	I	J	J1	K	L	M	N	O	O1	P	P1	W1	W2	H1	H2	H3	H4	WT1	Weight:kg	
																											GRS Set	WT2
100(150)AFE45.5	100	907	605	192	374	290	245	100	70	180	220	2"	60	380	315	176	280	24	40	739	328	838	52	250	16	110	T100B	45
100(150)AFE47.5	100	907	605	192	374	290	245	100	70	180	220	2"	60	380	315	176	280	24	40	779	328	878	52	250	16	120	T100B	45
100(150)AFE45.5	100	967	605	192	374	290	245	100	70	180	220	2"	60	410	315	176	280	24	40	739	328	838	52	250	16	110	T150(100)B	50
100(150)AFE47.5	100	967	605	192	374	290	245	100	70	180	220	2"	60	410	315	176	280	24	40	779	328	878	52	250	16	120	T150(100)B	50

Dimensions-inch

Model	d	A	B	C	D	E	F	G	I	J	J1	K	L	M	N	O	O1	P	P1	W1	W2	H1	H2	H3	H4	WT1	Weight:lb	
																											GRS Set	WT2
100(150)AFE45.5	4	35 ⁷ / ₁₆	23 ³ / ₁₆	7 ⁵ / ₁₆	14 ³ / ₄	11 ¹ / ₁₆	9 ⁵ / ₁₆	3 ¹⁵ / ₁₆	2 ³ / ₄	7 ¹ / ₁₆	8 ¹¹ / ₁₆	2	2 ³ / ₈	14 ¹⁵ / ₁₆	12 ³ / ₈	6 ¹⁵ / ₁₆	11	1 ⁵ / ₁₆	1 ¹ / ₁₆	29 ⁹ / ₁₆	12 ¹⁵ / ₁₆	33	2 ¹ / ₁₆	9 ¹³ / ₁₆	5 ⁵ / ₁₆	243	T100B	99
100(150)AFE47.5	4	35 ⁷ / ₁₆	23 ³ / ₁₆	7 ⁵ / ₁₆	14 ³ / ₄	11 ¹ / ₁₆	9 ⁵ / ₁₆	3 ¹⁵ / ₁₆	2 ³ / ₄	7 ¹ / ₁₆	8 ¹¹ / ₁₆	2	2 ³ / ₈	14 ¹⁵ / ₁₆	12 ³ / ₈	6 ¹⁵ / ₁₆	11	1 ⁵ / ₁₆	1 ¹ / ₁₆	30 ³ / ₁₆	12 ¹⁵ / ₁₆	34 ¹ / ₁₆	2 ¹ / ₁₆	9 ¹³ / ₁₆	5 ⁵ / ₁₆	265	T100B	99
100(150)AFE45.5	4	38 ¹ / ₁₆	23 ³ / ₁₆	7 ⁵ / ₁₆	14 ³ / ₄	11 ¹ / ₁₆	9 ⁵ / ₁₆	3 ¹⁵ / ₁₆	2 ³ / ₄	7 ¹ / ₁₆	8 ¹¹ / ₁₆	2	2 ³ / ₈	16 ¹ / ₈	12 ³ / ₈	6 ¹⁵ / ₁₆	11	1 ⁵ / ₁₆	1 ¹ / ₁₆	29 ⁹ / ₁₆	12 ¹⁵ / ₁₆	33	2 ¹ / ₁₆	9 ¹³ / ₁₆	5 ⁵ / ₁₆	243	T150(100)B	110
100(150)AFE47.5	4	36 ¹ / ₁₆	22 ¹ / ₁₆	7 ⁵ / ₁₆	13 ³ / ₁₆	11 ¹ / ₁₆	9 ⁵ / ₁₆	3 ¹⁵ / ₁₆	2 ³ / ₄	7 ¹ / ₁₆	8 ¹¹ / ₁₆	2	2 ¹ / ₈	16 ¹ / ₈	12 ³ / ₈	6 ¹⁵ / ₁₆	11	1 ⁵ / ₁₆	1 ¹ / ₁₆	30 ⁷ / ₁₆	13 ³ / ₈	34 ³ / ₄	2 ¹ / ₁₆	9 ¹³ / ₁₆	5 ⁵ / ₁₆	249	T150(100)B	110

C.W.L.:Continuous Running Water Level
L.W.L.:Lowest Running Water Level

WT1:Pump Weight(Without Cable)
WT2:GRS Set Weight

