
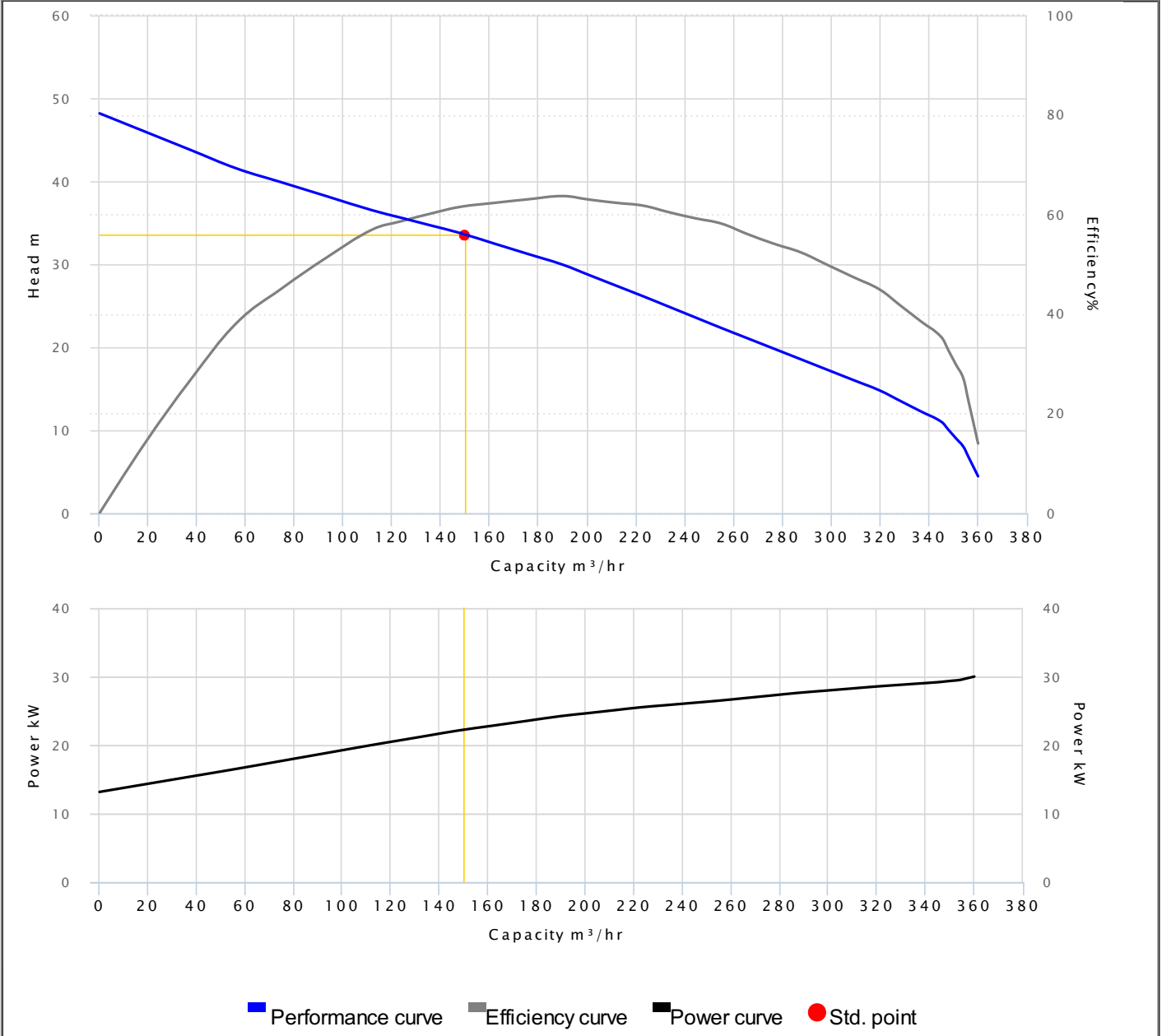


HCP PUMP

PUMP PERFORMANCE CURVES

Model	100(150)AFE430		
Frequency	50 Hz		
Discharge	6" / 150 mm		
Power	40 HP / 30 kW		
Std. Head	33.5 m		
Std. Capacity	150 m ³ /hr		
Phase/Volt	3 Ø / 380 V		
Rated Current	57.40 A		
rpm	4 P / 1450 rpm		
Start Method	STAR-DELTA		
Insulation Class	H		
Solid Passage	76 mm	Output	22.27 kW

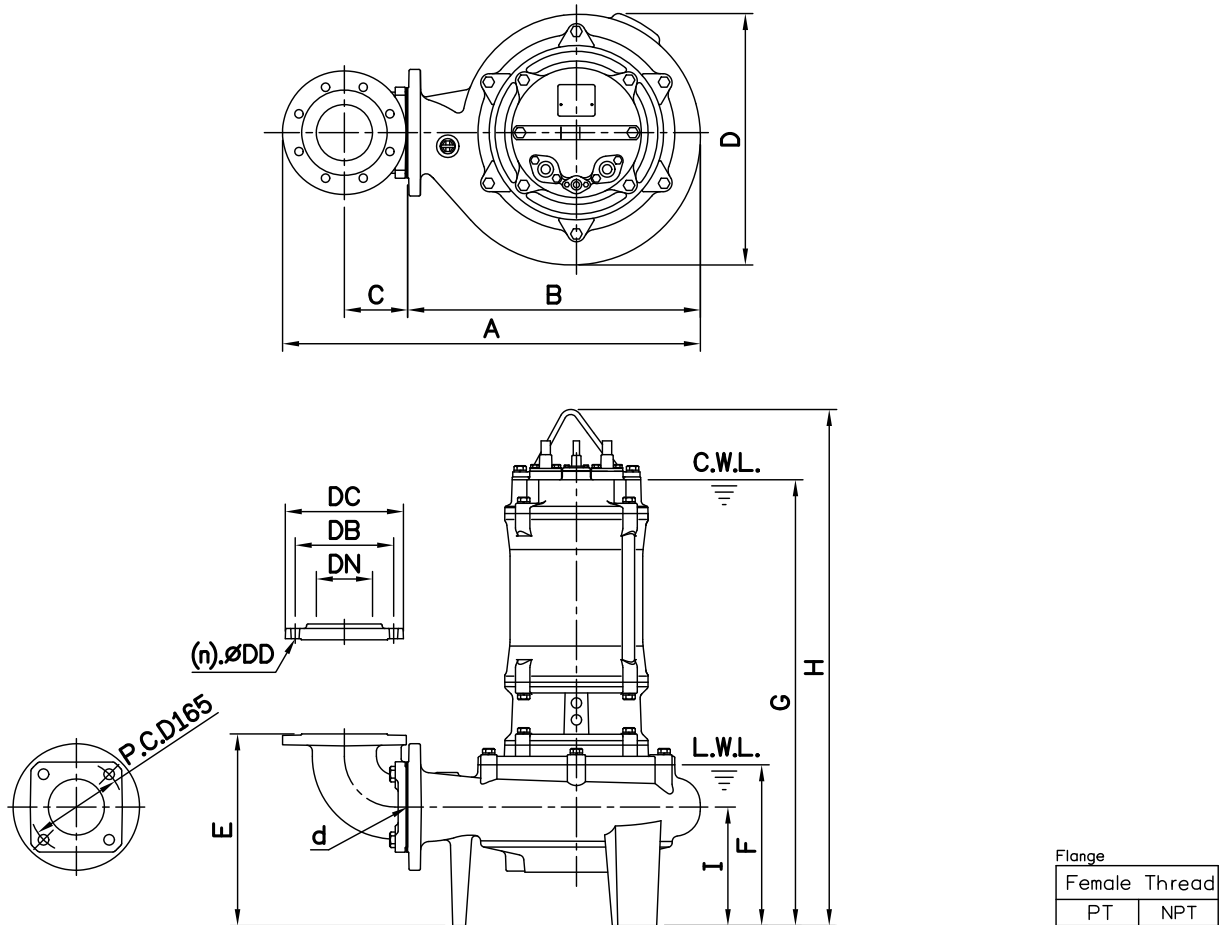


DIMENSIONS

NO: S4AFE4C0030-00

MODEL: 100(150)AFE411 / 415 / 422 / 430

50Hz 3Ø



Dimensions—mm

Weight:kg

Model	d	A	B	C	D	E	F	G	H	I	WT1	Elbow (Flange)Set	DN	DB	DC	DD	(n)QTY	WT2
100(150)AFE411	100	743	520	113	447	341	286	793	918	211	164	EB4-175A	100	175	210	15	8	13
100(150)AFE411	100	803	520	143	447	371	286	793	918	211	164	EB6-240(165)	150	240	280	23	8	23
100(150)AFE415	100	743	520	113	447	341	286	793	918	211	176	EB4-175A	100	175	210	15	8	13
100(150)AFE415	100	803	520	143	447	371	286	793	918	211	176	EB6-240(165)	150	240	280	23	8	23
100(150)AFE422	100	778	555	113	476	352	297	834	979	222	229	EB4-175A	100	175	210	15	8	13
100(150)AFE422	100	838	555	143	476	382	297	834	979	222	229	EB6-240(165)	150	240	280	23	8	23
100(150)AFE430	100	778	555	113	476	352	297	874	1019	222	250	EB4-175A	100	175	210	15	8	13
100(150)AFE430	100	838	555	143	476	382	297	874	1019	222	250	EB6-240(165)	150	240	280	23	8	23

Dimensions—inch

Weight:lb

Model	d	A	B	C	D	E	F	G	H	I	WT1	Elbow (Flange)Set	DN	DB	DC	DD	(n)QTY	WT2
100(150)AFE411	4	29 1/4	20 1/2	4 7/16	17 3/8	13 7/16	11 1/4	31 1/4	36 1/8	8 5/16	362	EB4-175A	4	6 7/8	8 1/4	3/8	8	29
100(150)AFE411	4	31 3/8	20 1/2	5 3/8	17 3/8	14 5/8	11 1/4	31 1/4	36 1/8	8 5/16	362	EB6-240(165)	6	9 5/16	11	7/8	8	51
100(150)AFE415	4	29 1/4	20 1/2	4 7/16	17 3/8	13 7/16	11 1/4	31 1/4	36 1/8	8 5/16	388	EB4-175A	4	6 7/8	8 1/4	3/8	8	29
100(150)AFE415	4	31 3/8	20 1/2	5 3/8	17 3/8	14 5/8	11 1/4	31 1/4	36 1/8	8 5/16	388	EB6-240(165)	6	9 5/16	11	7/8	8	51
100(150)AFE422	4	30 3/8	21 1/8	4 7/16	18 3/4	13 7/8	11 1/8	32 3/8	38 3/16	8 3/4	505	EB4-175A	4	6 7/8	8 1/4	3/8	8	29
100(150)AFE422	4	33	21 1/8	5 3/8	18 3/4	15 1/8	11 1/8	32 3/8	38 3/16	8 3/4	505	EB6-240(165)	6	9 5/16	11	7/8	8	51
100(150)AFE430	4	30 3/8	21 1/8	4 7/16	18 3/4	13 7/8	11 1/8	34 1/8	40 3/16	8 3/4	551	EB4-175A	4	6 7/8	8 1/4	3/8	8	29
100(150)AFE430	4	33	21 1/8	5 3/8	18 3/4	15 1/8	11 1/8	34 1/8	40 3/16	8 3/4	551	EB6-240(165)	6	9 5/16	11	7/8	8	51

C.W.L.:Continuous Running Water Level
L.W.L.:Lowest Running Water Level

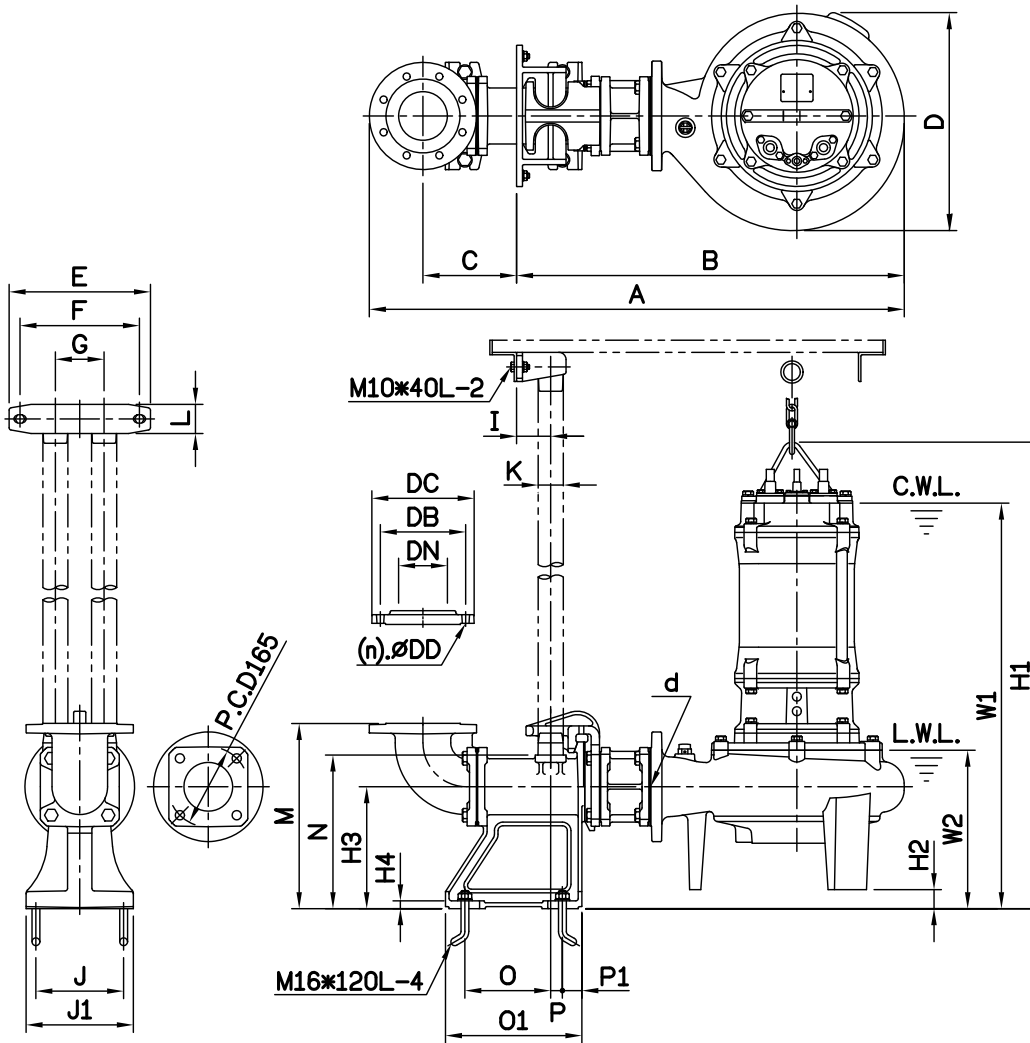
WT1:Pump Weight(Without Cable)
WT2:Elbow Set Weight

DIMENSIONS

NO: T4AFE4C0030-00

MODEL: 100(150)AFE411 / 415 / 422 / 430

50Hz 3Ø



Flange	
Female Thread	
PT	NPT

Dimensions—mm

Elbow (Flange) Set	DN	DB	DC	DD	(n)QTY
EF4-175	100	175	210	15	8
EF6-240	150	240	280	23	8

Dimensions—inch

Elbow (Flange) Set	DN	DB	DC	DD	(n)QTY
EF4-175	4	6 ⁷ / ₈	8 ³ / ₄	¹ / ₂	8
EF6-240	6	9 ⁵ / ₁₆	11	⁷ / ₈	8

Dimensions—mm

Model	d	A	B	C	D	E	F	G	I	J	J1	K	L	M	N	O	O1	P	P1	W1	W2	H1	H2	H3	H4	WT1	Weight:kg	
																											GRS Set	WT2
100(150)AFE411	100	1097	795	192	447	290	245	100	70	180	220	2"	60	380	315	176	280	24	40	832	250	957	39	250	16	164	T100BH	51
100(150)AFE411	100	1158	795	223	447	290	245	100	70	180	220	2"	60	410	315	176	280	24	40	832	250	957	39	250	16	164	T150(100)BH	56
100(150)AFE415	100	1097	795	192	447	290	245	100	70	180	220	2"	60	380	315	176	280	24	40	832	250	957	39	250	16	176	T100BH	51
100(150)AFE415	100	1158	795	223	447	290	245	100	70	180	220	2"	60	410	315	176	280	24	40	832	250	957	39	250	16	176	T150(100)BH	56
100(150)AFE422	100	1132	830	192	475	290	245	100	70	180	220	2"	60	380	315	176	280	24	40	862	325	1007	28	250	16	229	T100BH	51
100(150)AFE422	100	1193	830	223	475	290	245	100	70	180	220	2"	60	410	315	176	280	24	40	862	325	1007	28	250	16	229	T150(100)BH	56
100(150)AFE430	100	1132	830	192	475	290	245	100	70	180	220	2"	60	380	315	176	280	24	40	902	325	1047	28	250	16	250	T100BH	51
100(150)AFE430	100	1193	830	223	475	290	245	100	70	180	220	2"	60	410	315	176	280	24	40	902	325	1047	28	250	16	250	T150(100)BH	56

Dimensions—inch

Model	d	A	B	C	D	E	F	G	I	J	J1	K	L	M	N	O	O1	P	P1	W1	W2	H1	H2	H3	H4	WT1	Weight:lb	
																											GRS Set	WT2
100(150)AFE411	4	43 ³ / ₁₆	31 ⁵ / ₁₆	7 ⁷ / ₁₆	17 ⁵ / ₁₆	11 ¹ / ₁₆	9 ⁵ / ₁₆	3 ¹⁵ / ₁₆	2 ⁷ / ₁₆	7 ¹ / ₁₆	8 ¹¹ / ₁₆	2	2 ³ / ₈	14 ¹⁵ / ₁₆	12 ³ / ₈	6 ¹⁵ / ₁₆	11	1 ¹⁵ / ₁₆	1 ¹ / ₁₆	32 ³ / ₄	9 ¹³ / ₁₆	37 ¹ / ₁₆	1 ¹ / ₈	9 ¹³ / ₁₆	5 ¹ / ₈	362	T100BH	112
100(150)AFE411	4	45 ⁵ / ₁₆	31 ⁵ / ₁₆	8 ³ / ₄	17 ⁵ / ₁₆	11 ¹ / ₁₆	9 ⁵ / ₁₆	3 ¹⁵ / ₁₆	2 ⁷ / ₁₆	7 ¹ / ₁₆	8 ¹¹ / ₁₆	2	2 ³ / ₈	16 ¹ / ₈	12 ³ / ₈	6 ¹⁵ / ₁₆	11	1 ¹⁵ / ₁₆	1 ¹ / ₁₆	32 ³ / ₄	9 ¹³ / ₁₆	37 ¹ / ₁₆	1 ¹ / ₈	9 ¹³ / ₁₆	5 ¹ / ₈	362	T150(100)BH	123
100(150)AFE415	4	43 ³ / ₁₆	31 ⁵ / ₁₆	7 ⁷ / ₁₆	17 ⁵ / ₁₆	11 ¹ / ₁₆	9 ⁵ / ₁₆	3 ¹⁵ / ₁₆	2 ⁷ / ₁₆	7 ¹ / ₁₆	8 ¹¹ / ₁₆	2	2 ³ / ₈	14 ¹⁵ / ₁₆	12 ³ / ₈	6 ¹⁵ / ₁₆	11	1 ¹⁵ / ₁₆	1 ¹ / ₁₆	32 ³ / ₄	9 ¹³ / ₁₆	37 ¹ / ₁₆	1 ¹ / ₈	9 ¹³ / ₁₆	5 ¹ / ₈	388	T100BH	112
100(150)AFE415	4	45 ⁵ / ₁₆	31 ⁵ / ₁₆	8 ³ / ₄	17 ⁵ / ₁₆	11 ¹ / ₁₆	9 ⁵ / ₁₆	3 ¹⁵ / ₁₆	2 ⁷ / ₁₆	7 ¹ / ₁₆	8 ¹¹ / ₁₆	2	2 ³ / ₈	16 ¹ / ₈	12 ³ / ₈	6 ¹⁵ / ₁₆	11	1 ¹⁵ / ₁₆	1 ¹ / ₁₆	32 ³ / ₄	9 ¹³ / ₁₆	37 ¹ / ₁₆	1 ¹ / ₈	9 ¹³ / ₁₆	5 ¹ / ₈	388	T150(100)BH	123
100(150)AFE422	4	44 ¹ / ₁₆	32 ¹ / ₁₆	7 ⁷ / ₁₆	18 ¹ / ₁₆	11 ¹ / ₁₆	9 ⁵ / ₁₆	3 ¹⁵ / ₁₆	2 ⁷ / ₁₆	7 ¹ / ₁₆	8 ¹¹ / ₁₆	2	2 ³ / ₈	14 ¹⁵ / ₁₆	12 ³ / ₈	6 ¹⁵ / ₁₆	11	1 ¹⁵ / ₁₆	1 ¹ / ₁₆	33 ¹ / ₁₆	12 ³ / ₁₆	39 ³ / ₈	1 ¹ / ₈	9 ¹³ / ₁₆	5 ¹ / ₈	505	T100BH	112
100(150)AFE422	4	46 ¹ / ₁₆	32 ¹ / ₁₆	8 ³ / ₄	18 ¹ / ₁₆	11 ¹ / ₁₆	9 ⁵ / ₁₆	3 ¹⁵ / ₁₆	2 ⁷ / ₁₆	7 ¹ / ₁₆	8 ¹¹ / ₁₆	2	2 ³ / ₈	16 ¹ / ₈	12 ³ / ₈	6 ¹⁵ / ₁₆	11	1 ¹⁵ / ₁₆	1 ¹ / ₁₆	33 ¹ / ₁₆	12 ³ / ₁₆	39 ³ / ₈	1 ¹ / ₈	9 ¹³ / ₁₆	5 ¹ / ₈	505	T150(100)BH	123
100(150)AFE430	4	44 ¹ / ₁₆	32 ¹ / ₁₆	7 ⁷ / ₁₆	18 ¹ / ₁₆	11 ¹ / ₁₆	9 ⁵ / ₁₆	3 ¹⁵ / ₁₆	2 ⁷ / ₁₆	7 ¹ / ₁₆	8 ¹¹ / ₁₆	2	2 ³ / ₈	14 ¹⁵ / ₁₆	12 ³ / ₈	6 ¹⁵ / ₁₆	11	1 ¹⁵ / ₁₆	1 ¹ / ₁₆	35 ¹ / ₂	12 ³ / ₁₆	41 ¹ / ₄	1 ¹ / ₈	9 ¹³ / ₁₆	5 ¹ / ₈	551	T100BH	112
100(150)AFE430	4	46 ¹ / ₁₆	32 ¹ / ₁₆	8 ³ / ₄	18 ¹ / ₁₆	11 ¹ / ₁₆	9 ⁵ / ₁₆	3 ¹⁵ / ₁₆	2 ⁷ / ₁₆	7 ¹ / ₁₆	8 ¹¹ / ₁₆	2	2 ³ / ₈	16 ¹ / ₈	12 ³ / ₈	6 ¹⁵ / ₁₆	11	1 ¹⁵ / ₁₆	1 ¹ / ₁₆	35 ¹ / ₂	12 ³ / ₁₆	41 ¹ / ₄	1 ¹ / ₈	9 ¹³ / ₁₆	5 ¹ / ₈	551	T150(100)BH	123

C.W.L.:Continuous Running Water Level
L.W.L.:Lowest Running Water Level

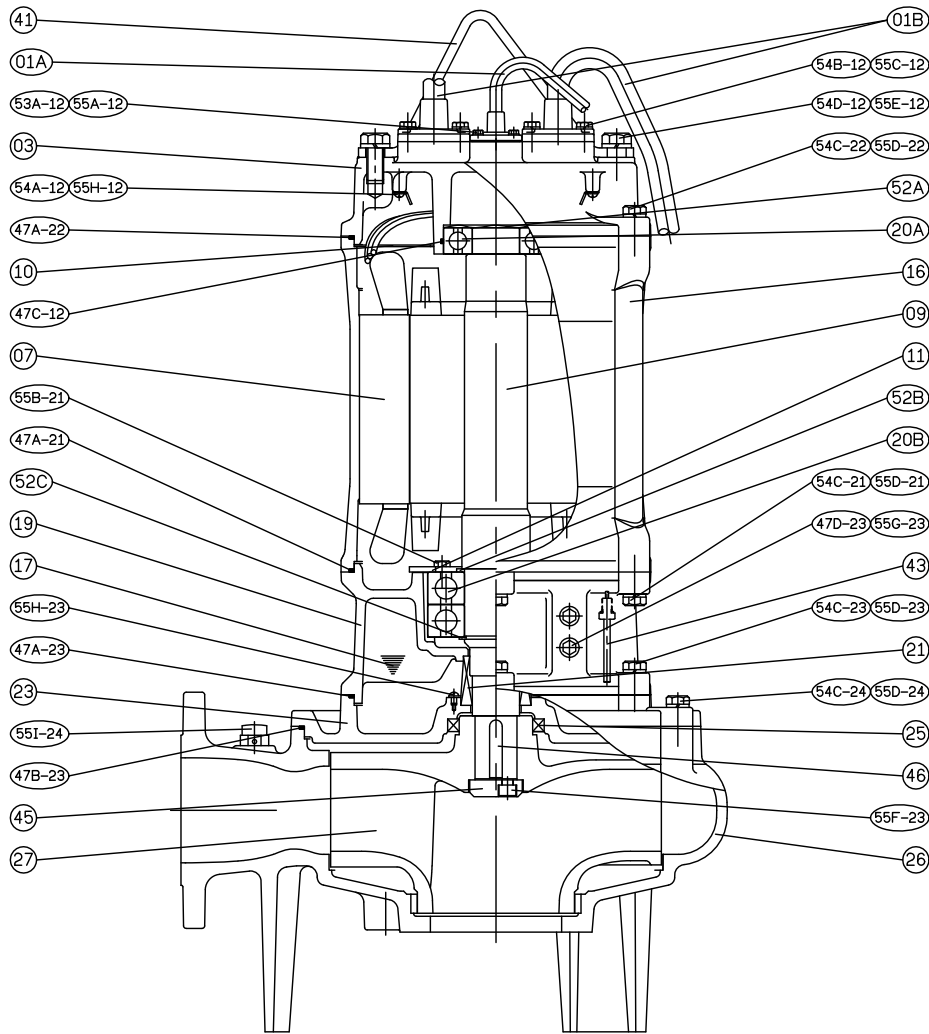
WT1:Pump Weight(Without Cable)
WT2:GRS Set Weight

SECTIONAL VIEWS

NO: 04AFE4C0030-0

MODEL: 100(150)AFE422 / 430

3Ø



No.	Part name	Material	QTY	Remark
01A	Cable		1	
01B	Cable		2	
03	Upper cover	FC200	1	
07	Stator		1	With MTS
09	Shaft end	SUS420J2	1	
10	Protective Plate		1	
11	Bearing fixer	SPCC	1	
16	Motor frame	FC200	1	
17	Lubricant			
19	Bearing bracket	FC200	1	
20A	Bearing		1	
20B	Bearing		2	
21	M.seal	CA / CE & SIC / SIC	1	

No.	Part name	Material	QTY	Remark
23	M. seal bracket	FC200	1	
25	Oil seal	304+NBR	1	
26	Casing	FC200	1	
	+Wear ring	BC6	1	
27	Impeller	FC200	1	
41	Handle	SS400	1	
43	Moisture sensor		1	
46	Impeller key	SUS304	1	
47	Packing			