
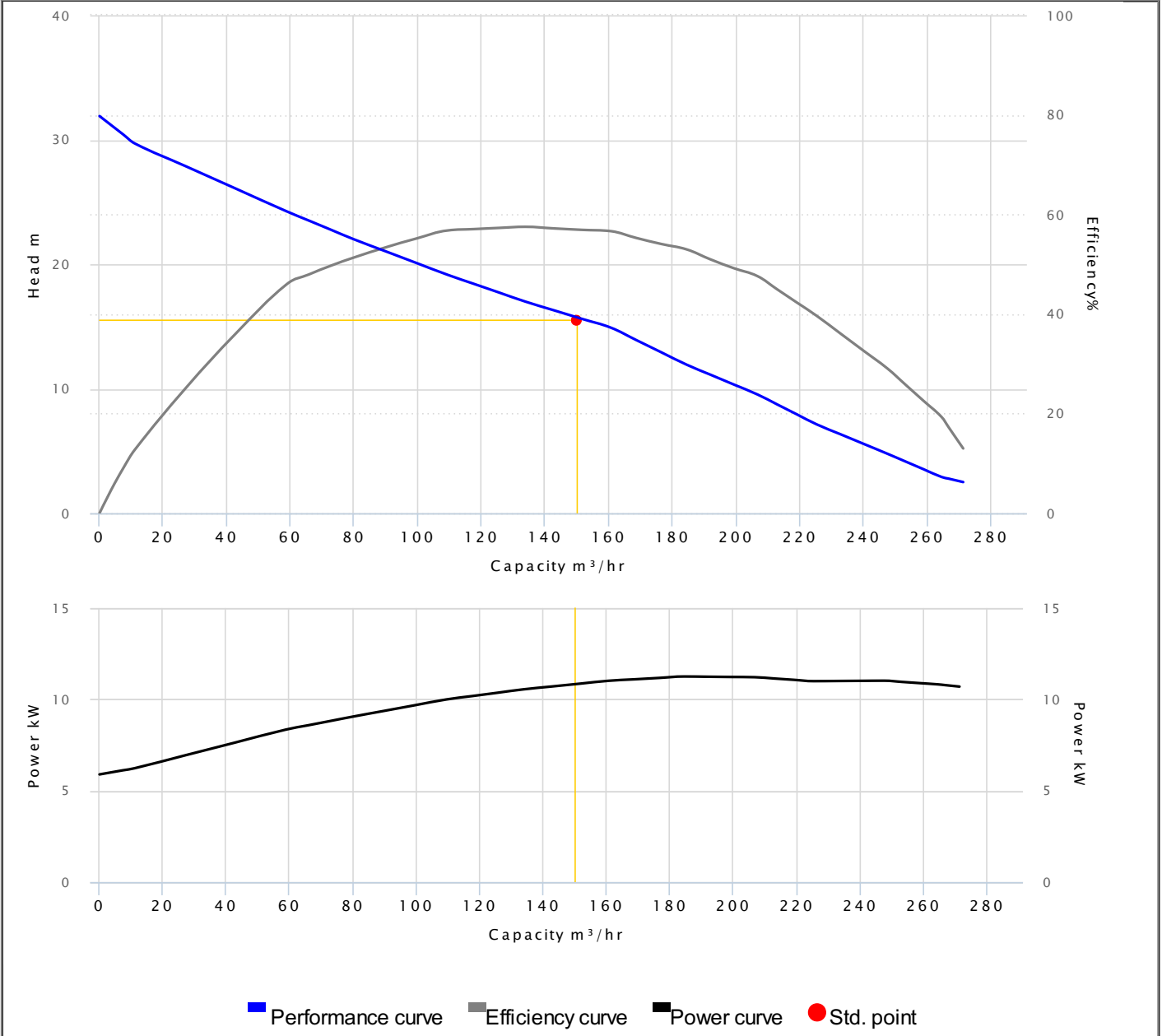


PUMP PERFORMANCE CURVES

Model	100(150)AFE411		
Frequency	50 Hz		
Discharge	6" / 150 mm		
Power	15 HP / 11 kW		
Std. Head	15.5 m		
Std. Capacity	150 m ³ /hr		
Phase/Volt	3 Ø / 380 V		
Rated Current	23.40 A		
rpm	4 P / 1450 rpm		
Start Method	STAR-DELTA		
Insulation Class	H	Efficiency	56.9 %
Solid Passage	76 mm	Output	10.87 kW

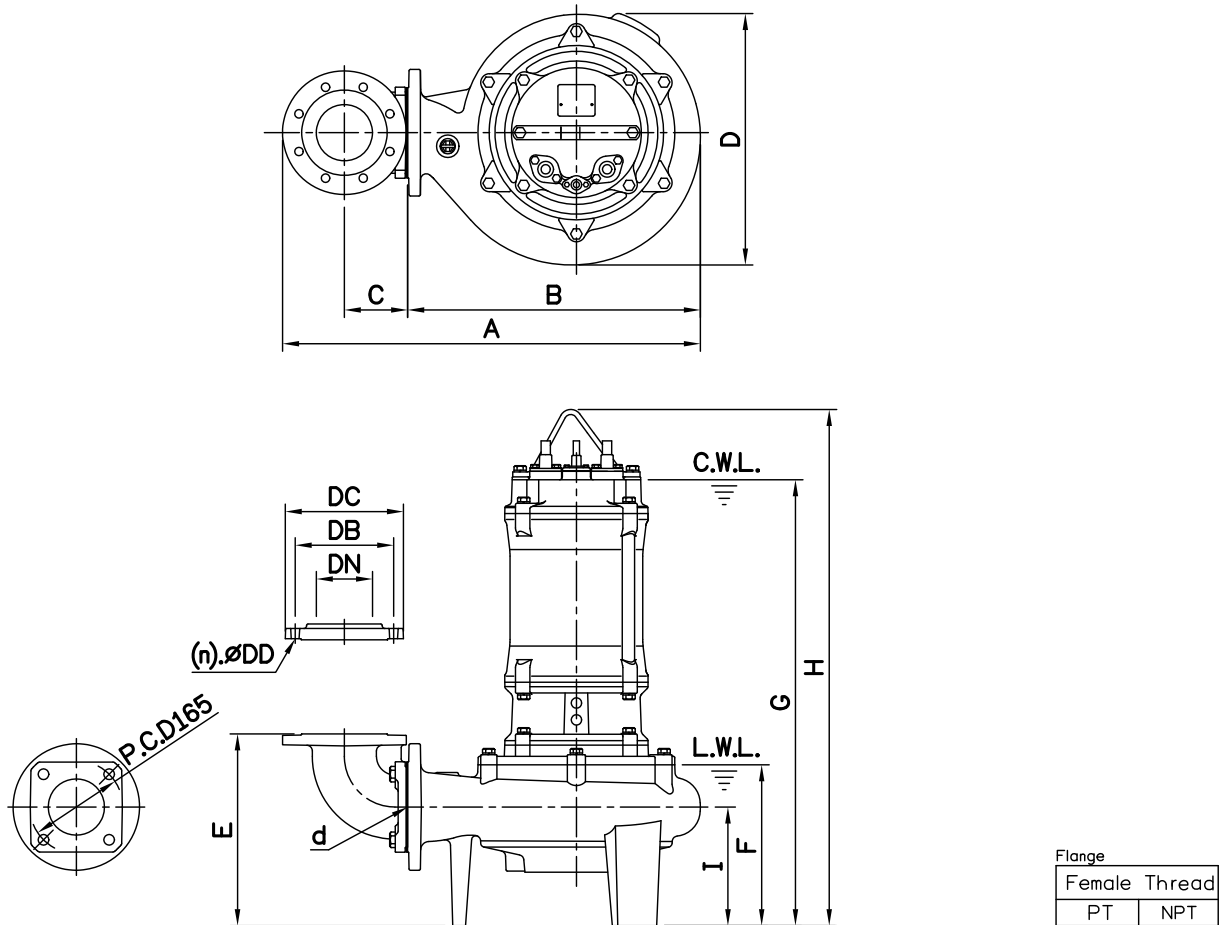


DIMENSIONS

NO: S4AFE4C0030-00

MODEL: 100(150)AFE411 / 415 / 422 / 430

50Hz 3Ø



Dimensions—mm

Weight:kg

Model	d	A	B	C	D	E	F	G	H	I	WT1	Elbow (Flange)Set	DN	DB	DC	DD	(n)QTY	WT2
100(150)AFE411	100	743	520	113	447	341	286	793	918	211	164	EB4-175A	100	175	210	15	8	13
100(150)AFE411	100	803	520	143	447	371	286	793	918	211	164	EB6-240(165)	150	240	280	23	8	23
100(150)AFE415	100	743	520	113	447	341	286	793	918	211	176	EB4-175A	100	175	210	15	8	13
100(150)AFE415	100	803	520	143	447	371	286	793	918	211	176	EB6-240(165)	150	240	280	23	8	23
100(150)AFE422	100	778	555	113	476	352	297	834	979	222	229	EB4-175A	100	175	210	15	8	13
100(150)AFE422	100	838	555	143	476	382	297	834	979	222	229	EB6-240(165)	150	240	280	23	8	23
100(150)AFE430	100	778	555	113	476	352	297	874	1019	222	250	EB4-175A	100	175	210	15	8	13
100(150)AFE430	100	838	555	143	476	382	297	874	1019	222	250	EB6-240(165)	150	240	280	23	8	23

Dimensions—inch

Weight:lb

Model	d	A	B	C	D	E	F	G	H	I	WT1	Elbow (Flange)Set	DN	DB	DC	DD	(n)QTY	WT2
100(150)AFE411	4	29 1/4	20 1/2	4 7/16	17 5/8	13 7/16	11 1/4	31 1/4	36 1/8	8 5/16	362	EB4-175A	4	6 7/8	8 1/4	5/8	8	29
100(150)AFE411	4	31 3/8	20 1/2	5 5/16	17 5/8	14 5/16	11 1/4	31 1/4	36 1/8	8 5/16	362	EB6-240(165)	6	9 5/16	11	7/8	8	51
100(150)AFE415	4	29 1/4	20 1/2	4 7/16	17 5/8	13 7/16	11 1/4	31 1/4	36 1/8	8 5/16	388	EB4-175A	4	6 7/8	8 1/4	5/8	8	29
100(150)AFE415	4	31 3/8	20 1/2	5 5/16	17 5/8	14 5/16	11 1/4	31 1/4	36 1/8	8 5/16	388	EB6-240(165)	6	9 5/16	11	7/8	8	51
100(150)AFE422	4	30 3/8	21 1/8	4 7/16	18 3/4	13 7/16	11 1/4	32 1/8	38 1/8	8 3/4	505	EB4-175A	4	6 7/8	8 1/4	5/8	8	29
100(150)AFE422	4	33	21 1/8	5 5/16	18 3/4	15 1/16	11 1/4	32 1/8	38 1/8	8 3/4	505	EB6-240(165)	6	9 5/16	11	7/8	8	51
100(150)AFE430	4	30 3/8	21 1/8	4 7/16	18 3/4	13 7/16	11 1/4	34 1/8	40 1/8	8 3/4	551	EB4-175A	4	6 7/8	8 1/4	5/8	8	29
100(150)AFE430	4	33	21 1/8	5 5/16	18 3/4	15 1/16	11 1/4	34 1/8	40 1/8	8 3/4	551	EB6-240(165)	6	9 5/16	11	7/8	8	51

C.W.L.:Continuous Running Water Level
L.W.L.:Lowest Running Water Level

WT1:Pump Weight(Without Cable)
WT2:Elbow Set Weight

