

AN SERIES

SUBMERSIBLE WASTEWATER / SUMP PUMPS

POWER : 1~5HP (0.75~3.7kW)
MAX.HEAD : 29.5m(97feet)
MAX.FLOW : 1.4m³/min (84m³/h)



PRODUCT NOMENCLATURE

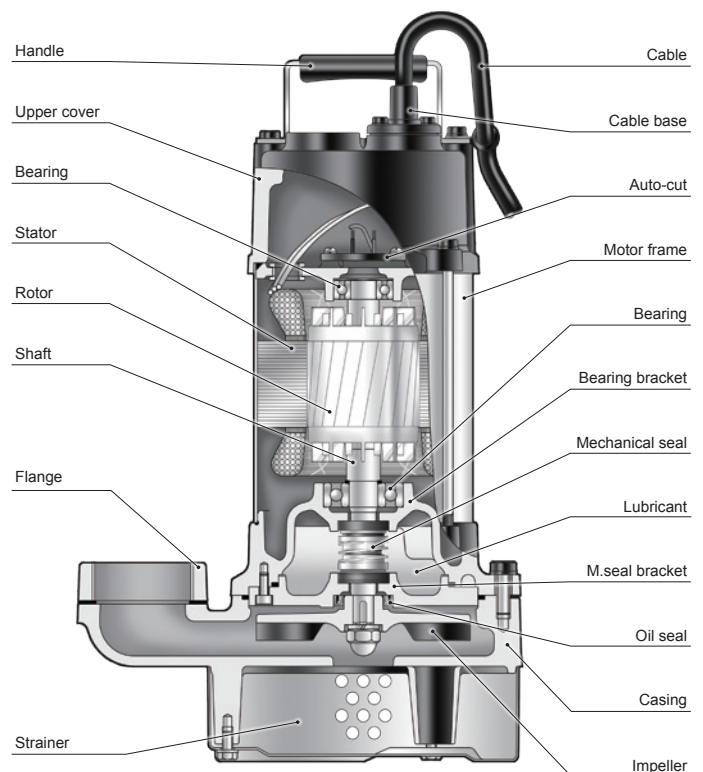
Example : $\frac{AN}{\text{Type}} - \frac{2}{\text{Discharge inch}} \frac{1.5}{\text{HP}}$

FEATURE

- A precision manufactured motor is achieved by utilizing the highest standard of quality control. All rotors adopt heat treatment methods for drive shaft assembling, and stator winding impregnated with varnish that is heat dried in an industrial oven. The Water Resistance for Pump can reach IP68 Grade.
- HCP's professional assembly line, complimented with a synthesized production test, ensures the highest level of pump quality.
- Standard accessories include : cable with an epoxy resin sealed water-resistant cable base, AC thermal motor protector, dual mechanical seals and lip seal design.

APPLICATIONS

- waste water.
- Sump Drainage.
- Flood control.
- Dewatering for fish pond or basement and cellars.



AN SERIES SUBMERSIBLE WASTEWATER / SUMP PUMPS

AN-21 · AN-21.5 · AN-22 · AN-23

SPECIFICATIONS

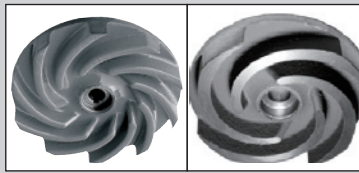
Item		Description
Limits of Use	Liquid Temp.	0~40°C(32~104°F)
	Applications	Clean / Dirty Water From Sumps · Basins and Tanks
Type	Frequency	50Hz
	Motor	2P(3000rpm) · Dry Motor
	Insulation	Class B(1HP) · Class F(1.5~3HP)
	Protection	IP68
	Protector	Auto-cut
	Bearing	Ball type
	M.seal	Double M.seals
	Impeller	Vortex · Open
Material	Upper Cover	FC200
	Motor Frame	SUS304
	Shaft	SUS410(1~1.5HP) · SUS403(2~3HP)
	M.seal	CA/CE & SiC/SiC
	Casing	FC200
	Impeller	FC200
	Cable	VCT or H07RN-F or SJOW/SOW
	Optional	AN-21/21.5 : 1 1/2" (40mm) Flange



AN-21 · AN-21.5



AN-22 · AN-23

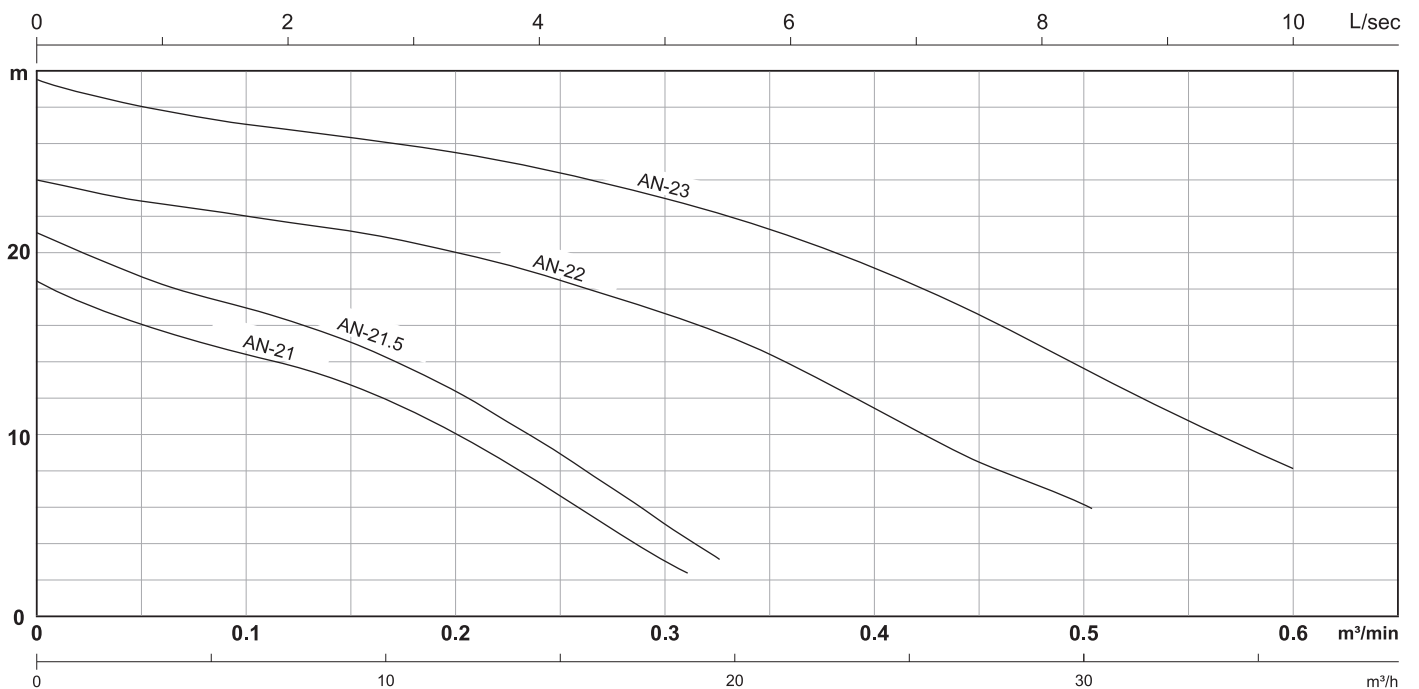


Vortex Impeller

Open Impeller

Model	Power HP(kW)	Discharge inch(mm)	Standard		MAX		Solid Passage mm(inch)	Weight(W/O Cable)		Phase Voltage	1Ø	1Ø	3Ø	3Ø	3Ø	3Ø	3Ø
			m-m³/min	m-m³/h	m-m³/min	m-m³/h		1Ø-kg(lbs)	3Ø-kg(lbs)		220V	230V	230V	380V	400V	415V	525V
AN-21	1(0.75)	2"(50)	13.5-0.12	13.5-7.2	18.5-0.32	18.5-19.2	7(1/4")	18(40)	17(37)	Full load Ampere	5.2	5.0	3.5	2.0	1.9	1.9	1.5
AN-21.5	1.5(1.1)	2"(50)	14.5-0.16	14.5-9.6	21.0-0.35	21.0-21.0	7(1/4")	20(44)	18(40)		6.6	6.4	4.2	2.4	2.3	2.3	1.8
AN-22	2(1.5)	2"(50)	18.5-0.25	18.5-15	24.0-0.55	24.0-33.0	10.5(3/8")	31(68)	27(60)		10.2	10.0	6.1	3.6	3.4	3.4	2.7
AN-23	3(2.2)	2"(50)	23.5-0.3	23.5-18	29.5-0.65	29.5-39.0	10.5(3/8")	35(77)	30(66)		15.0	14.6	8.6	5.1	5.0	4.8	3.8

PERFORMANCE CURVES



Model	Power HP(kW)	Discharge inch(mm)	Q:m³/min	0.1	0.2	0.3	0.4	0.5	Q:L/sec	1	2	3	4	5	6	7	8
			Q:m³/h	6	12	18	24	30		H:m	15.7	13.8	11.2	7.4	3.0	-	-
AN-21	1(0.75)	2"(50)	H:m	14.5	10.0	3.0	-	-	H:m	18.2	16.3	13.5	9.6	5.0	-	-	-
AN-21.5	1.5(1.1)	2"(50)		17.0	12.2	5.2	-	-		22.7	21.7	20.5	18.8	16.6	13.8	10.2	7.0
AN-22	2(1.5)	2"(50)		22.0	20.0	16.6	11.4	6.1		27.8	26.8	25.8	24.6	23.0	21.0	18.2	15.0
AN-23	3(2.2)	2"(50)		27.0	25.5	23.0	19.0	13.6									

AN SERIES SUBMERSIBLE WASTEWATER / SUMP PUMPS

AN-32 · AN-33 · AN-43 · AN-35

SPECIFICATIONS

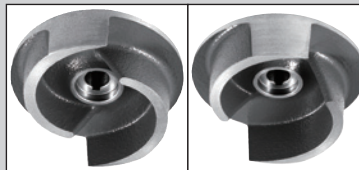
Item		Description
Limits of Use	Liquid Temp.	0~40°C(32~104°F)
	Applications	Clean / Dirty Water From Sumps Basins and Tanks
Type	Frequency	50Hz
	Motor	2P(3000rpm) · Dry Motor
	Insulation	Class F
	Protection	IP68
	Protector	Auto-cut
	Bearing	Ball type
	M.seal	Double M.seals
	Impeller	Open
Material	Upper Cover	FC200
	Motor Frame	SUS304
	Shaft	SUS403
	M.seal	CA/CE & SiC/SiC
	Casing	FC200
	Impeller	FC200
	Cable	VCT or H07RN-F or SJOW/SOW
	Optional	AN-43 : EB4-150A



AN-32 · AN-33



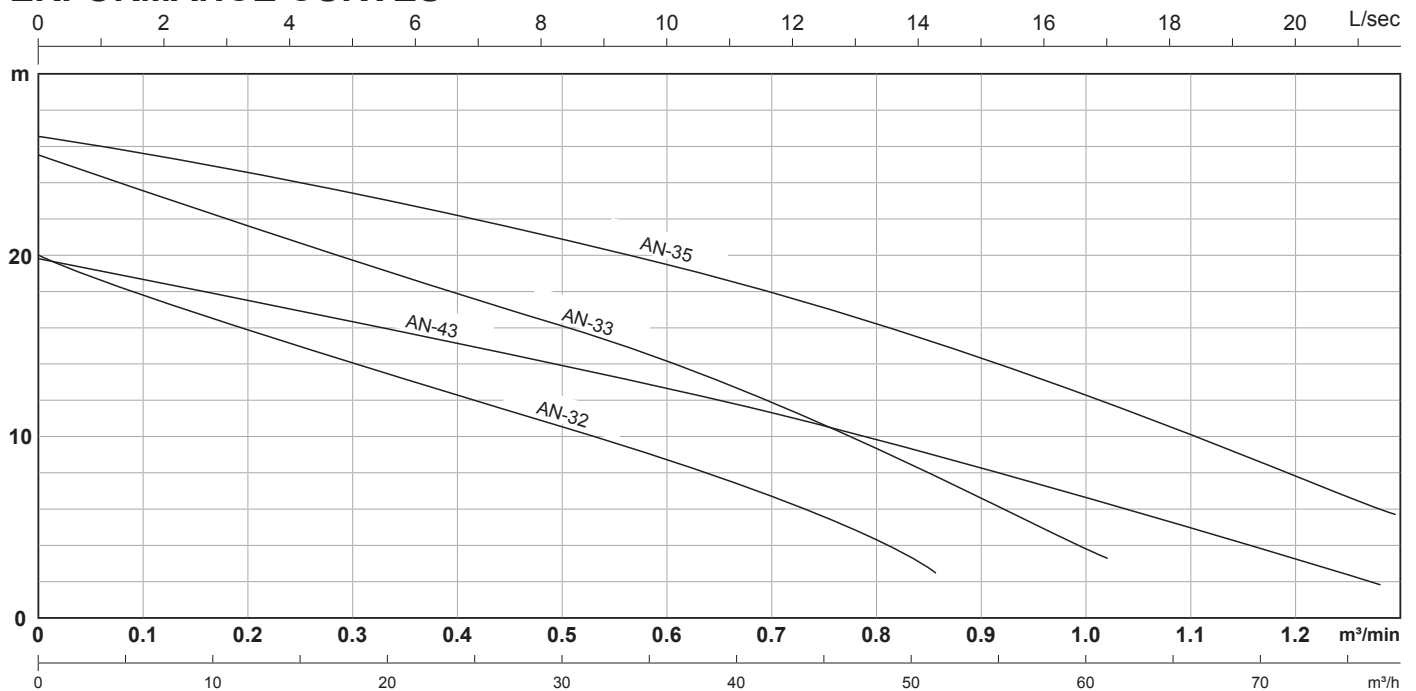
AN-35 · AN-43



Open Impeller

Model	Power HP(kW)	Discharge inch(mm)	Standard		MAX		Solid Passage mm(inch)	Weight(W/O Cable)		Phase Voltage	1Ø	1Ø	3Ø	3Ø	3Ø	3Ø	3Ø
			m-m³/min	m-m³/h	m-m³/min	m-m³/h		1Ø-kg(lbs)	3Ø-kg(lbs)		220V	230V	230V	380V	400V	415V	525V
AN-32	2(1.5)	3"(80)	10.5-0.5	10.5-30.0	20-0.9	20-54	10.5(3/8")	33(73)	29(64)	Full load Ampere	10.2	10.0	6.1	3.6	3.4	3.4	2.7
AN-33	3(2.2)	3"(80)	15.5-0.5	15.5-30.0	25.5-1.05	25.5-63	10.5(3/8")	37(82)	32(71)		15.0	14.6	8.6	5.1	4.8	4.8	3.8
AN-43	3(2.2)	4"(100)	11.5-0.7	11.5-42.0	19.5-1.3	19.5-78	20(3/4")	37(82)	32(71)		15.0	14.6	8.6	5.1	4.8	4.8	3.8
AN-35	5(3.7)	3"(80)	19.0-0.6	19.0-36.0	26.5-1.4	26.5-84	20(3/4")	-	35(77)		-	-	14.3	8.3	7.9	7.9	6.3

PERFORMANCE CURVES



Model	Power HP(kW)	Discharge inch(mm)	Q:m³/min											Q:L/sec							
			0.1	0.2	0.3	0.4	0.5	0.7	0.9	1.1	2	4	6	8	10	12	14	18			
AN-32	2(1.5)	3"(80)	17.8	16.0	14.0	12.2	10.5	6.8	-	-	H:m	17.4	15.2	13.0	10.9	8.6	5.8	3.0	-		
AN-33	3(2.2)	3"(80)	23.6	21.6	19.7	17.8	16.0	12.0	6.6	-		23.1	20.8	18.6	16.4	14.3	11.4	8.2	-		
AN-43	3(2.2)	4"(100)	18.6	17.5	16.4	15.0	14.0	11.3	8.3	5.0		18.4	17.1	15.6	14.2	12.6	11.0	9.2	5.3		
AN-35	5(3.7)	3"(80)	25.6	24.6	23.4	22.2	21.0	18.0	14.4	10.0		25.4	24.1	22.7	21.3	19.5	17.6	15.4	10.5		

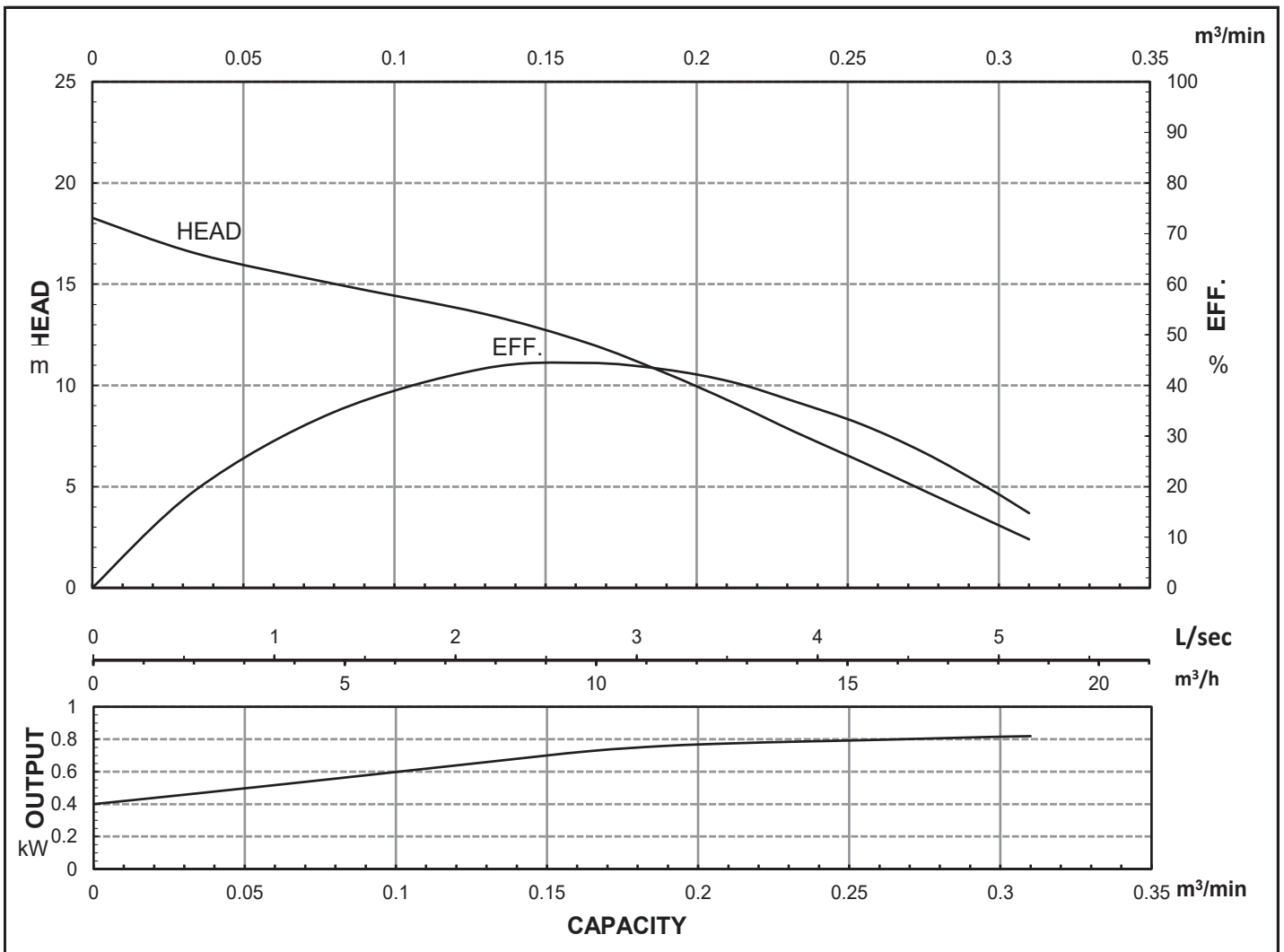


HCP PUMP

FILE NO. PC-M-E5-AN211

PUMP PERFORMANCE CURVES

MODEL	AN-21					VER. NO. AI0710	
	STANDARD SPECIFICATION					REFERENCE SPECIFICATION	
FREQUENCY	50 Hz						
DISCHARGE	2	inch /		50	mm		
OUTPUT	1	HP /		0.8	kW		
HEAD	13.5 m						
CAPACITY	0.12 m ³ /min						
PHASE/VOLTAGE	1 ∅	110 V	220 V	230 V	240 V	∅ V	
RATED CURRENT		10.4 A	5.2 A	5.0 A	4.8 A	A	
POLE / rpm	2	P /		2800	rpm		
START METHOD	CAPACITOR						
INSULATION CLASS	B						
REMARK							



HCP PUMP MANUFACTURER CO., LTD.



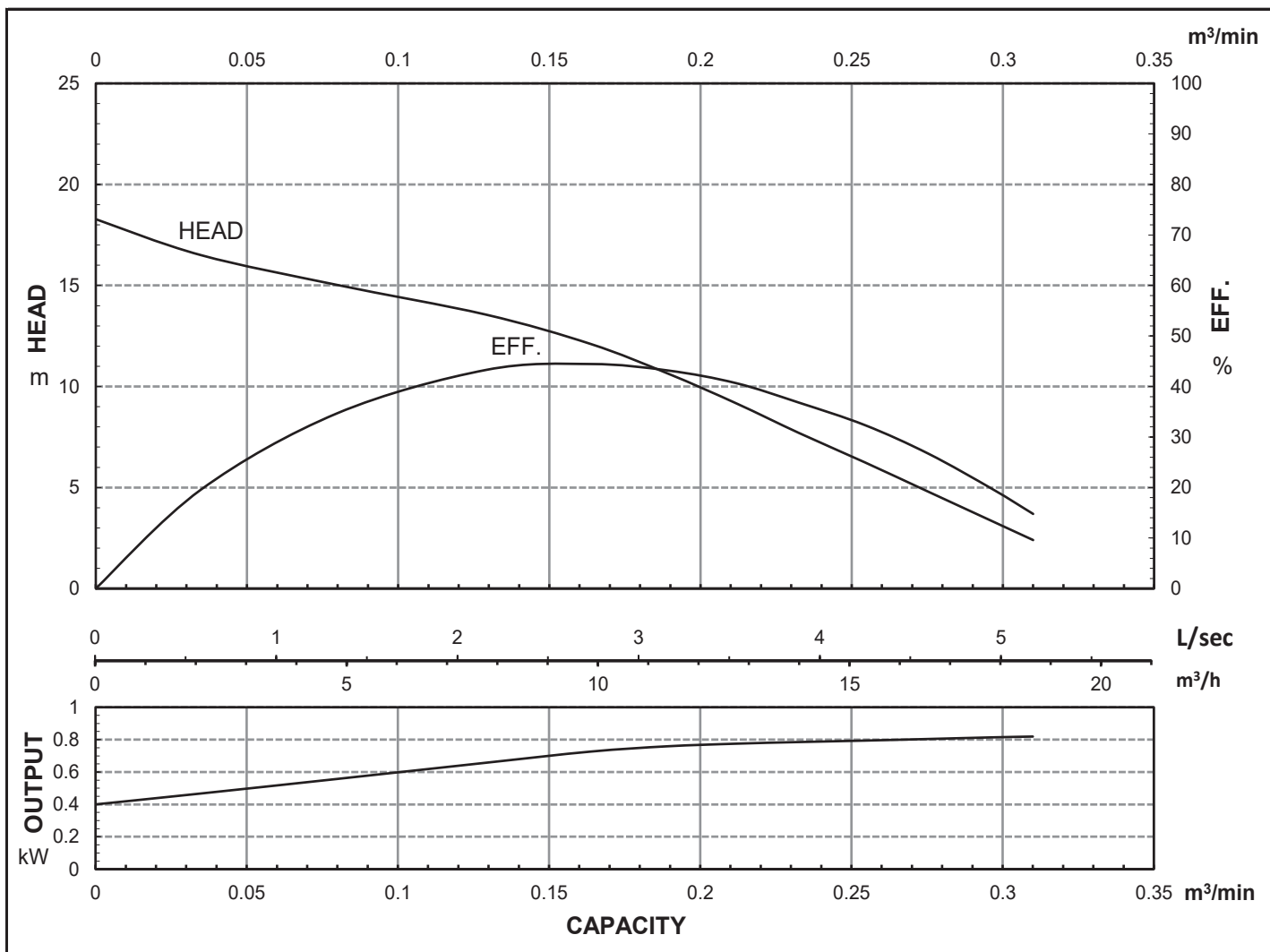
HCP PUMP

FILE NO.

PC-M-E5-AN213

PUMP PERFORMANCE CURVES

MODEL	AN-21					VER. NO. AI0710	
	STANDARD SPECIFICATION					REFERENCE SPECIFICATION	
FREQUENCY	50 Hz						
DISCHARGE	2	inch /		50	mm		
OUTPUT	1	HP /		0.8	HP	kW	
HEAD	13.5 m						
CAPACITY	0.12 m ³ /min						
PHASE/VOLTAGE	3 Ø	230 V	380 V	400 V	415 V	525 V	Ø V
RATED CURRENT		3.5 A	2.0 A	1.9 A	1.9 A	1.5 A	A
POLE / rpm	2	P /		2800	rpm		
START METHOD	DIRECT						
INSULATION CLASS	B						
REMARK							



HCP PUMP MANUFACTURER CO., LTD.

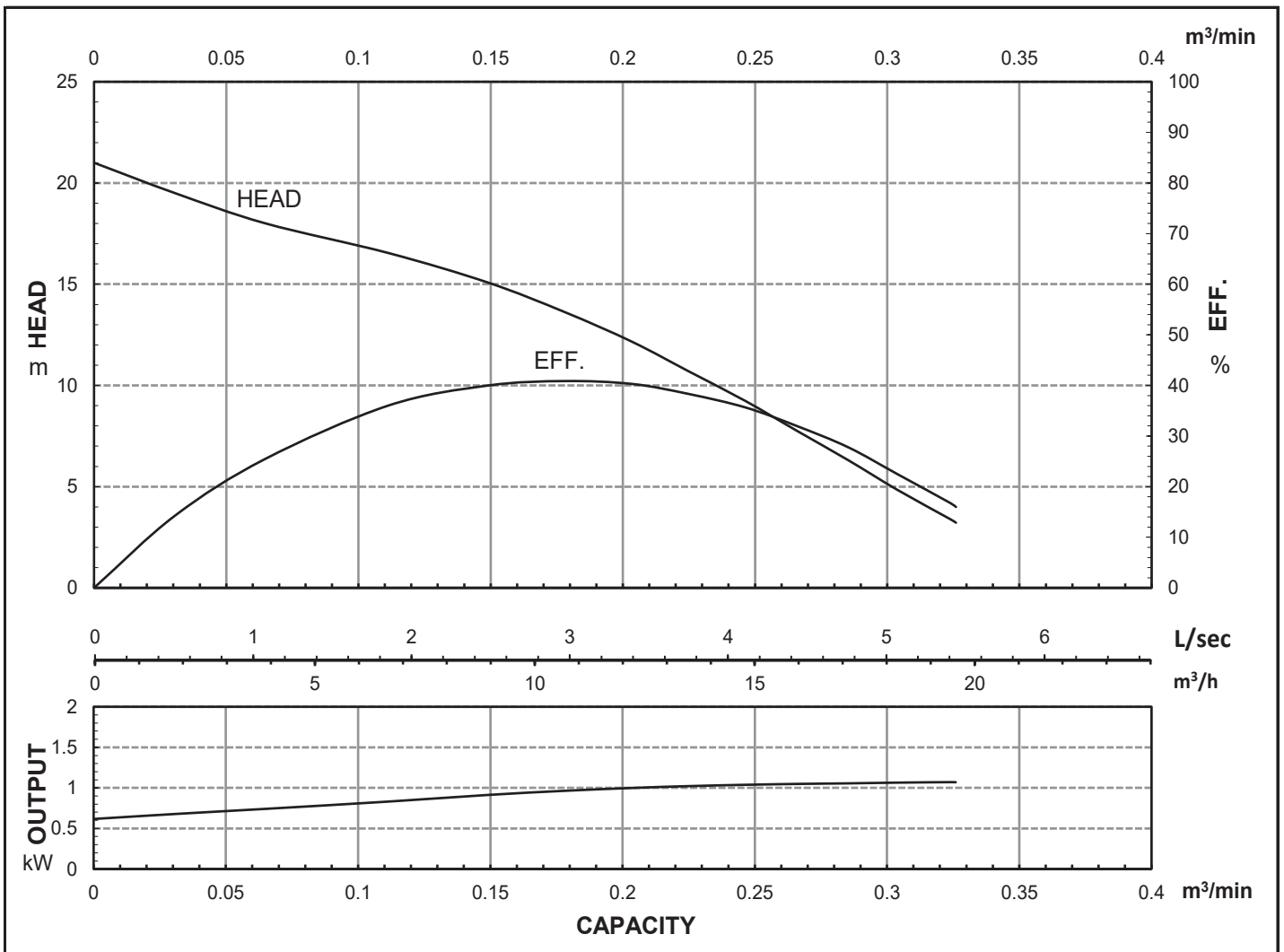


HCP PUMP

FILE NO. PC-M-E5-AN21.51

PUMP PERFORMANCE CURVES

MODEL	AN-21.5					VER. NO. AI0723	
	STANDARD SPECIFICATION					REFERENCE SPECIFICATION	
FREQUENCY	50 Hz						
DISCHARGE	2	inch /		50	mm		
OUTPUT	1.5	HP /		1.1	HP	kW	
HEAD	14.5 m						
CAPACITY	0.16 m ³ /min						
PHASE/VOLTAGE	1 ∅	220 V	230 V	240 V	∅ V		
RATED CURRENT		6.6 A	6.4 A	6.4 A	A		
POLE / rpm	2	P /		2800	rpm		
START METHOD	CAPACITOR						
INSULATION CLASS	F						
REMARK							



HCP PUMP MANUFACTURER CO., LTD.

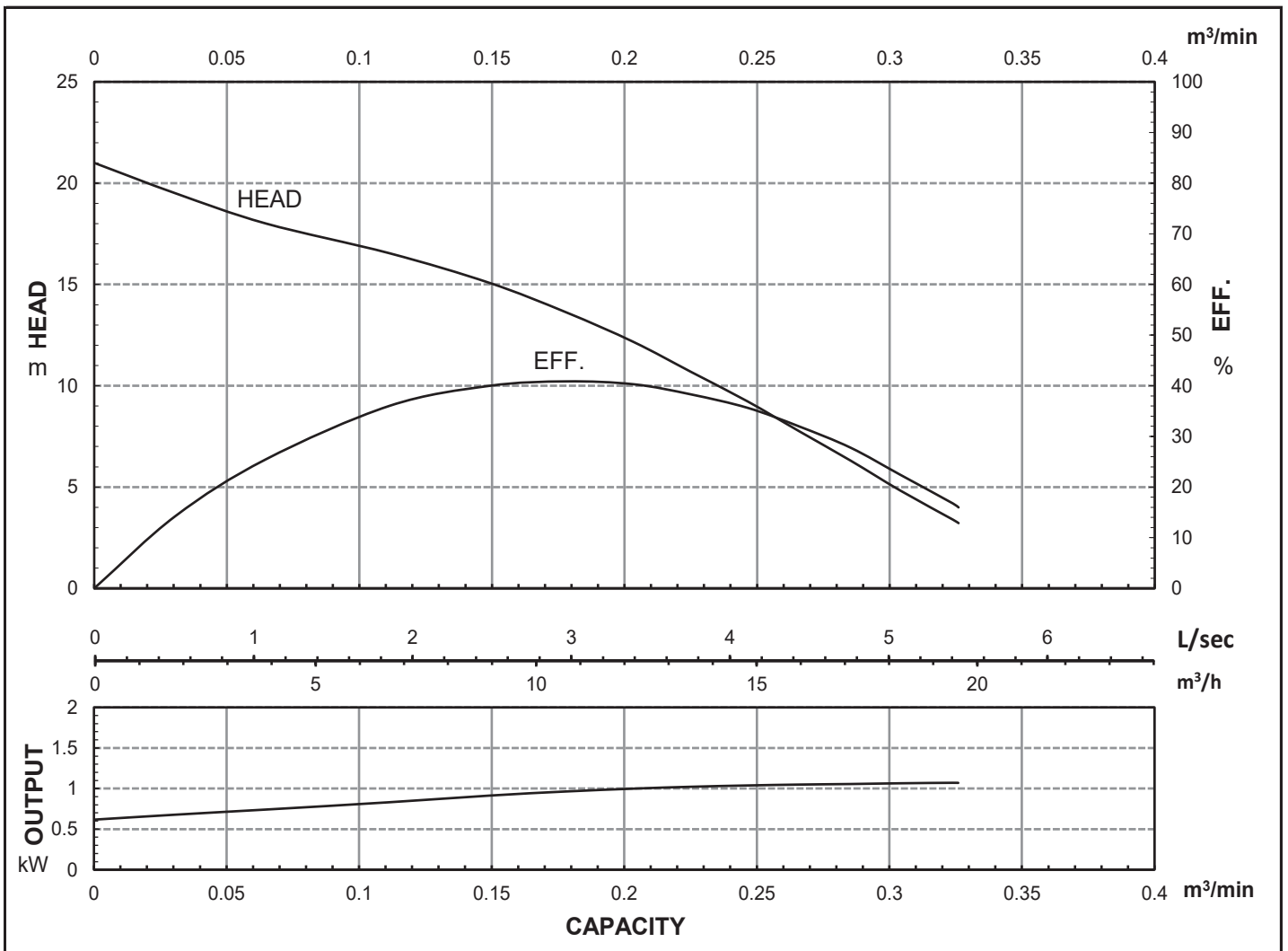


HCP PUMP

FILE NO. PC-M-E5-AN21.53

PUMP PERFORMANCE CURVES

MODEL	AN-21.5					VER. NO. AI0723	
	STANDARD SPECIFICATION					REFERENCE SPECIFICATION	
FREQUENCY	50 Hz						
DISCHARGE	2	inch /		50	mm		
OUTPUT	1.5	HP /		1.1	HP	kW	
HEAD	14.5 m						
CAPACITY	0.16 m ³ /min						
PHASE/VOLTAGE	3 Ø	230 V	380 V	400 V	415 V	525 V	Ø V
RATED CURRENT		4.2 A	2.4 A	2.3 A	2.3 A	1.8 A	A
POLE / rpm	2	P /		2800	rpm		
START METHOD	DIRECT						
INSULATION CLASS	F						
REMARK							



HCP PUMP MANUFACTURER CO., LTD.

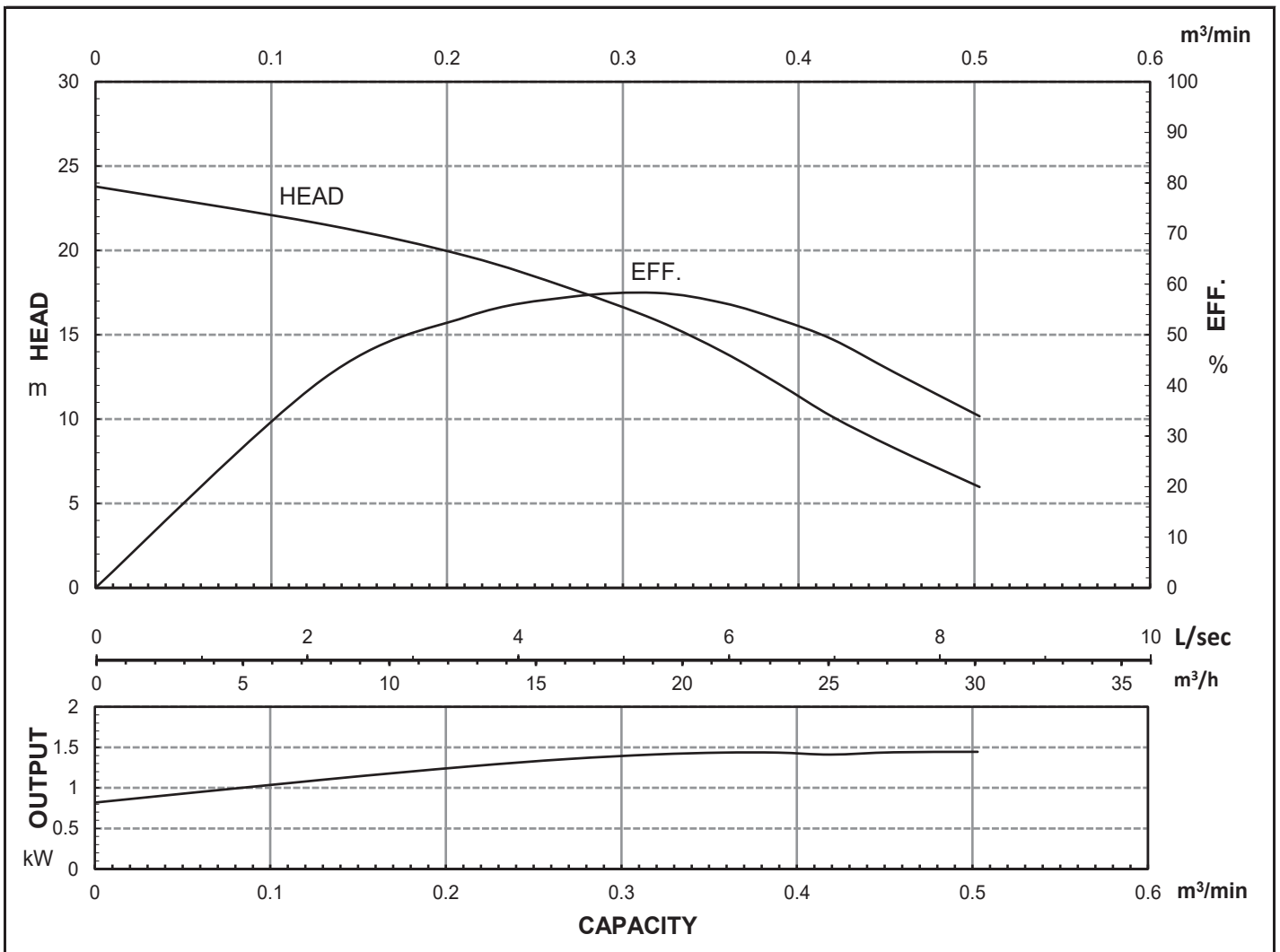


HCP PUMP

FILE NO. PC-M-E5-AN221

PUMP PERFORMANCE CURVES

MODEL	AN-22					VER. NO. AI0710	
	STANDARD SPECIFICATION					REFERENCE SPECIFICATION	
FREQUENCY	50 Hz						
DISCHARGE	2	inch	/	50	mm		
OUTPUT	2	HP	/	1.5	kW	HP	kW
HEAD	18.5 m						
CAPACITY	0.25 m ³ /min						
PHASE/VOLTAGE	1 Ø	220 V	230 V	240 V		Ø	V
RATED CURRENT		10.2 A	10.0 A	9.8 A			A
POLE / rpm	2	P	/	2820	rpm		
START METHOD	CAPACITOR						
INSULATION CLASS	F						
REMARK							



HCP PUMP MANUFACTURER CO., LTD.

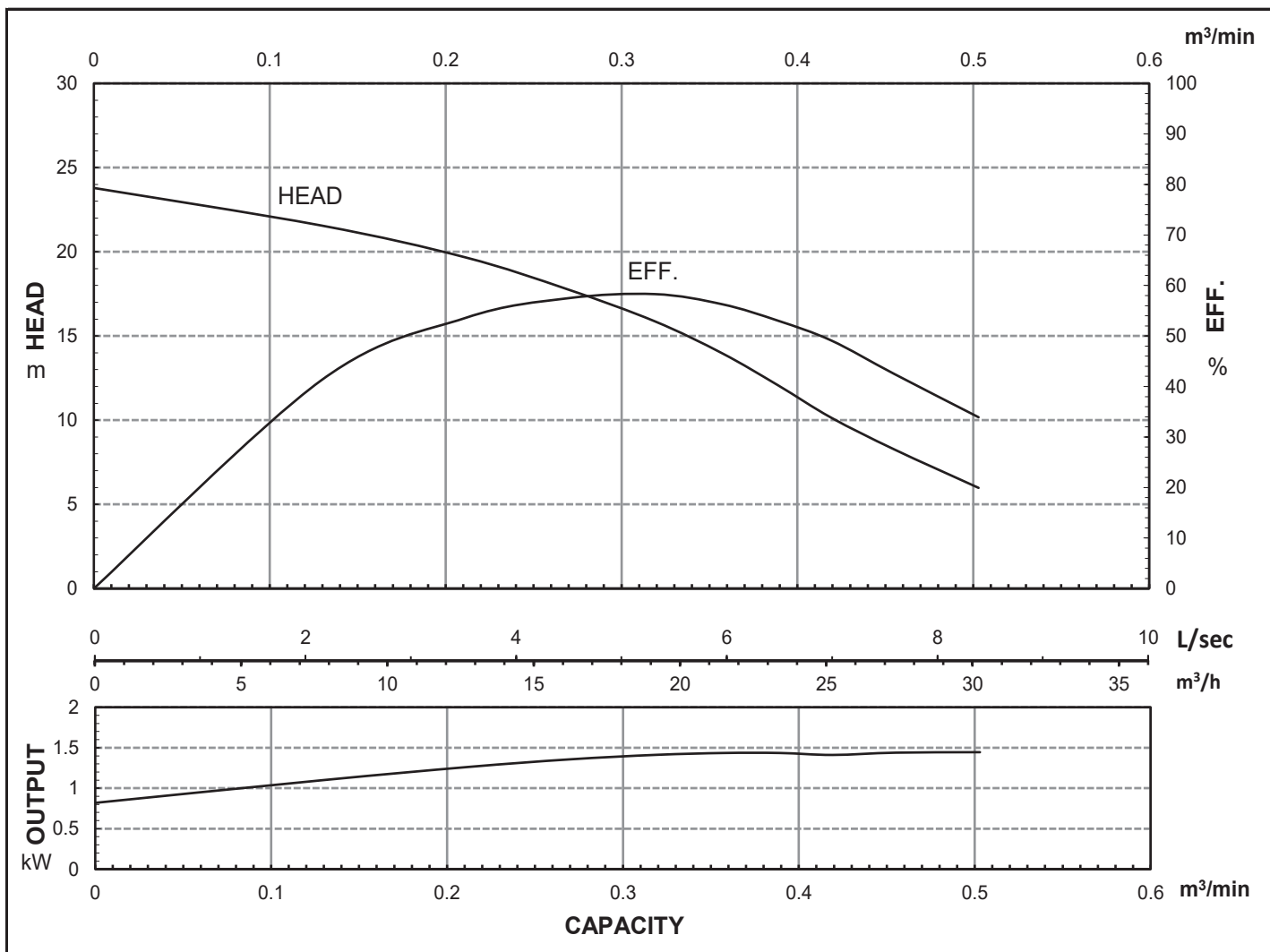


HCP PUMP

FILE NO. PC-M-E5-AN223

PUMP PERFORMANCE CURVES

MODEL	AN-22					VER. NO. AI0710	
	STANDARD SPECIFICATION					REFERENCE SPECIFICATION	
FREQUENCY	50 Hz						
DISCHARGE	2	inch /		50	mm		
OUTPUT	2	HP /		1.5	HP	kW	
HEAD	18.5 m						
CAPACITY	0.25 m ³ /min						
PHASE/VOLTAGE	3 Ø	230 V	380 V	400 V	415 V	525 V	Ø V
RATED CURRENT		6.1 A	3.6 A	3.4 A	3.4 A	2.7 A	A
POLE / rpm	2	P /		2820	rpm		
START METHOD	DIRECT						
INSULATION CLASS	F						
REMARK							



HCP PUMP MANUFACTURER CO., LTD.

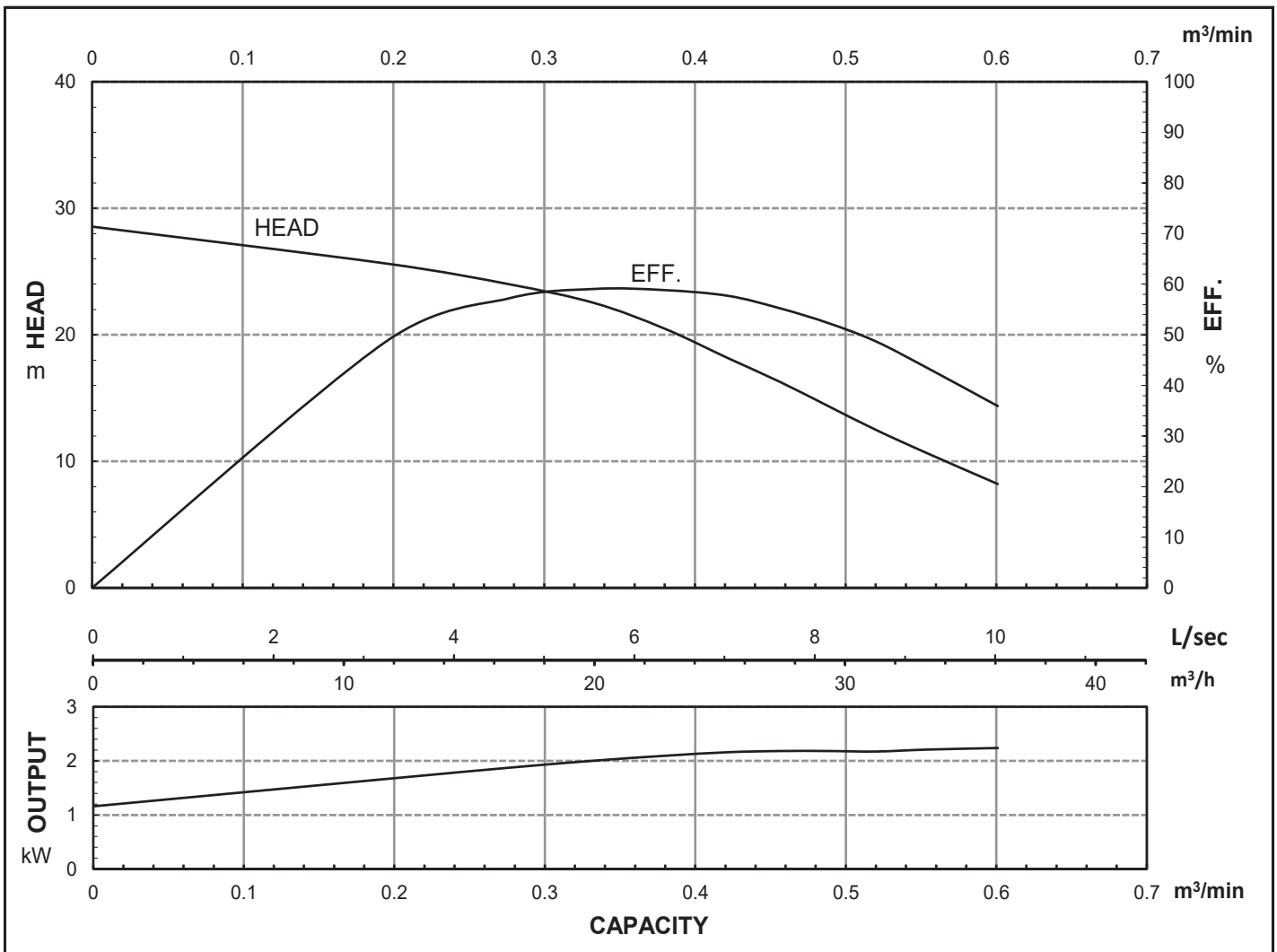


HCP PUMP

FILE NO. PC-M-E5-AN231

PUMP PERFORMANCE CURVES

MODEL	AN-23					VER. NO. AI0710	
	STANDARD SPECIFICATION					REFERENCE SPECIFICATION	
FREQUENCY	50 Hz						
DISCHARGE	2	inch /		50	mm		
OUTPUT	3	HP /		2.2	HP	kW	
HEAD	23.5 m						
CAPACITY	0.3 m ³ /min						
PHASE/VOLTAGE	1 ∅	220 V	230 V	240 V			
RATED CURRENT		15.0 A	14.6 A	14.4 A			
POLE / rpm	2	P /		2840	rpm		
START METHOD	CAPACITOR						
INSULATION CLASS	F						
REMARK							



HCP PUMP MANUFACTURER CO., LTD.

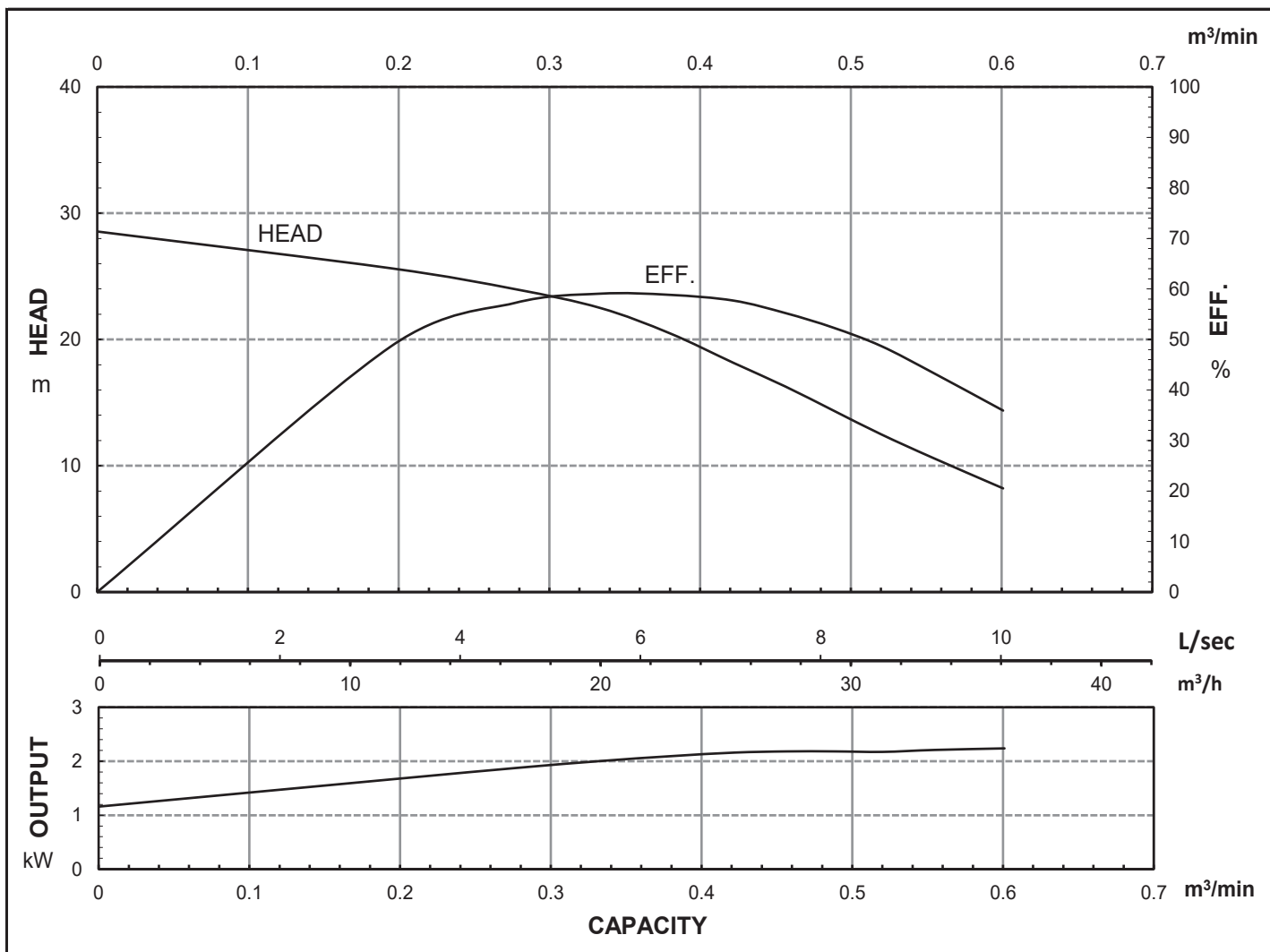


HCP PUMP

FILE NO. PC-M-E5-AN233

PUMP PERFORMANCE CURVES

MODEL	AN-23					VER. NO. AI0710	
	STANDARD SPECIFICATION					REFERENCE SPECIFICATION	
FREQUENCY	50 Hz						
DISCHARGE	2	inch /		50	mm		
OUTPUT	3	HP /		2.2	HP	kW	
HEAD	23.5 m						
CAPACITY	0.3 m ³ /min						
PHASE/VOLTAGE	3 Ø	230 V	380 V	400 V	415 V	525 V	Ø V
RATED CURRENT		8.6 A	5.1 A	5.0 A	4.8 A	3.8 A	A
POLE / rpm	2	P /		2840	rpm		
START METHOD	DIRECT						
INSULATION CLASS	F						
REMARK							



HCP PUMP MANUFACTURER CO., LTD.

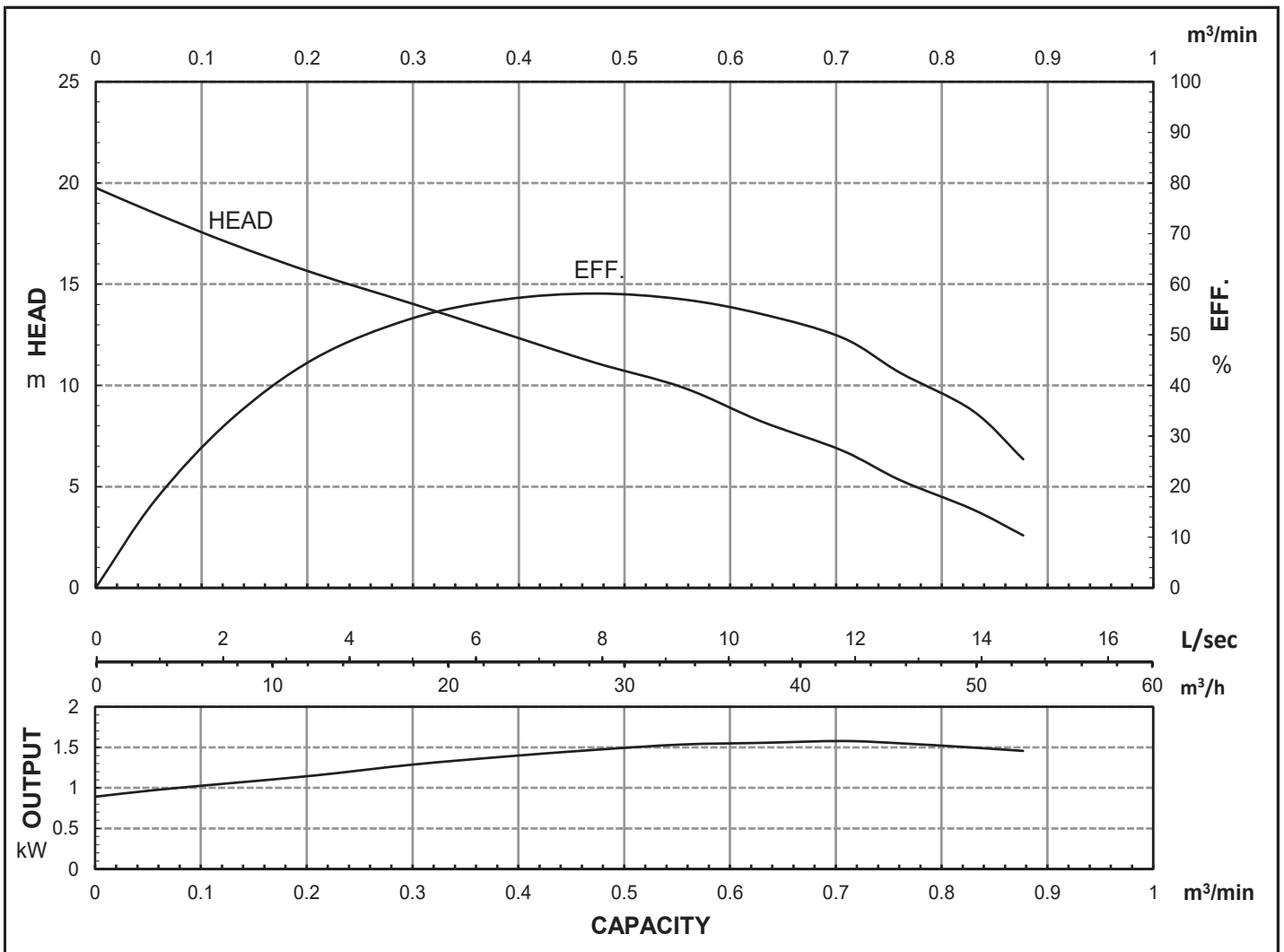


HCP PUMP

FILE NO. PC-M-E5-AN321

PUMP PERFORMANCE CURVES

MODEL	AN-32					VER. NO. AI0710	
	STANDARD SPECIFICATION					REFERENCE SPECIFICATION	
FREQUENCY	50 Hz						
DISCHARGE	3	inch /		80	mm		
OUTPUT	2	HP /		1.5	kW		
HEAD	10.5 m						
CAPACITY	0.5 m ³ /min						
PHASE/VOLTAGE	1 ∅	220 V	230 V	240 V			∅ V
RATED CURRENT		10.2 A	10.0 A	9.8 A			A
POLE / rpm	2	P /		2820	rpm		
START METHOD	CAPACITOR						
INSULATION CLASS	F						
REMARK							



HCP PUMP MANUFACTURER CO., LTD.



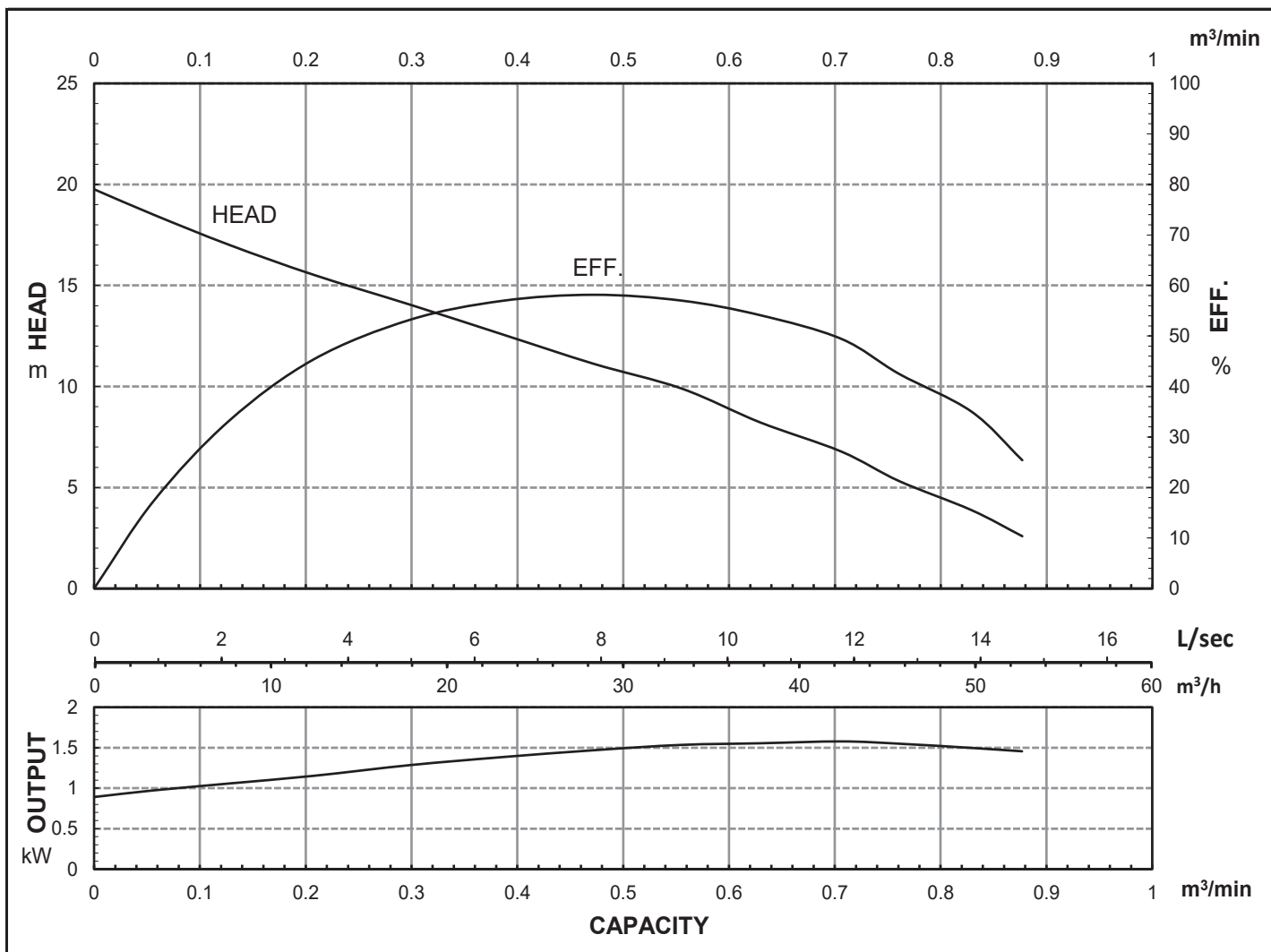
HCP PUMP

FILE NO.

PC-M-E5-AN323

PUMP PERFORMANCE CURVES

MODEL	AN-32					VER. NO. AI0710	
	STANDARD SPECIFICATION					REFERENCE SPECIFICATION	
FREQUENCY	50 Hz						
DISCHARGE	3 inch /		80 mm				
OUTPUT	2 HP /		1.5 kW			HP	kW
HEAD	10.5 m						
CAPACITY	0.5 m ³ /min						
PHASE/VOLTAGE	3 Ø	230 V	380 V	400 V	415 V	525 V	Ø V
RATED CURRENT		6.1 A	3.6 A	3.4 A	3.4 A	2.7 A	A
POLE / rpm	2 P /		2820 rpm				
START METHOD	DIRECT						
INSULATION CLASS	F						
REMARK							



HCP PUMP MANUFACTURER CO., LTD.

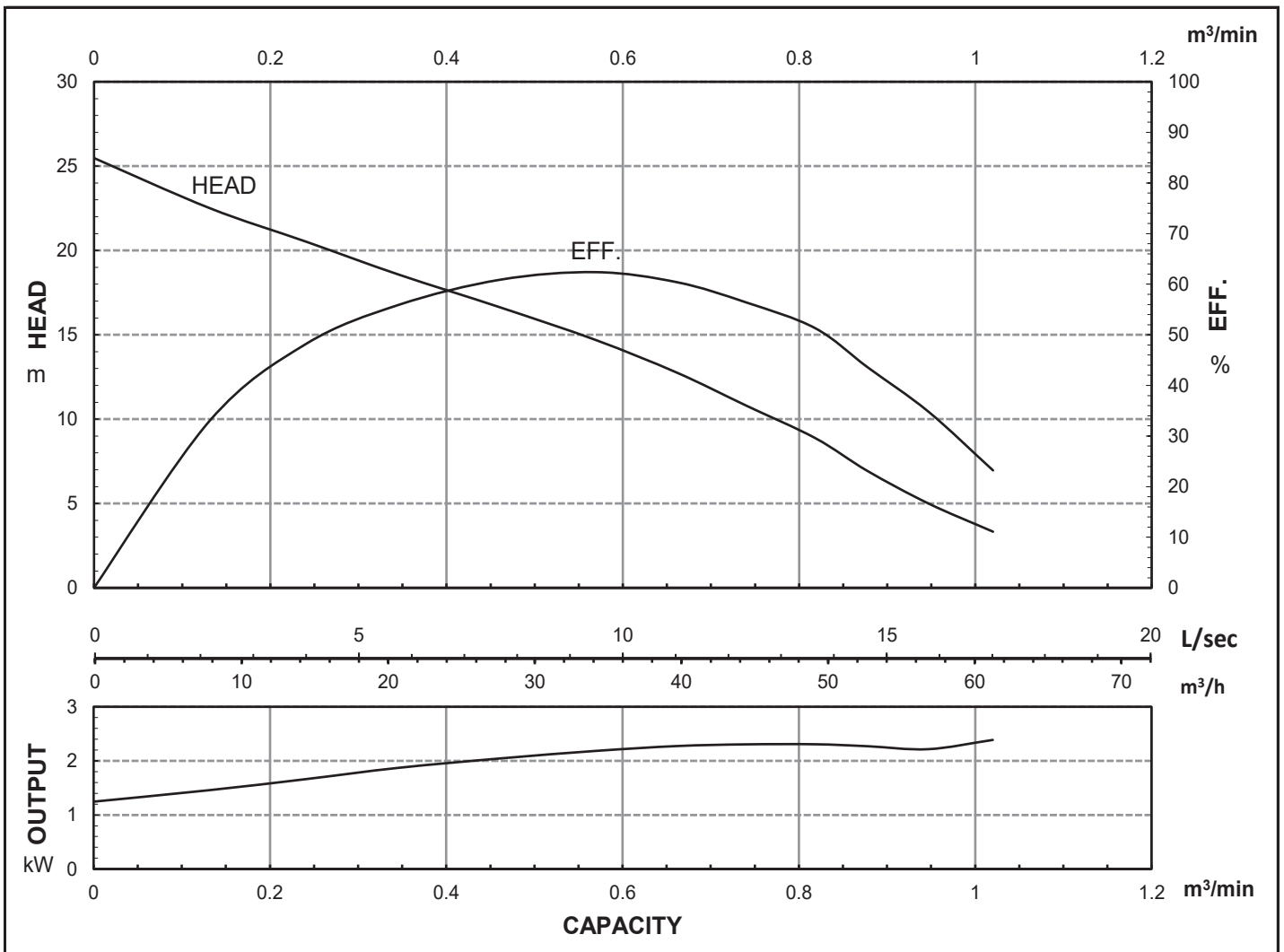


HCP PUMP

FILE NO. PC-M-E5-AN331

PUMP PERFORMANCE CURVES

MODEL	AN-33					VER. NO. AI0710	
	STANDARD SPECIFICATION					REFERENCE SPECIFICATION	
FREQUENCY	50 Hz						
DISCHARGE	3	inch /		80	mm		
OUTPUT	3	HP /		2.2	kW		
HEAD	15.5 m						
CAPACITY	0.5 m ³ /min						
PHASE/VOLTAGE	1 Ø	220 V	230 V	240 V			
RATED CURRENT		15.0 A	14.6 A	14.4 A			
POLE / rpm	2	P /		2840	rpm		
START METHOD	CAPACITOR						
INSULATION CLASS	F						
REMARK							



HCP PUMP MANUFACTURER CO., LTD.

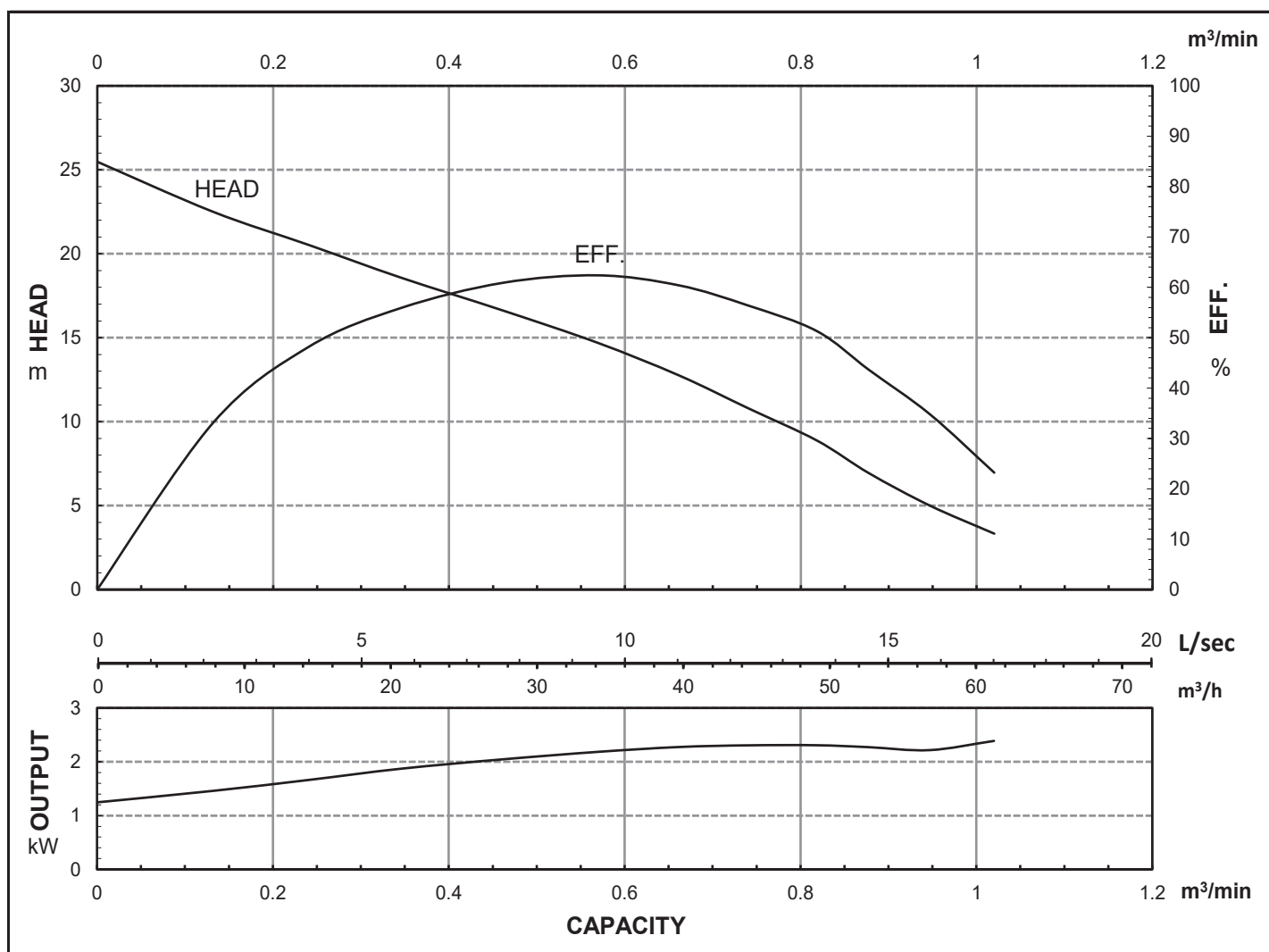


HCP PUMP

FILE NO. PC-M-E5-AN333

PUMP PERFORMANCE CURVES

MODEL	AN-33					VER. NO. AI0710	
	STANDARD SPECIFICATION					REFERENCE SPECIFICATION	
FREQUENCY	50 Hz						
DISCHARGE	3	inch /		80	mm		
OUTPUT	3	HP /		2.2	HP	kW	
HEAD	15.5 m						
CAPACITY	0.5 m ³ /min						
PHASE/VOLTAGE	3 Ø	230 V	380 V	400 V	415 V	525 V	Ø V
RATED CURRENT		8.6 A	5.1 A	4.8 A	4.8 A	3.8 A	A
POLE / rpm	2	P /		2840	rpm		
START METHOD	DIRECT						
INSULATION CLASS	F						
REMARK							



HCP PUMP MANUFACTURER CO., LTD.

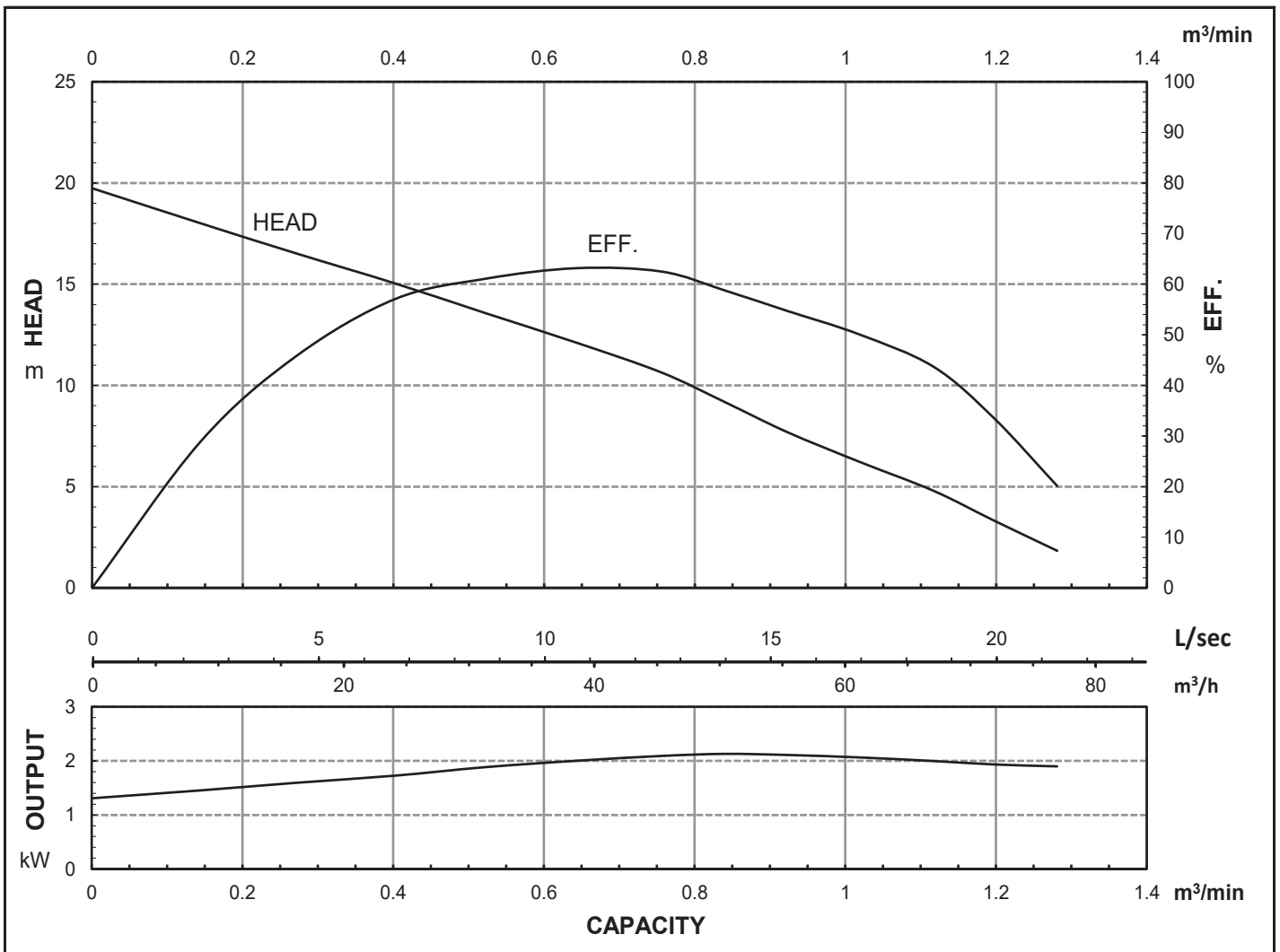


HCP PUMP

FILE NO. PC-M-E5-AN431

PUMP PERFORMANCE CURVES

MODEL	AN-43					VER. NO. AI0710	
	STANDARD SPECIFICATION					REFERENCE SPECIFICATION	
FREQUENCY	50 Hz						
DISCHARGE	4	inch /		100	mm		
OUTPUT	3	HP /		2.2	HP	kW	
HEAD	11.5 m						
CAPACITY	0.7 m ³ /min						
PHASE/VOLTAGE	1 ∅	220 V	230 V	240 V	∅ V		
RATED CURRENT		15.0 A	14.6 A	14.4 A	A		
POLE / rpm	2	P /		2840	rpm		
START METHOD	CAPACITOR						
INSULATION CLASS	F						
REMARK							



HCP PUMP MANUFACTURER CO., LTD.

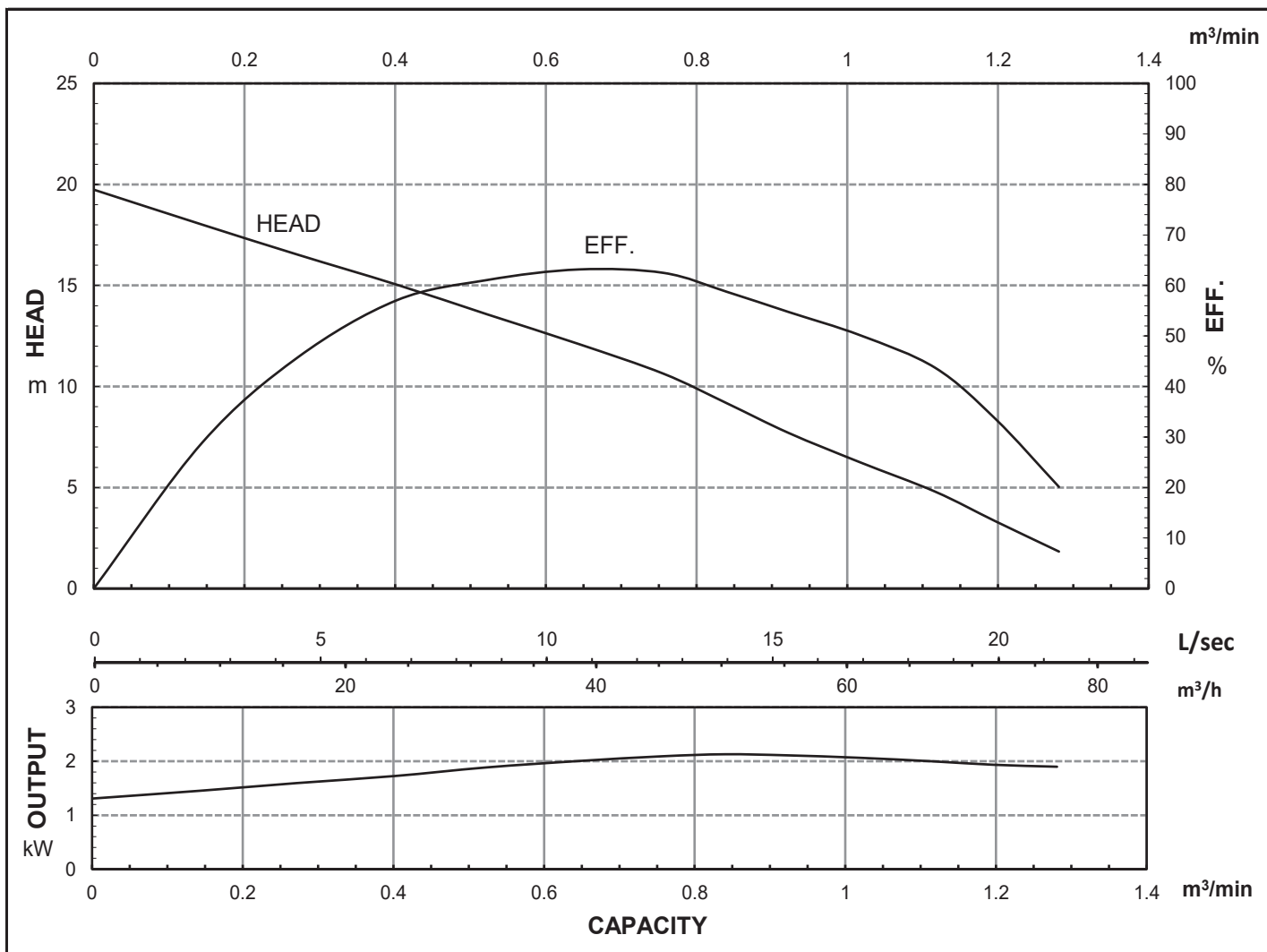


HCP PUMP

FILE NO. PC-M-E5-AN433

PUMP PERFORMANCE CURVES

MODEL	AN-43					VER. NO. AI0710	
	STANDARD SPECIFICATION					REFERENCE SPECIFICATION	
FREQUENCY	50 Hz						
DISCHARGE	4	inch /		100	mm		
OUTPUT	3	HP /		2.2	HP	kW	
HEAD	11.5 m						
CAPACITY	0.7 m ³ /min						
PHASE/VOLTAGE	3 Ø	230 V	380 V	400 V	415 V	525 V	Ø V
RATED CURRENT		8.6 A	5.1 A	4.8 A	4.8 A	3.8 A	A
POLE / rpm	2	P /		2840	rpm		
START METHOD	DIRECT						
INSULATION CLASS	F						
REMARK							



HCP PUMP MANUFACTURER CO., LTD.

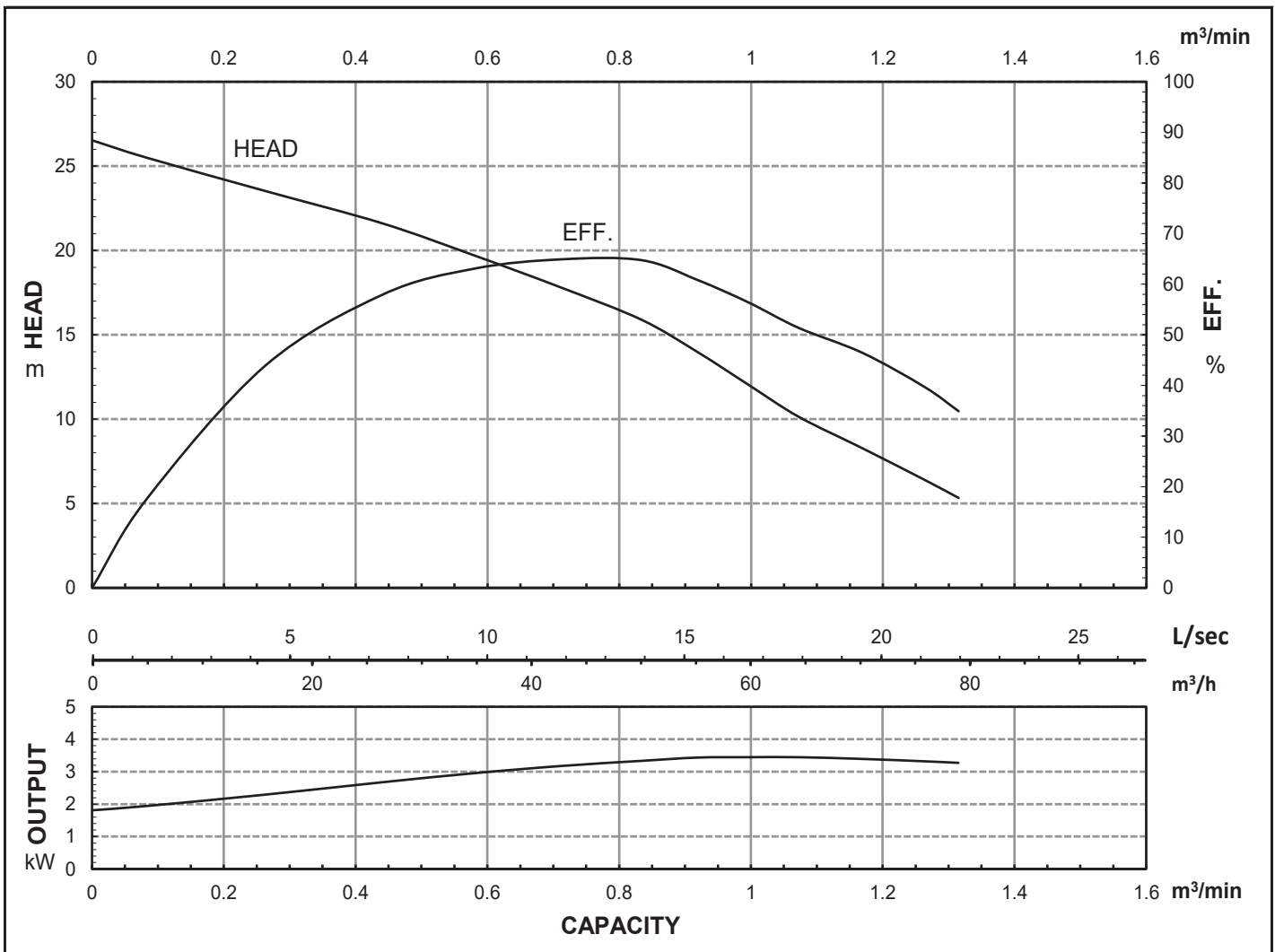


HCP PUMP

FILE NO. PC-M-E5-AN353

PUMP PERFORMANCE CURVES

MODEL	AN-35					VER. NO. AI0710	
	STANDARD SPECIFICATION					REFERENCE SPECIFICATION	
FREQUENCY	50 Hz						
DISCHARGE	3	inch /		80	mm		
OUTPUT	5	HP /		3.7	HP	kW	
HEAD	19 m						
CAPACITY	0.6 m ³ /min						
PHASE/VOLTAGE	3 Ø	230 V	380 V	400 V	415 V	525 V	Ø V
RATED CURRENT		14.3 A	8.3 A	7.9 A	7.9 A	6.3 A	A
POLE / rpm	2	P /		2830	rpm		
START METHOD	DIRECT						
INSULATION CLASS	F						
REMARK							



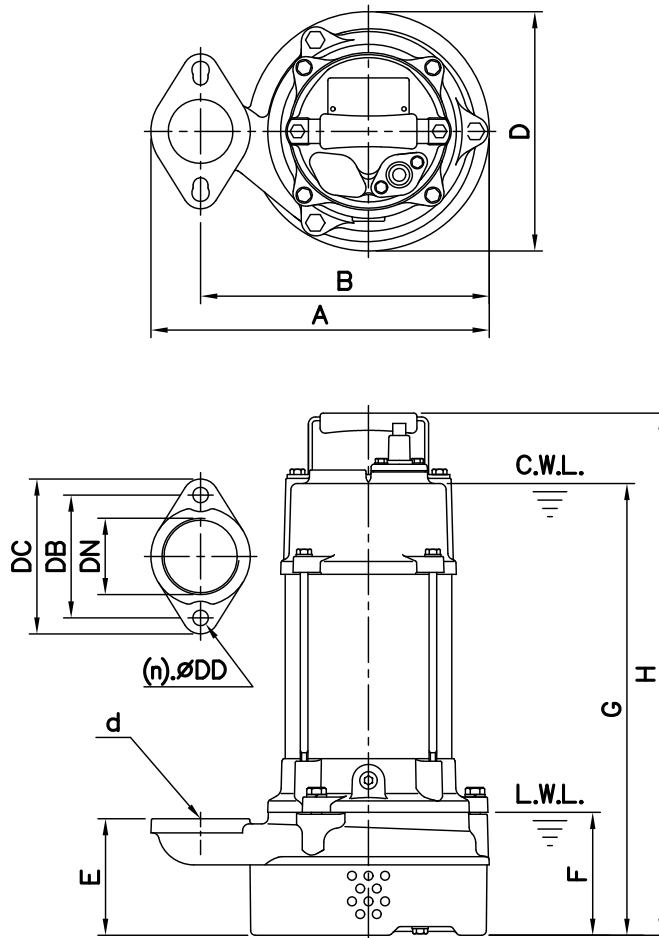
HCP PUMP MANUFACTURER CO., LTD.

DIMENSIONS

NO: S2AN0211032-00

MODEL: AN-21 / 21.5

1Ø / 3Ø



Flange	
Female Thread	
PF	NPT

Dimensions—mm

Weight:kg

Model	d	A	B	D	E	F	G	H	WT1	Elbow (Flange)Set	DN	DB	DC	DD	(n)QTY	WT2
AN-21 1Ø	50	262	224	187	91	90	353	408	18	EF2-96	50	96	121	12	2	1
AN-21 1Ø	50	262	224	187	91	90	353	408	18	EF1½-96	40	96	121	12	2	1
AN-21 3Ø	50	262	224	187	91	90	353	408	17	EF2-96	50	96	121	12	2	1
AN-21 3Ø	50	262	224	187	91	90	353	408	17	EF1½-96	40	96	121	12	2	1
AN-21.5 1Ø	50	262	224	187	91	90	373	428	20	EF2-96	50	96	121	12	2	1
AN-21.5 1Ø	50	262	224	187	91	90	373	428	20	EF1½-96	40	96	121	12	2	1
AN-21.5 3Ø	50	262	224	187	91	90	353	408	18	EF2-96	50	96	121	12	2	1
AN-21.5 3Ø	50	262	224	187	91	90	353	408	18	EF1½-96	40	96	121	12	2	1

Dimensions—inch

Weight:lb

Model	d	A	B	D	E	F	G	H	WT1	Elbow (Flange)Set	DN	DB	DC	DD	(n)QTY	WT2
AN-21 1Ø	2	10⅞	8⅞	7⅞	3⅞	3⅞	13⅞	16⅞	40	EF2-96	2	3¾	4¾	½	2	1
AN-21 1Ø	2	10⅞	8⅞	7⅞	3⅞	3⅞	13⅞	16⅞	40	EF1½-96	1½	3¾	4¾	½	2	1
AN-21 3Ø	2	10⅞	8⅞	7⅞	3⅞	3⅞	13⅞	16⅞	38	EF2-96	2	3¾	4¾	½	2	1
AN-21 3Ø	2	10⅞	8⅞	7⅞	3⅞	3⅞	13⅞	16⅞	38	EF1½-96	1½	3¾	4¾	½	2	1
AN-21.5 1Ø	2	10⅞	8⅞	7⅞	3⅞	3⅞	14⅞	16⅞	44	EF2-96	2	3¾	4¾	½	2	1
AN-21.5 1Ø	2	10⅞	8⅞	7⅞	3⅞	3⅞	14⅞	16⅞	44	EF1½-96	1½	3¾	4¾	½	2	1
AN-21.5 3Ø	2	10⅞	8⅞	7⅞	3⅞	3⅞	13⅞	16⅞	40	EF2-96	2	3¾	4¾	½	2	1
AN-21.5 3Ø	2	10⅞	8⅞	7⅞	3⅞	3⅞	13⅞	16⅞	40	EF1½-96	1½	3¾	4¾	½	2	1

C.W.L.:Continuous Running Water Level
L.W.L.:Lowest Running Water Level

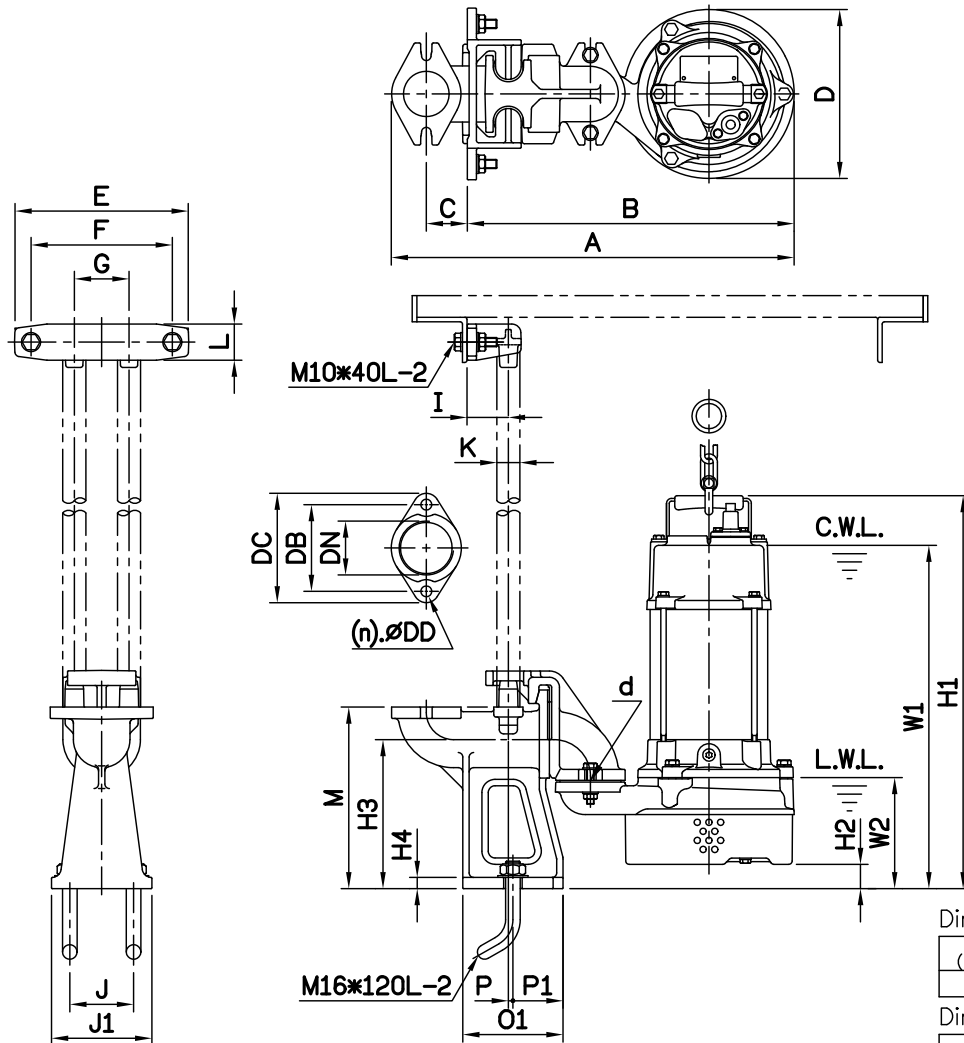
WT1:Pump Weight(Without Cable)
WT2:Elbow Set Weight

DIMENSIONS

NO: T2AN0211032-00

MODEL: AN-21 / 21.5

1Ø / 3Ø



Flange	
Female Thread	
PF	NPT

Dimensions-mm

Elbow (Flange)Set	DN	DB	DC	DD	(n)QTY
EF2-96	50	96	121	12	2

Dimensions-inch

Elbow (Flange)Set	DN	DB	DC	DD	(n)QTY
EF2-96	2	3¾	4¾	½	2

Dimensions-mm

Weight:kg

Model	d	A	B	C	D	E	F	G	I	J	J1	K	L	M	O1	P	P1	W1	W2	H1	H2	H3	H4	WT1	GRS Set	WT2
AN-21 1Ø	50	443	359	45	187	190	155	60	45	70	110	¾"	40	201	110	5	55	380	123	435	27	165	13	18	T2-50	9
AN-21.5 1Ø	50	443	359	45	187	190	155	60	45	70	110	¾"	40	201	110	5	55	400	123	455	27	165	13	20	T2-50	9
AN-21 3Ø	50	443	359	45	187	190	155	60	45	70	110	¾"	40	201	110	5	55	380	123	435	27	165	13	17	T2-50	9
AN-21.5 3Ø	50	443	359	45	187	190	155	60	45	70	110	¾"	40	201	110	5	55	380	123	435	27	165	13	18	T2-50	9

Dimensions-inch

Weight:lb

Model	d	A	B	C	D	E	F	G	I	J	J1	K	L	M	O1	P	P1	W1	W2	H1	H2	H3	H4	WT1	GRS Set	WT2
AN-21 1Ø	2	17¼	14¾	1¾	7⅝	7½	6⅝	2⅝	1¾	2¾	4⅝	¾	1⅞	7⅝	4⅝	⅝	2⅝	14⅝	4⅝	17⅝	1⅞	6½	½	40	T2-50	19
AN-21.5 1Ø	2	17¼	14¾	1¾	7⅝	7½	6⅝	2⅝	1¾	2¾	4⅝	¾	1⅞	7⅝	4⅝	⅝	2⅝	15¾	4⅝	17⅝	1⅞	6½	½	44	T2-50	19
AN-21 3Ø	2	17¼	14¾	1¾	7⅝	7½	6⅝	2⅝	1¾	2¾	4⅝	¾	1⅞	7⅝	4⅝	⅝	2⅝	14⅝	4⅝	17⅝	1⅞	6½	½	37	T2-50	19
AN-21.5 3Ø	2	17¼	14¾	1¾	7⅝	7½	6⅝	2⅝	1¾	2¾	4⅝	¾	1⅞	7⅝	4⅝	⅝	2⅝	14⅝	4⅝	17⅝	1⅞	6½	½	40	T2-50	19

C.W.L.:Continuous Running Water Level
L.W.L.:Lowest Running Water Level

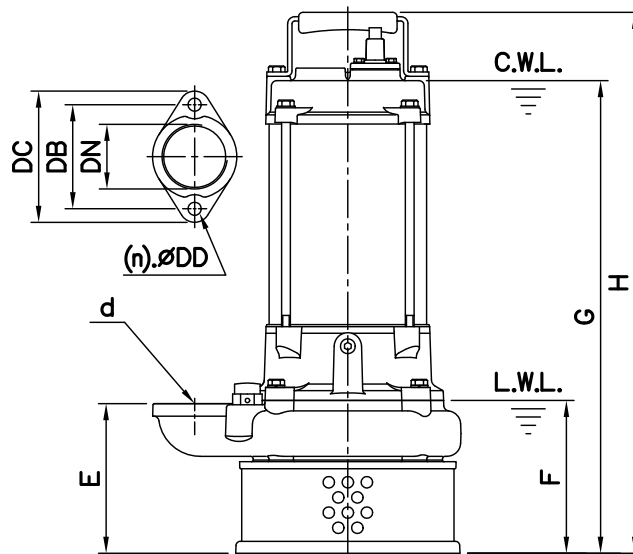
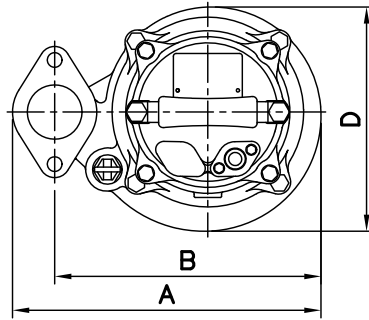
WT1:Pump Weight(Without Cable)
WT2:GRS Set Weight

DIMENSIONS

NO: S2AN0222032-00

MODEL: AN-22 / 23

1Ø / 3Ø



Flange	
Female Thread	
PF	NPT

Dimensions—mm

Weight:kg

Model	d	A	B	D	E	F	G	H	WT1	Elbow (Flange)Set	DN	DB	DC	DD	(n)QTY	WT2
AN-22 1Ø	50	282	244	207	138	141	517	580	31	EF2-96	50	96	121	12	2	1
AN-22 3Ø	50	282	244	207	138	141	436	499	27	EF2-96	50	96	121	12	2	1
AN-23 1Ø	50	282	244	207	138	141	529	592	35	EF2-96	50	96	121	12	2	1
AN-23 3Ø	50	282	244	207	138	141	436	499	30	EF2-96	50	96	121	12	2	1

Dimensions—inch

Weight:lb

Model	d	A	B	D	E	F	G	H	WT1	Elbow (Flange)Set	DN	DB	DC	DD	(n)QTY	WT2
AN-22 1Ø	2	11 ¹ / ₈	9 ⁵ / ₈	8 ¹ / ₈	5 ³ / ₁₆	5 ⁵ / ₁₆	20 ⁷ / ₁₆	22 ³ / ₁₆	68	EF2-96	2	3 ³ / ₄	4 ³ / ₄	1/2	2	1
AN-22 3Ø	2	11 ¹ / ₈	9 ⁵ / ₈	8 ¹ / ₈	5 ³ / ₁₆	5 ⁵ / ₁₆	17 ³ / ₁₆	19 ⁵ / ₁₆	60	EF2-96	2	3 ³ / ₄	4 ³ / ₄	1/2	2	1
AN-23 1Ø	2	11 ¹ / ₈	9 ⁵ / ₈	8 ¹ / ₈	5 ³ / ₁₆	5 ⁵ / ₁₆	20 ¹ / ₁₆	23 ⁵ / ₁₆	77	EF2-96	2	3 ³ / ₄	4 ³ / ₄	1/2	2	1
AN-23 3Ø	2	11 ¹ / ₈	9 ⁵ / ₈	8 ¹ / ₈	5 ³ / ₁₆	5 ⁵ / ₁₆	17 ³ / ₁₆	19 ⁵ / ₁₆	66	EF2-96	2	3 ³ / ₄	4 ³ / ₄	1/2	2	1

C.W.L.:Continuous Running Water Level
L.W.L.:Lowest Running Water Level

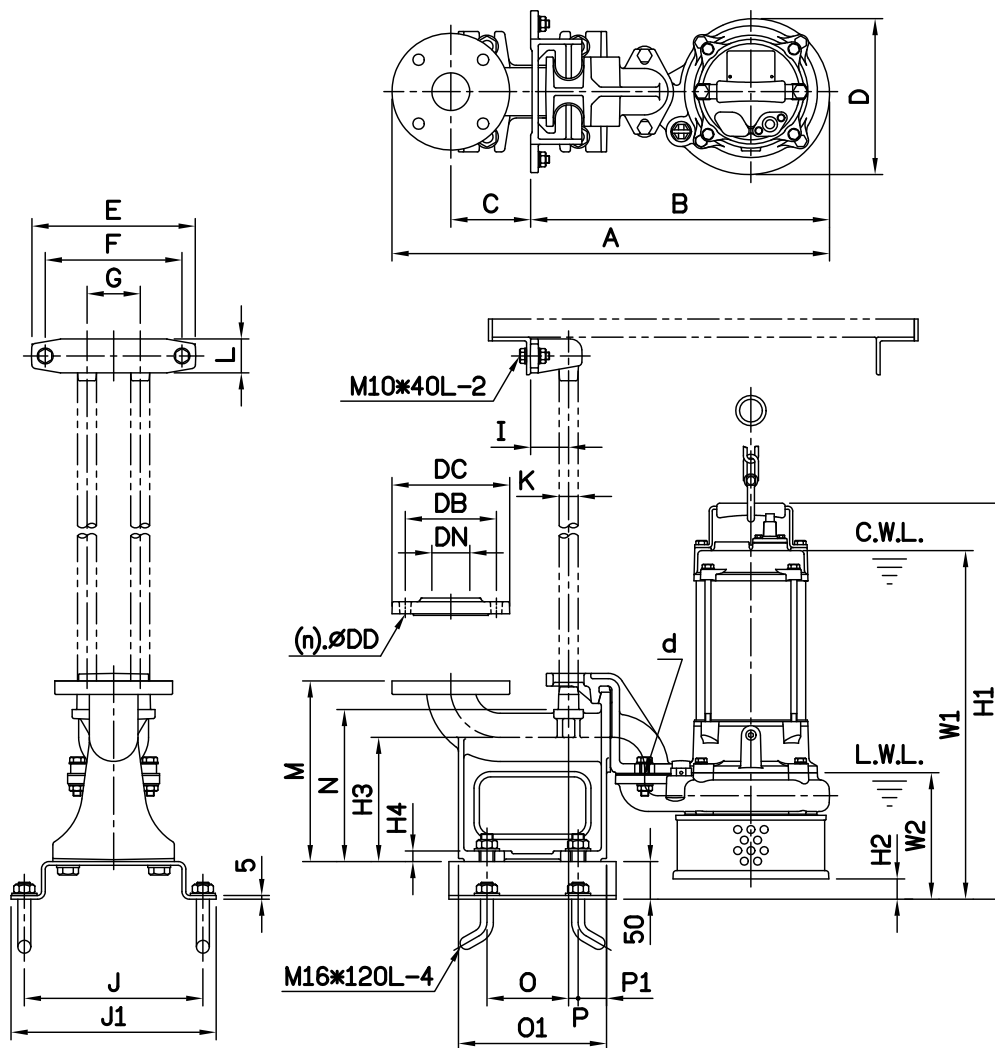
WT1:Pump Weight(Without Cable)
WT2:Elbow Set Weight

DIMENSIONS

NO: T2AN0222032-00

MODEL: AN-22 / 23

1Ø / 3Ø



Flange	
Female Thread	
PT	NPT

Dimensions-mm

Elbow (Flange)Set	DN	DB	DC	DD	(n)QTY
EF2-120	50	120	155	15	4

Dimensions-inch

Elbow (Flange)Set	DN	DB	DC	DD	(n)QTY
EF2-120	2	4 3/4	6 1/8	9/16	4

Dimensions-mm

Model	d	A	B	C	D	E	F	G	I	J	J1	K	L	M	N	O	O1	P	P1	W1	W2	H1	H2	H3	H4	WT1	GRS Set	WT2
AN-22 1Ø	50	557	394	105	207	215	180	70	50	235	270	1"	45	240	202	108	195	13	38	544	168	607	27	165	14	31	T50E-E5	21
AN-23 1Ø	50	557	394	105	207	215	180	70	50	235	270	1"	45	240	202	108	195	13	38	556	168	619	27	165	14	35	T50E-E5	21
AN-22 3Ø	50	557	394	105	207	215	180	70	50	235	270	1"	45	240	202	108	195	13	38	463	168	526	27	165	14	27	T50E-E5	21
AN-23 3Ø	50	557	394	105	207	215	180	70	50	235	270	1"	45	240	202	108	195	13	38	463	168	526	27	165	14	30	T50E-E5	21

Weight:kg

Dimensions-inch

Model	d	A	B	C	D	E	F	G	I	J	J1	K	L	M	N	O	O1	P	P1	W1	W2	H1	H2	H3	H4	WT1	GRS Set	WT2
AN-22 1Ø	2	21 15/16	15 1/2	4 1/8	8 1/8	8 3/16	7 1/16	2 3/4	2	9 3/4	10 5/8	1	1 3/4	9 5/16	7 15/16	4 1/4	7 1/2	1/2	1 1/2	21 1/16	6 5/8	23 3/8	1 1/16	6 1/2	9/16	68	T50E-E5	47
AN-23 1Ø	2	21 15/16	15 1/2	4 1/8	8 1/8	8 3/16	7 1/16	2 3/4	2	9 3/4	10 5/8	1	1 3/4	9 5/16	7 15/16	4 1/4	7 1/2	1/2	1 1/2	21 1/16	6 5/8	24 3/8	1 1/16	6 1/2	9/16	77	T50E-E5	47
AN-22 3Ø	2	21 15/16	15 1/2	4 1/8	8 1/8	8 3/16	7 1/16	2 3/4	2	9 3/4	10 5/8	1	1 3/4	9 5/16	7 15/16	4 1/4	7 1/2	1/2	1 1/2	18 1/4	6 5/8	20 11/16	1 1/16	6 1/2	9/16	60	T50E-E5	47
AN-23 3Ø	2	21 15/16	15 1/2	4 1/8	8 1/8	8 3/16	7 1/16	2 3/4	2	9 3/4	10 5/8	1	1 3/4	9 5/16	7 15/16	4 1/4	7 1/2	1/2	1 1/2	18 1/4	6 5/8	20 11/16	1 1/16	6 1/2	9/16	66	T50E-E5	47

Weight:lb

C.W.L.:Continuous Running Water Level
L.W.L.:Lowest Running Water Level

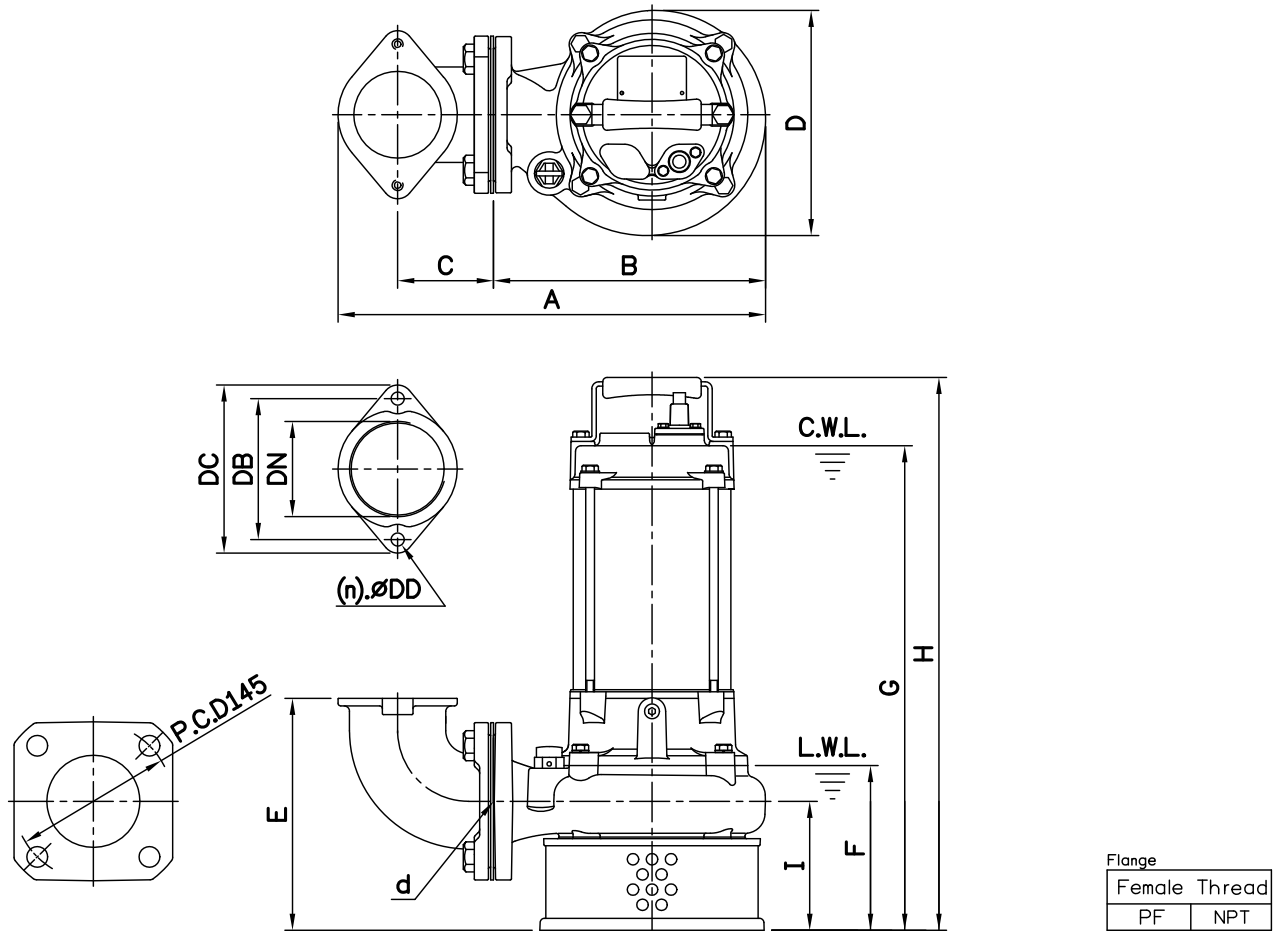
WT1:Pump Weight(Without Cable)
WT2:GRS Set Weight

DIMENSIONS

NO: S3AN0222032-00

MODEL: AN-32 / 33

1Ø / 3Ø



Dimensions—mm

Weight:kg

Model	d	A	B	C	D	E	F	G	H	I	WT1	Elbow (Flange)Set	DN	DB	DC	DD	(n)QTY	WT2
AN-32 1Ø	80	391	249	88	208	214	152	528	591	119	33	EB3-130	80	130	155	12	2	5
AN-32 3Ø	80	391	249	88	208	214	152	447	510	119	29	EB3-130	80	130	155	12	2	5
AN-33 1Ø	80	391	249	88	208	214	152	540	603	119	37	EB3-130	80	130	155	12	2	5
AN-33 3Ø	80	391	249	88	208	214	152	447	510	119	32	EB3-130	80	130	155	12	2	5

Dimensions—inch

Weight:lb

Model	d	A	B	C	D	E	F	G	H	I	WT1	Elbow (Flange)Set	DN	DB	DC	DD	(n)QTY	WT2
AN-32 1Ø	3	15 ³ / ₈	9 ¹³ / ₁₆	3 ⁷ / ₁₆	8 ³ / ₁₆	8 ⁷ / ₁₆	6	20 ⁷ / ₁₆	23 ³ / ₄	4 ¹ / ₁₆	73	EB3-130	3	5 ¹ / ₈	6 ¹ / ₈	1/2	2	11
AN-32 3Ø	3	15 ³ / ₈	9 ¹³ / ₁₆	3 ⁷ / ₁₆	8 ³ / ₁₆	8 ⁷ / ₁₆	6	17 ⁵ / ₈	20 ³ / ₁₆	4 ¹ / ₁₆	64	EB3-130	3	5 ¹ / ₈	6 ¹ / ₈	1/2	2	11
AN-33 1Ø	3	15 ³ / ₈	9 ¹³ / ₁₆	3 ⁷ / ₁₆	8 ³ / ₁₆	8 ⁷ / ₁₆	6	21 ¹ / ₄	23 ³ / ₄	4 ¹ / ₁₆	82	EB3-130	3	5 ¹ / ₈	6 ¹ / ₈	1/2	2	11
AN-33 3Ø	3	15 ³ / ₈	9 ¹³ / ₁₆	3 ⁷ / ₁₆	8 ³ / ₁₆	8 ⁷ / ₁₆	6	17 ⁵ / ₈	20 ³ / ₁₆	4 ¹ / ₁₆	71	EB3-130	3	5 ¹ / ₈	6 ¹ / ₈	1/2	2	11

C.W.L.:Continuous Running Water Level
L.W.L.:Lowest Running Water Level

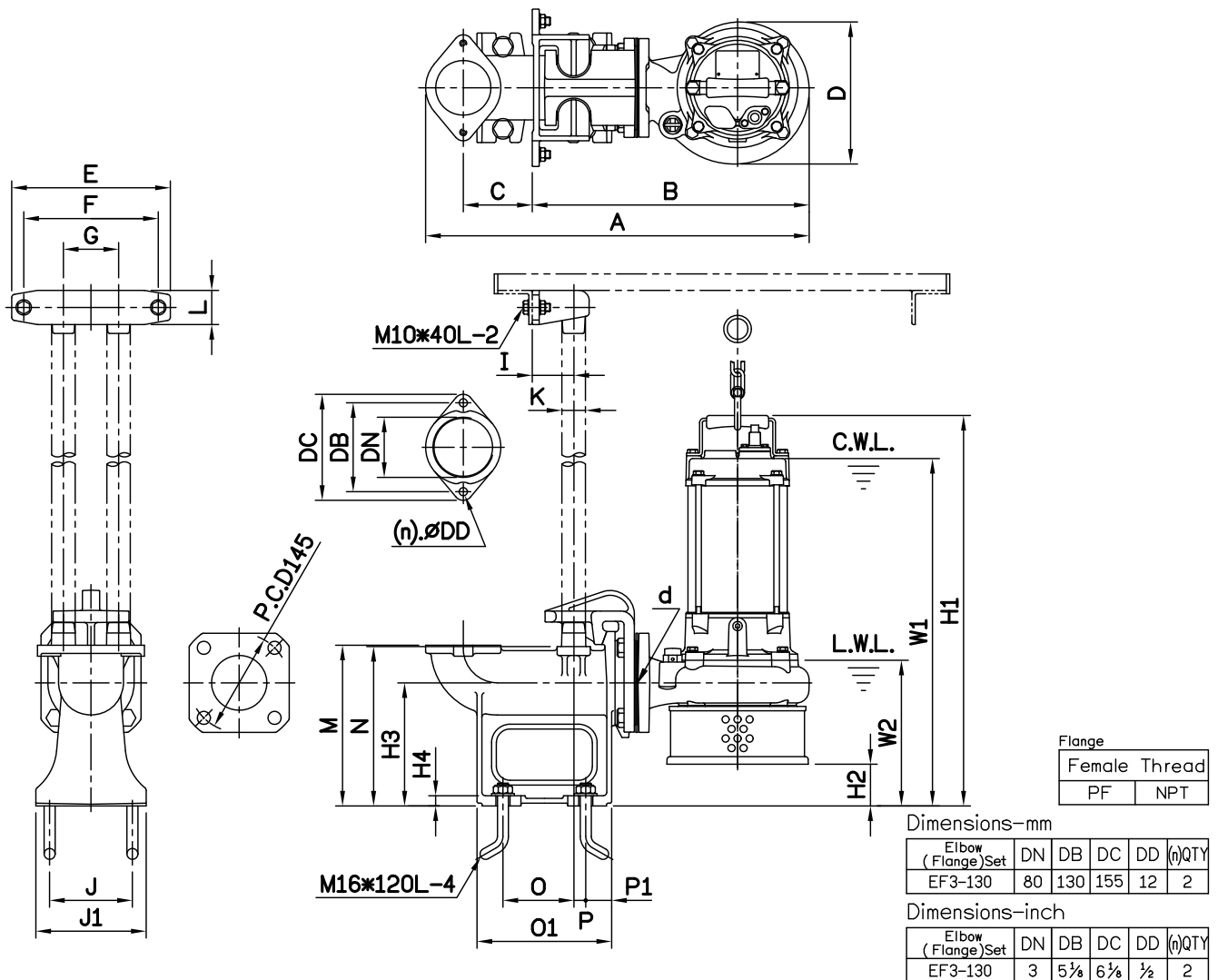
WT1:Pump Weight(Without Cable)
WT2:Elbow Set Weight

DIMENSIONS

NO: T3AN0222032-00

MODEL: AN-32 / 33

1Ø / 3Ø



Dimensions—mm

Model	d	A	B	C	D	E	F	G	I	J	J1	K	L	M	N	O	O1	P	P1	W1	W2	H1	H2	H3	H4	WT1	GRS Set	WT2
AN-32 1Ø	80	557	402	100	208	230	195	80	60	120	160	1 1/4	50	235	233	103	195	18	38	589	213	652	61	180	15	33	T2-80	20
AN-33 1Ø	80	557	402	100	208	230	195	80	60	120	160	1 1/4	50	235	233	103	195	18	38	601	213	664	61	180	15	37	T2-80	20
AN-32 3Ø	80	557	402	100	208	230	195	80	60	120	160	1 1/4	50	235	233	103	195	18	38	508	213	571	61	180	15	29	T2-80	20
AN-33 3Ø	80	557	402	100	208	230	195	80	60	120	160	1 1/4	50	235	233	103	195	18	38	508	213	571	61	180	15	32	T2-80	20

Dimensions—inch

Model	d	A	B	C	D	E	F	G	I	J	J1	K	L	M	N	O	O1	P	P1	W1	W2	H1	H2	H3	H4	WT1	GRS Set	WT2
AN-32 1Ø	3	21 15/16	15 3/16	3 15/16	8 9/16	9 1/16	7 11/16	3 1/8	2 3/8	4 3/4	6 1/8	1 1/4	2	9 3/4	9 3/16	4 1/16	7 1/16	1 1/16	1 1/2	23 3/16	8 3/8	25 11/16	2 3/8	7 1/16	5/16	73	T2-80	43
AN-33 1Ø	3	21 15/16	15 3/16	3 15/16	8 9/16	9 1/16	7 11/16	3 1/8	2 3/8	4 3/4	6 1/8	1 1/4	2	9 3/4	9 3/16	4 1/16	7 1/16	1 1/16	1 1/2	23 11/16	8 3/8	26 1/16	2 3/8	7 1/16	5/16	82	T2-80	43
AN-32 3Ø	3	21 15/16	15 3/16	3 15/16	8 9/16	9 1/16	7 11/16	3 1/8	2 3/8	4 3/4	6 1/8	1 1/4	2	9 3/4	9 3/16	4 1/16	7 1/16	1 1/16	1 1/2	20	8 3/8	22 1/2	2 3/8	7 1/16	5/16	64	T2-80	43
AN-33 3Ø	3	21 15/16	15 3/16	3 15/16	8 9/16	9 1/16	7 11/16	3 1/8	2 3/8	4 3/4	6 1/8	1 1/4	2	9 3/4	9 3/16	4 1/16	7 1/16	1 1/16	1 1/2	20	8 3/8	22 1/2	2 3/8	7 1/16	5/16	71	T2-80	43

C.W.L.:Continuous Running Water Level
L.W.L.:Lowest Running Water Level

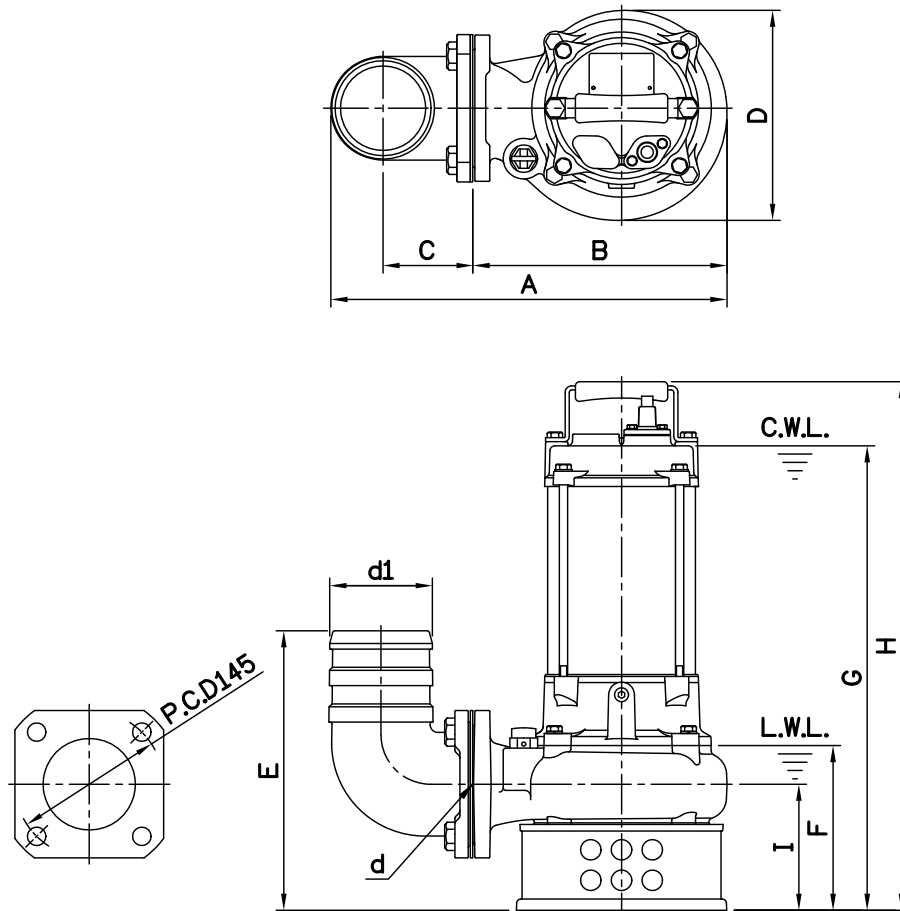
WT1:Pump Weight(Without Cable)
WT2:GRS Set Weight

DIMENSIONS

NO: S4AN0222032-00

MODEL: AN-43

1Ø / 3Ø



Dimensions-mm

Weight:kg

Model	d	A	B	C	D	E	F	G	H	I	WT1	Elbow (Flange)Set	d1	WT2
AN-43 1Ø	80	389	248	88	207	275	162	538	601	124	37	EBH4-(145)	100	6
AN-43 3Ø	80	389	248	88	207	275	162	457	520	124	32	EBH4-(145)	100	6

Dimensions-inch

Weight:lb

Model	d	A	B	C	D	E	F	G	H	I	WT1	Elbow (Flange)Set	d1	WT2
AN-43 1Ø	3	15 ⁵ / ₁₆	9 ³ / ₄	3 ⁷ / ₁₆	8 ¹ / ₈	10 ³ / ₁₆	6 ³ / ₈	21 ³ / ₁₆	23 ¹¹ / ₁₆	4 ⁷ / ₈	82	EBH4-(145)	4	13
AN-43 3Ø	3	15 ⁵ / ₁₆	9 ³ / ₄	3 ⁷ / ₁₆	8 ¹ / ₈	10 ³ / ₁₆	6 ³ / ₈	18	20 ¹ / ₂	4 ⁷ / ₈	71	EBH4-(145)	4	13

C.W.L.:Continuous Running Water Level
L.W.L.:Lowest Running Water Level

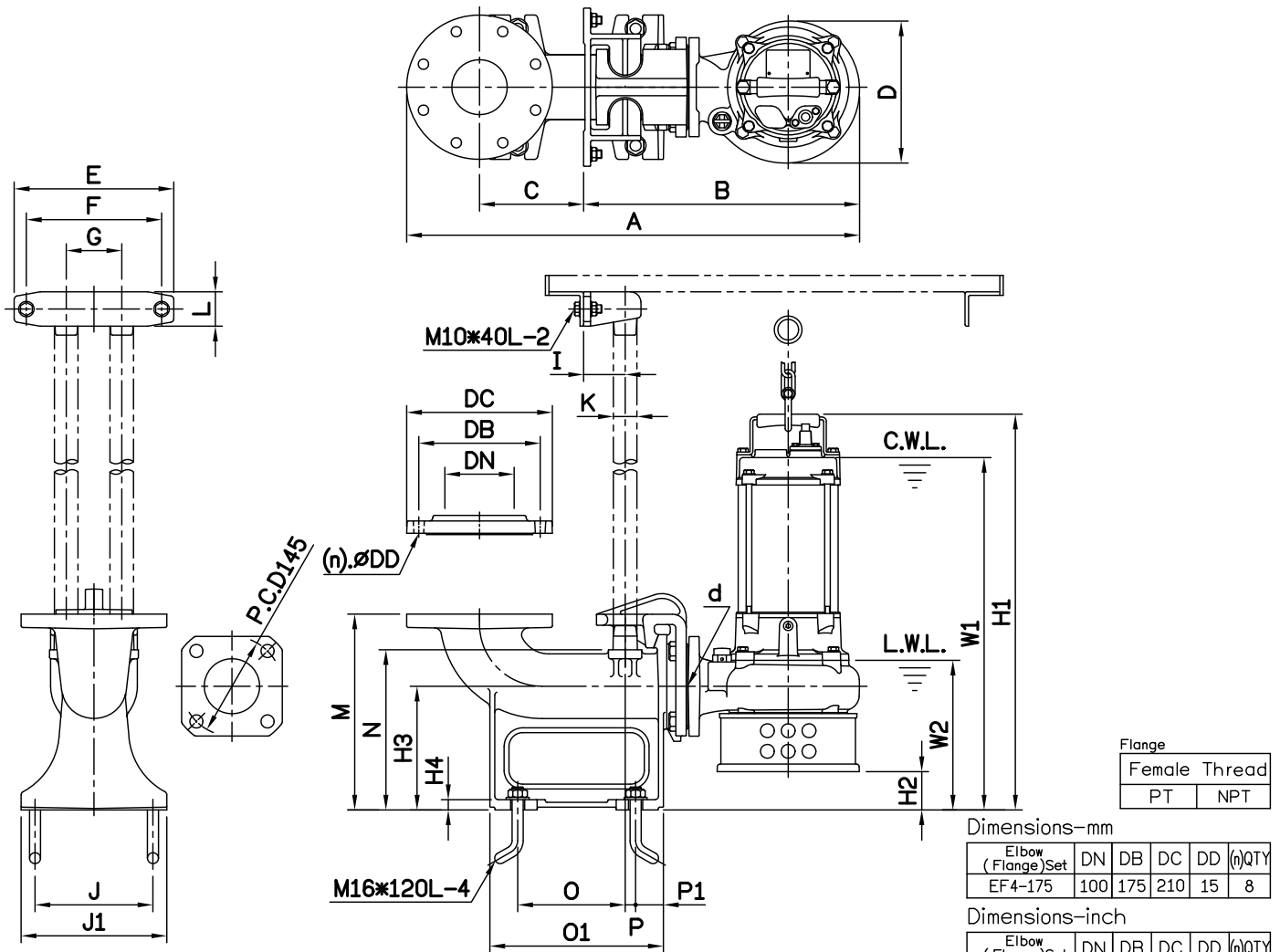
WT1:Pump Weight(Without Cable)
WT2:Elbow Set Weight

DIMENSIONS

NO: T4AN0222032-00

MODEL: AN-43

1Ø / 3Ø



Dimensions-mm

Model	d	A	B	C	D	E	F	G	I	J	J1	K	L	M	N	O	O1	P	P1	W1	W2	H1	H2	H3	H4	WT1	Weight:kg	
																											GRS Set	WT2
AN-43 1Ø	80	656	401	150	207	230	195	80	60	170	210	1 1/4	50	285	233	155	250	15	40	594	217	657	27	180	15	37	T100(80)B	30
AN-43 3Ø	80	656	401	150	207	230	195	80	60	170	210	1 1/4	50	285	233	155	250	15	40	513	217	576	27	180	15	32	T100(80)B	30

Dimensions-inch

Model	d	A	B	C	D	E	F	G	I	J	J1	K	L	M	N	O	O1	P	P1	W1	W2	H1	H2	H3	H4	WT1	Weight:lb	
																											GRS Set	WT2
AN-43 1Ø	3	25 7/8	15 3/8	5 15/16	8 1/8	9 1/16	7 11/16	3 3/8	2 3/8	6 11/16	8 1/4	1 1/4	2	11 1/4	9 3/16	6 1/8	9 9/16	5/8	1 5/8	23 3/8	8 3/16	25 7/8	1 1/16	7 1/16	5/16	82	T100(80)B	67
AN-43 3Ø	3	25 7/8	15 3/8	5 15/16	8 1/8	9 1/16	7 11/16	3 3/8	2 3/8	6 11/16	8 1/4	1 1/4	2	11 1/4	9 3/16	6 1/8	9 9/16	5/8	1 5/8	20 3/16	8 3/16	22 1/16	1 1/16	7 1/16	5/16	71	T100(80)B	67

C.W.L.:Continuous Running Water Level
L.W.L.:Lowest Running Water Level

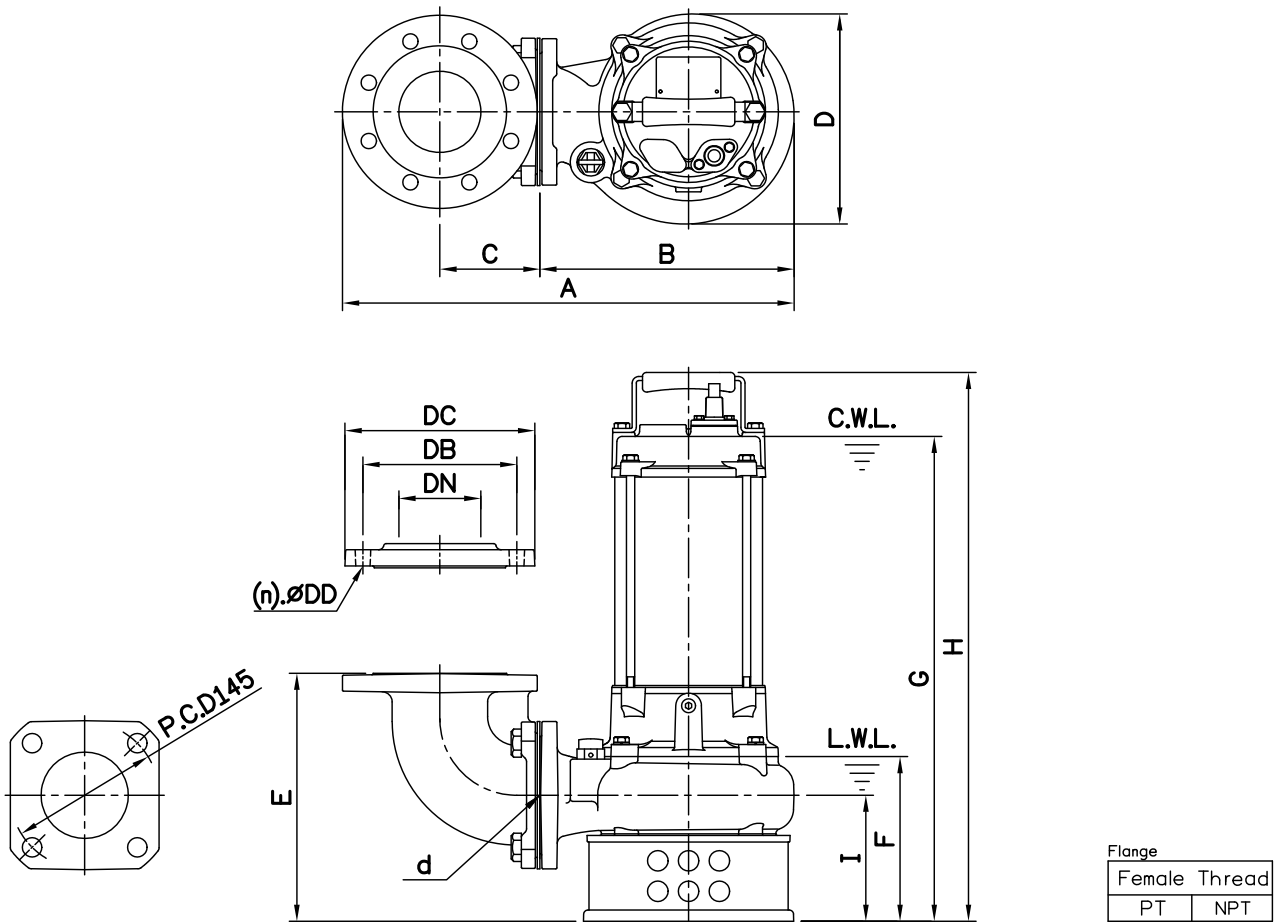
WT1:Pump Weight(Without Cable)
WT2:GRS Set Weight

DIMENSIONS

NO: S3AN0237032-00

MODEL: AN-35

3Ø



Dimensions—mm

Model	d	A	B	C	D	E	F	G	H	I	WT1	Elbow (Flange)Set	DN	DB	DC	DD	(n)QTY	WT2
AN-35	80	440	248	98	207	244	162	477	540	124	35	EB3-150A	80	150	185	15	8	12

Weight:kg

Dimensions—inch

Model	d	A	B	C	D	E	F	G	H	I	WT1	Elbow (Flange)Set	DN	DB	DC	DD	(n)QTY	WT2
AN-35	3	17 ¹ / ₈	9 ³ / ₄	3 ⁷ / ₈	8 ¹ / ₈	9 ⁵ / ₈	6 ³ / ₈	18 ³ / ₄	21 ¹ / ₄	4 ⁷ / ₈	77	EB3-150A	3	5 ⁷ / ₈	7 ³ / ₈	3 ¹ / ₈	8	26

Weight:lb

C.W.L.:Continuous Running Water Level
L.W.L.:Lowest Running Water Level

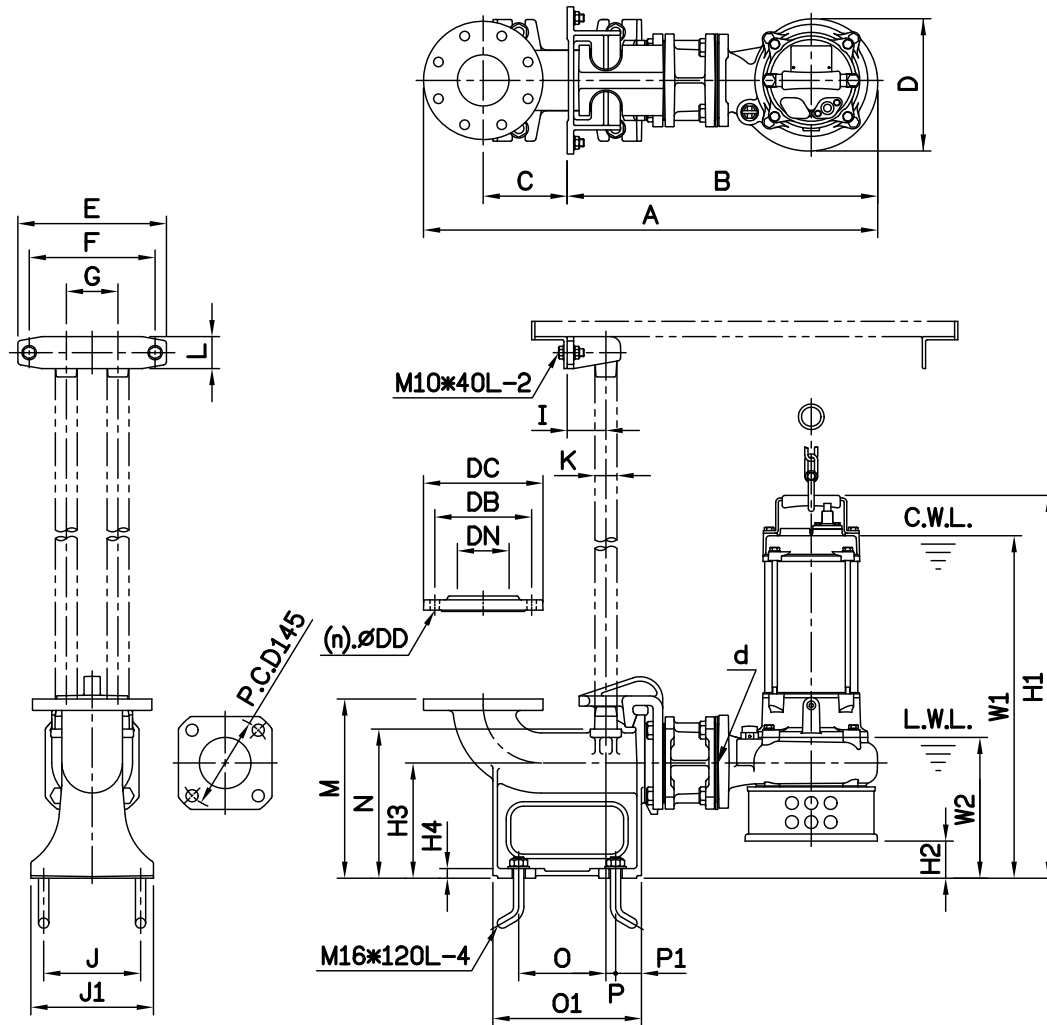
WT1:Pump Weight(Without Cable)
WT2:Elbow Set Weight

DIMENSIONS

NO: T3AN0237032-00

MODEL: AN-35

3Ø



Flange	
Female Thread	
PT	NPT

Dimensions-mm

Elbow (Flange)Set	DN	DB	DC	DD	(n)QTY
EF3-150	80	150	185	15	8

Dimensions-inch

Elbow (Flange)Set	DN	DB	DC	DD	(n)QTY
EF3-150	3	5 ⁷ / ₁₆	7 ⁷ / ₁₆	9 ¹ / ₁₆	8

Dimensions-mm

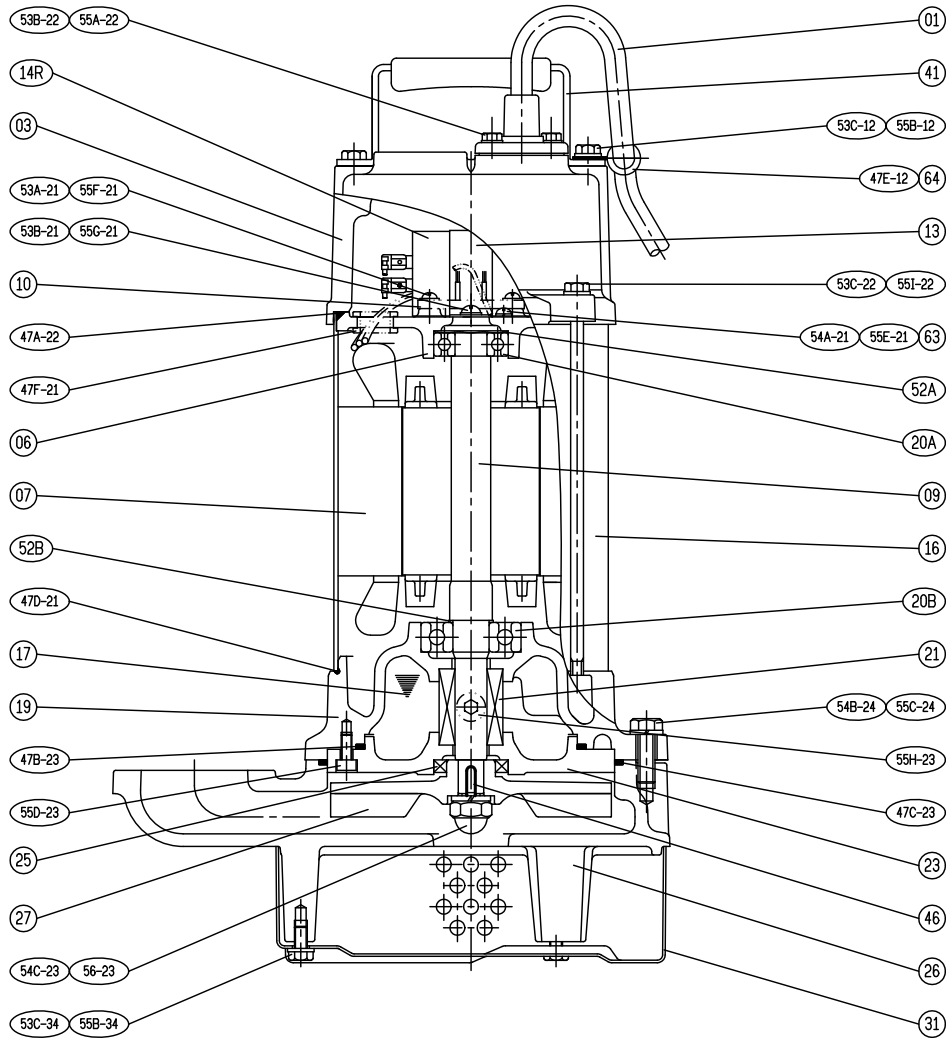
Model	d	A	B	C	D	E	F	G	I	J	J1	K	L	M	N	O	O1	P	P1	W1	W2	H1	H2	H3	H4	WT1	Weight:kg	
																											GRS Set	WT2
AN-35	80	703	481	130	207	230	195	80	60	150	190	1 ¹ / ₄ "	50	280	233	135	230	15	40	535	220	598	58	180	15	35	T80DH	31

Dimensions-inch

Model	d	A	B	C	D	E	F	G	I	J	J1	K	L	M	N	O	O1	P	P1	W1	W2	H1	H2	H3	H4	WT1	Weight:lb	
																											GRS Set	WT2
AN-35	3	27 ¹ / ₁₆	18 ⁷ / ₁₆	5 ¹ / ₁₆	8 ¹ / ₁₆	9 ¹ / ₁₆	7 ¹ / ₁₆	3 ³ / ₁₆	2 ³ / ₁₆	5 ¹ / ₁₆	7 ¹ / ₂	1 ¹ / ₄	2	11	9 ³ / ₁₆	5 ⁵ / ₁₆	9 ⁷ / ₁₆	9 ¹ / ₁₆	1 ¹ / ₁₆	21 ¹ / ₁₆	8 ¹ / ₁₆	23 ³ / ₁₆	2 ⁵ / ₁₆	7 ¹ / ₁₆	9 ¹ / ₁₆	77	T80DH	68

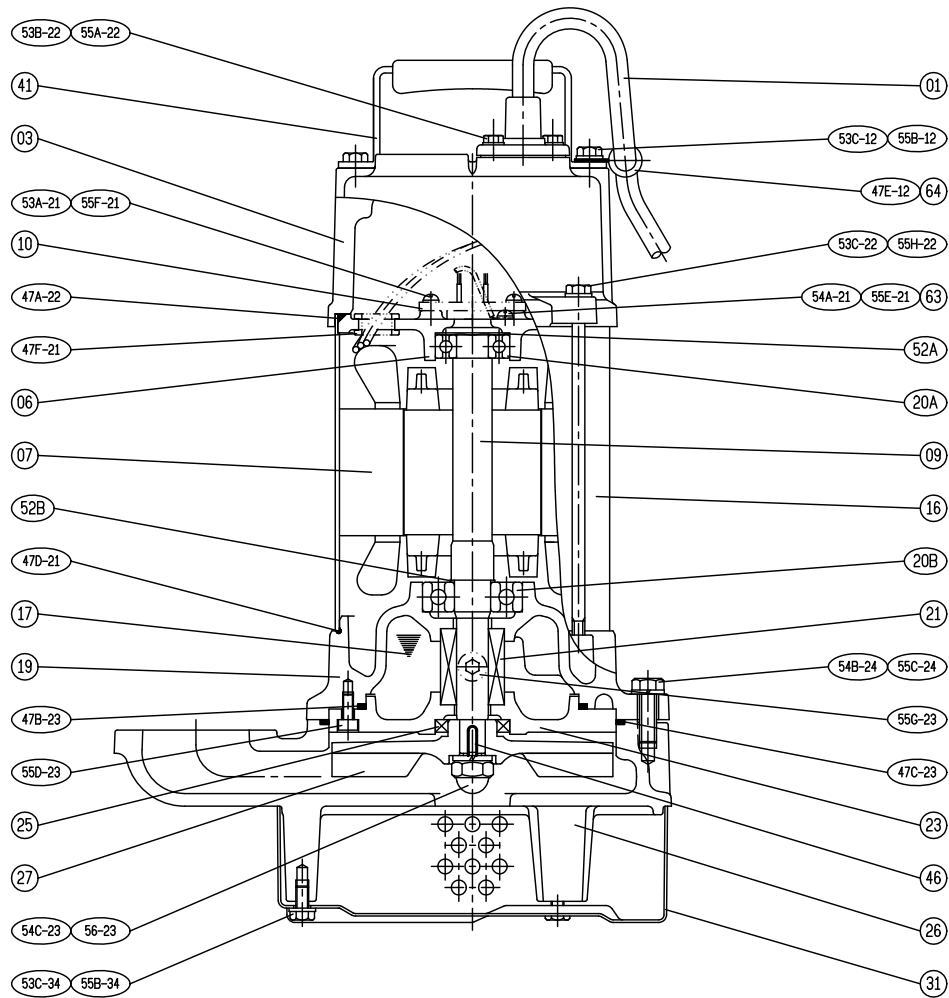
C.W.L.:Continuous Running Water Level
L.W.L.:Lowest Running Water Level

WT1:Pump Weight(Without Cable)
WT2:GRS Set Weight



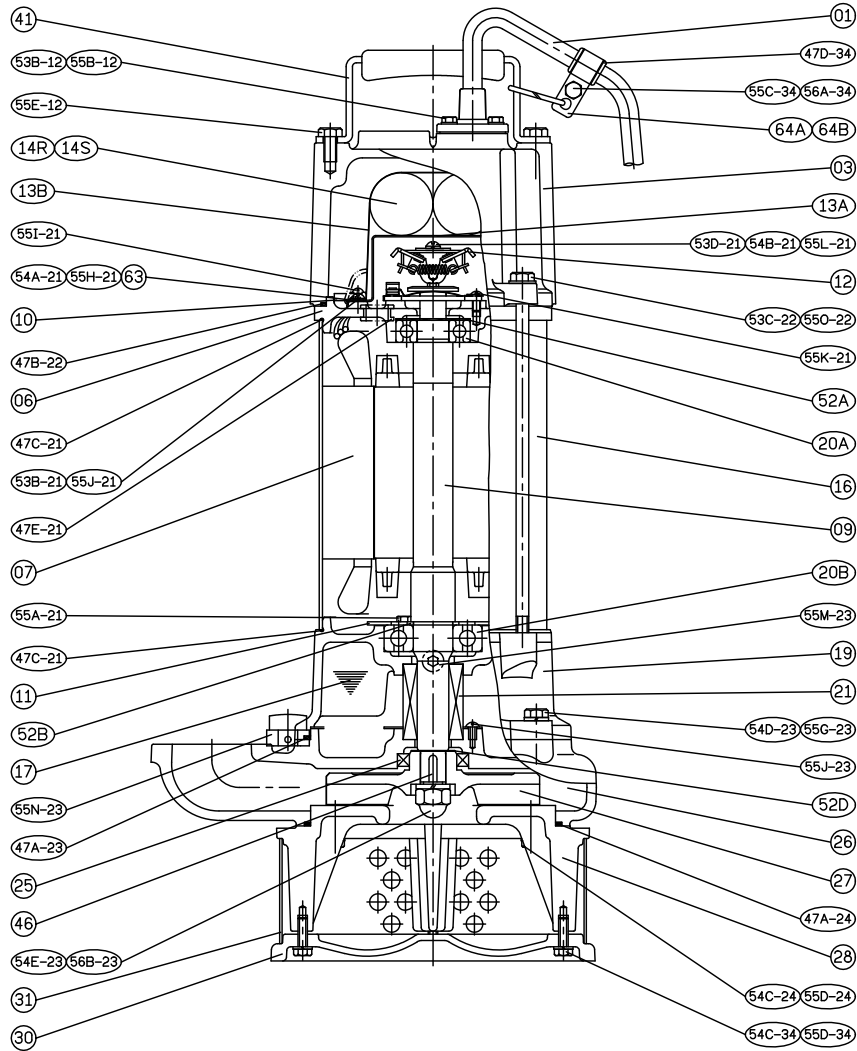
No.	Part name	Material	QTY	Remark
01	Cable		1	
03	Upper cover	FC200	1	
06	Bracket	FC200	1	
07	Stator		1	
09	Shaft end	SUS410	1	
10	Auto-cut Protector		1	
14R	Capacitor		1	
16	Motor frame	SUS304	1	
17	Lubricant			
19	Bearing bracket	FC200	1	
20A	Bearing		1	
20B	Bearing		1	
21	M.seal	CA / CE & SIC / SIC	1	

No.	Part name	Material	QTY	Remark
23	M.seal bracket	FC200	1	
25	Oil seal	NBR	1	
26	Casing	FC200	1	
27	Impeller	FC200	1	
31	Strainer	SUS304	1	
41	Handle	SUS304	1	
46	Impeller key	SUS304	1	
47	Packing			



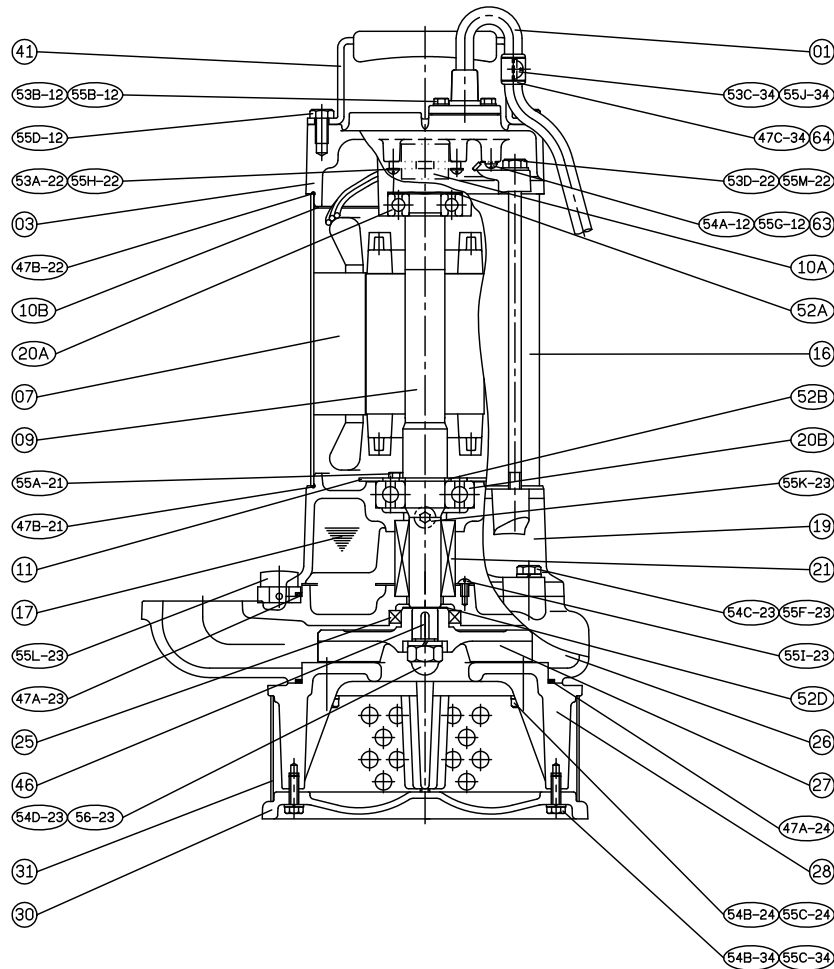
No.	Part name	Material	QTY	Remark
01	Cable		1	
03	Upper cover	FC200	1	
06	Bracket	FC200	1	
07	Stator		1	
09	Shaft end	SUS410	1	
10	Auto-cut Protector		1	
16	Motor frame	SUS304	1	
17	Lubricant			
19	Bearing bracket	FC200	1	
20A	Bearing		1	
20B	Bearing		1	
21	M.seal	CA / CE & SiC / SiC	1	
23	M.seal bracket	FC200	1	

No.	Part name	Material	QTY	Remark
25	Oil seal	NBR	1	
26	Casing	FC200	1	
27	Impeller	FC200	1	
31	Strainer	SUS304	1	
41	Handle	SUS304	1	
46	Impeller key	SUS304	1	
47	Packing			



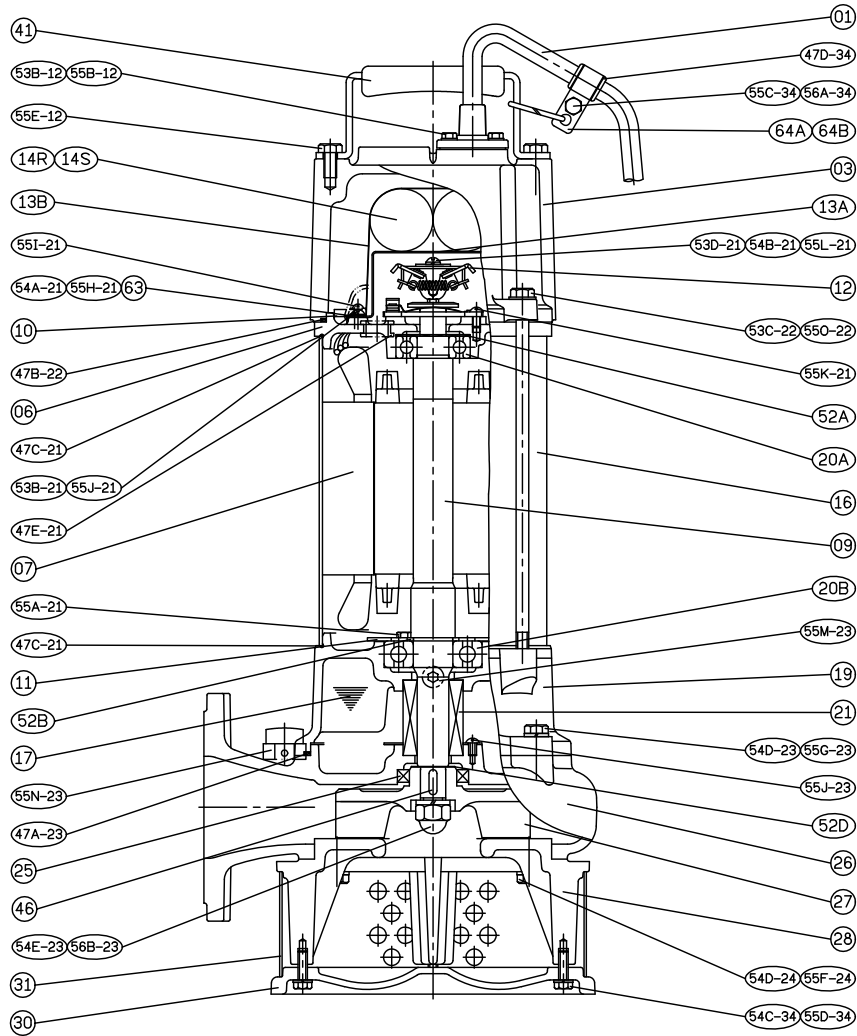
No.	Part name	Material	QTY	Remark
01	Cable		1	
03	Upper cover	FC200	1	
06	Bracket	FC200	1	
07	Stator		1	
09	Shaft end	SUS403	1	
10	Auto-cut Protector		1	
11	Bearing fixer	SPCC	1	
12	Centrifugal switch		1	
14R	Capacitor		1	
14S	Start capacitor		1	
16	Motor frame	SUS304	1	
17	Lubricant			
19	Bearing bracket	FC200	1	

No.	Part name	Material	QTY	Remark
20A	Bearing		1	
20B	Bearing		1	
21	M.seal	CA / CE & SIC / SIC	1	
25	Oil seal	NBR	1	
26	Casing	FC200	1	
27	Impeller	FC200	1	
28	Casing cover	FC200	1	
30	Footing	FC200	1	
31	Strainer	SUS304	1	
41	Handle	SUS304	1	
46	Impeller key	SUS304	1	
47	Packing			



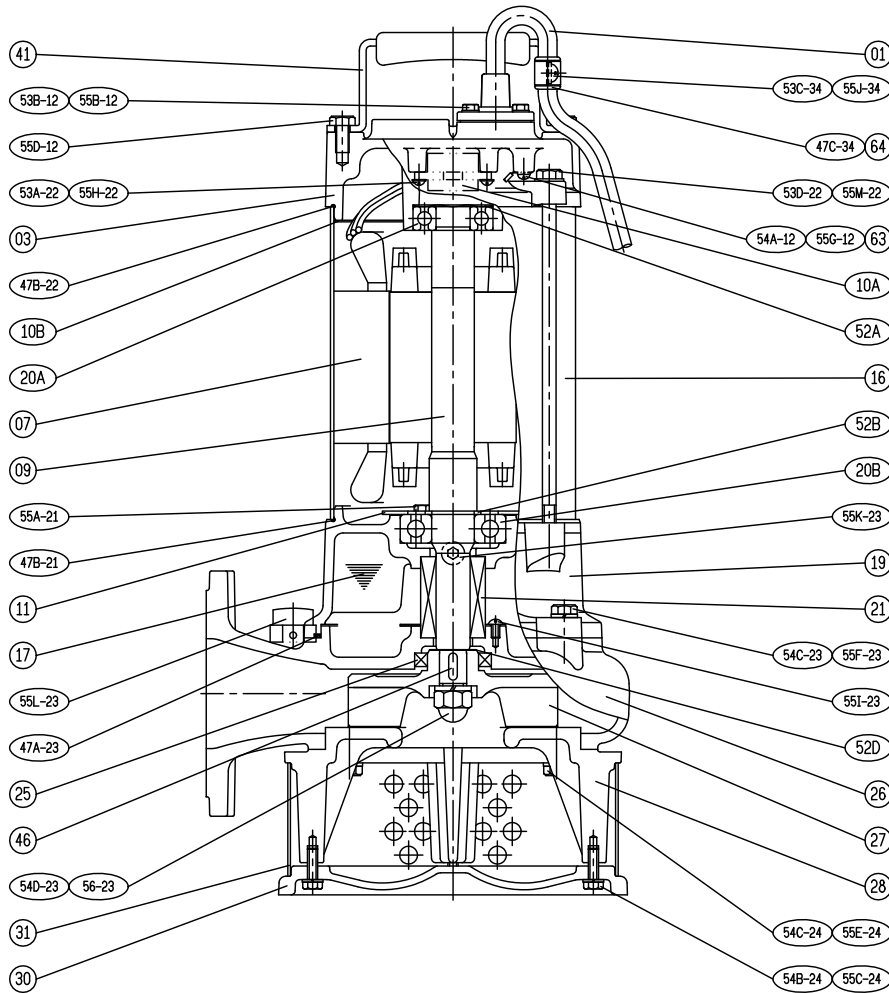
No.	Part name	Material	QTY	Remark
01	Cable		1	
03	Upper cover	FC200	1	
07	Stator		1	
09	Shaft end	SUS403	1	
10A	Auto-cut Protector		1	
10B	Protective Plate		1	
11	Bearing fixer	SPCC	1	
16	Motor frame	SUS304	1	
17	Lubricant			
19	Bearing bracket	FC200	1	
20A	Bearing		1	
20B	Bearing		1	
21	M.seal	CA / CE & SIC / SIC	1	

No.	Part name	Material	QTY	Remark
25	Oil seal	NBR	1	
26	Casing	FC200	1	
27	Impeller	FC200	1	
28	Casing cover	FC200	1	
30	Footing	FC200	1	
31	Strainer	SUS304	1	
41	Handle	SUS304	1	
46	Impeller key	SUS304	1	
47	Packing			



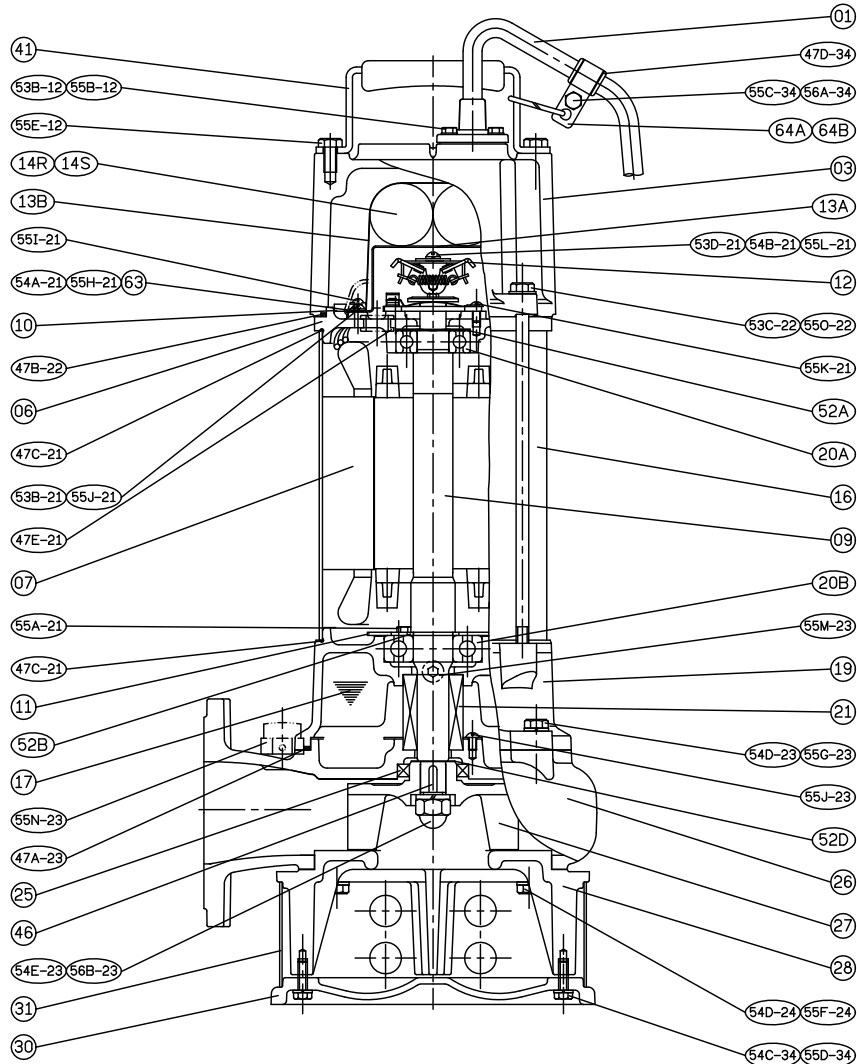
No.	Part name	Material	QTY	Remark
01	Cable		1	
03	Upper cover	FC200	1	
06	Bracket	FC200	1	
07	Stator		1	
09	Shaft end	SUS403	1	
10	Auto-cut Protector		1	
11	Bearing fixer	SPCC	1	
12	Centrifugal switch		1	
14R	Capacitor		1	
14S	Start capacitor		1	
16	Motor frame	SUS304	1	
17	Lubricant			
19	Bearing bracket	FC200	1	

No.	Part name	Material	QTY	Remark
20A	Bearing		1	
20B	Bearing		1	
21	M.seal	CA / CE & SIC / SIC	1	
25	Oil seal	NBR	1	
26	Casing	FC200	1	
27	Impeller	FC200	1	
28	Casing cover	FC200	1	
30	Footing	FC200	1	
31	Strainer	SUS304	1	
41	Handle	SUS304	1	
46	Impeller key	SUS304	1	
47	Packing			



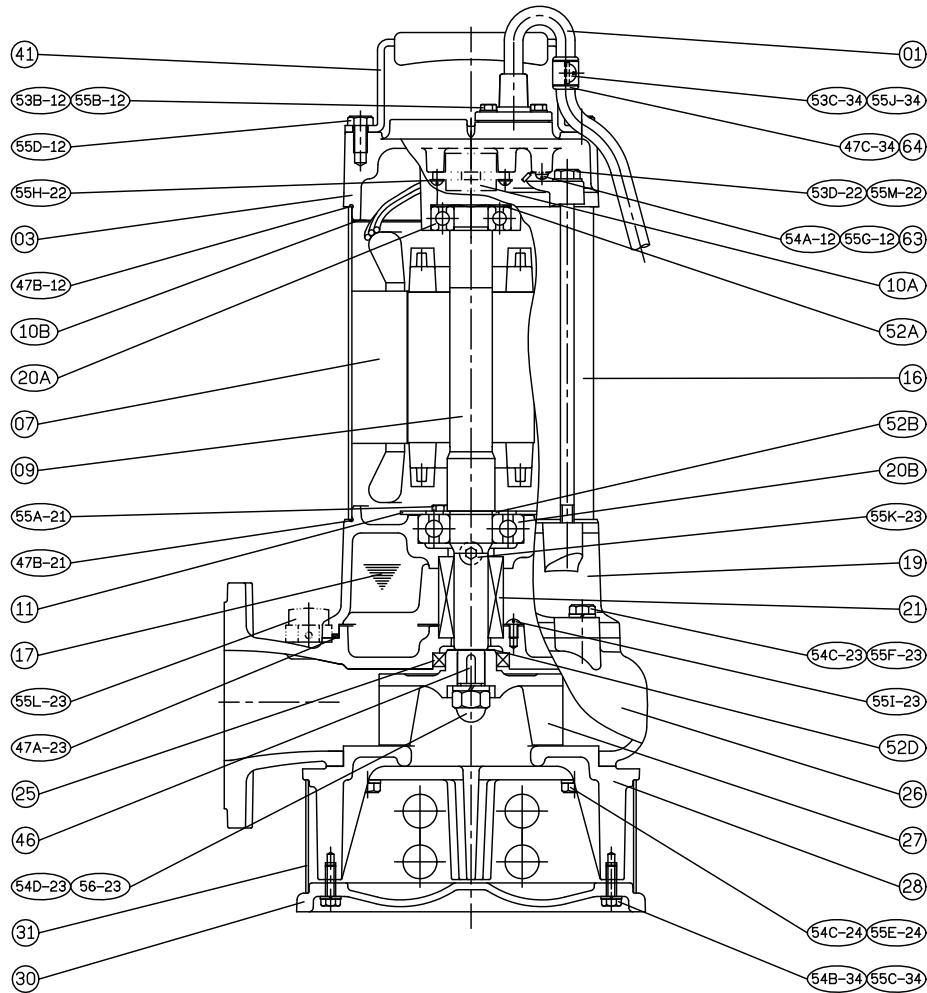
No.	Part name	Material	QTY	Remark
01	Cable		1	
03	Upper cover	FC200	1	
07	Stator		1	
09	Shaft end	SUS403	1	
10A	Auto-cut Protector		1	
10B	Protective Plate		1	
11	Bearing fixer	SPCC	1	
16	Motor frame	SUS304	1	
17	Lubricant			
19	Bearing bracket	FC200	1	
20A	Bearing		1	
20B	Bearing		1	
21	M.seal	CA / CE & SIC / SIC	1	

No.	Part name	Material	QTY	Remark
25	Oil seal	NBR	1	
26	Casing	FC200	1	
27	Impeller	FC200	1	
28	Casing cover	FC200	1	
30	Footing	FC200	1	
31	Strainer	SUS304	1	
41	Handle	SUS304	1	
46	Impeller key	SUS304	1	
47	Packing			



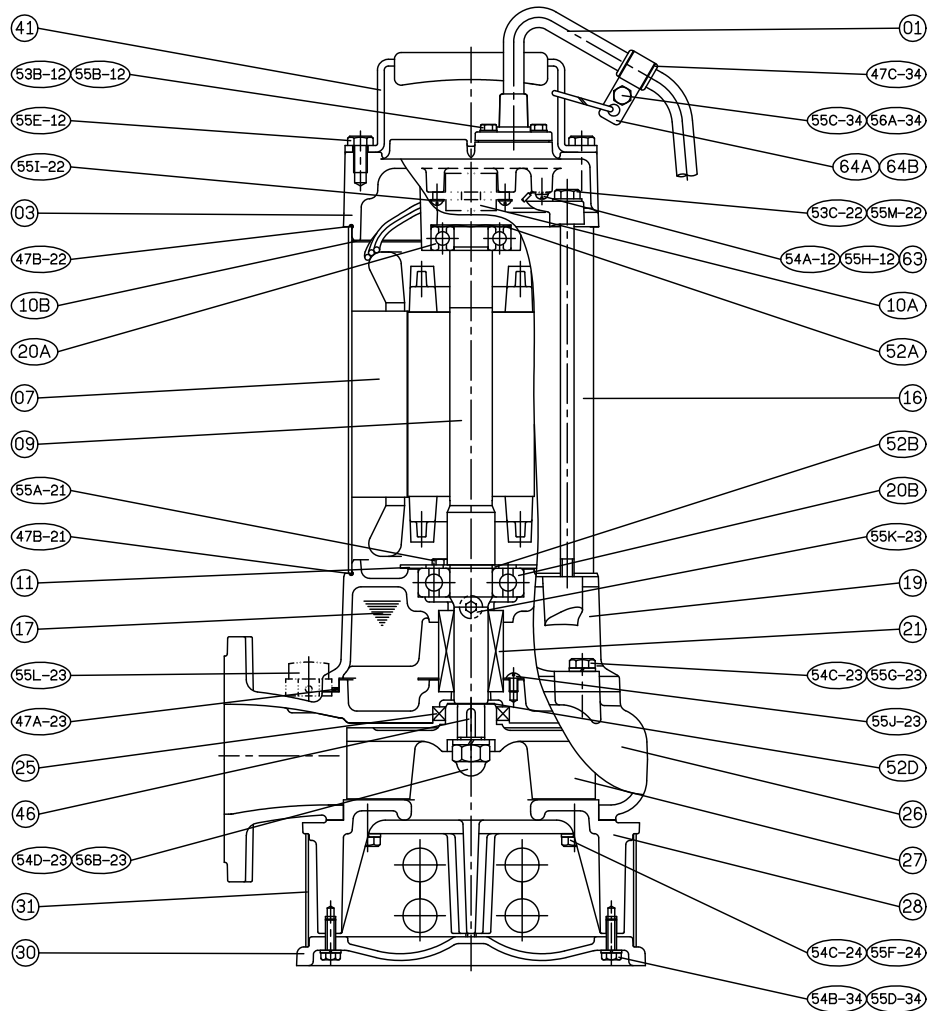
No.	Part name	Material	QTY	Remark
01	Cable		1	
03	Upper cover	FC200	1	
06	Bracket	FC200	1	
07	Stator		1	
09	Shaft end	SUS403	1	
10	Auto-cut Protector		1	
11	Bearing fixer	SPCC	1	
12	Centrifugal switch		1	
14R	Capacitor		1	
14S	Start capacitor		1	
16	Motor frame	SUS304	1	
17	Lubricant			
19	Bearing bracket	FC200	1	

No.	Part name	Material	QTY	Remark
20A	Bearing		1	
20B	Bearing		1	
21	M.seal	CA / CE & SIC / SIC	1	
25	Oil seal	NBR	1	
26	Casing	FC200	1	
27	Impeller	FC200	1	
28	Casing cover	FC200	1	
30	Footing	FC200	1	
31	Strainer	SUS304	1	
41	Handle	SUS304	1	
46	Impeller key	SUS304	1	
47	Packing			



No.	Part name	Material	QTY	Remark
01	Cable		1	
03	Upper cover	FC200	1	
07	Stator		1	
09	Shaft end	SUS403	1	
10A	Auto-cut Protector		1	
10B	Protective Plate		1	
11	Bearing fixer	SPCC	1	
16	Motor frame	SUS304	1	
17	Lubricant			
19	Bearing bracket	FC200	1	
20A	Bearing		1	
20B	Bearing		1	
21	M.seal	CA / CE & SIC / SIC	1	

No.	Part name	Material	QTY	Remark
25	Oil seal	NBR	1	
26	Casing	FC200	1	
27	Impeller	FC200	1	
28	Casing cover	FC200	1	
30	Footing	FC200	1	
31	Strainer	SUS304	1	
41	Handle	SUS304	1	
46	Impeller key	SUS304	1	
47	Packing			



No.	Part name	Material	QTY	Remark
01	Cable		1	
03	Upper cover	FC200	1	
07	Stator		1	
09	Shaft end	SUS403	1	
10A	Auto-cut Protector		1	
10B	Protective Plate		1	
11	Bearing fixer	SPCC	1	
16	Motor frame	SUS304	1	
17	Lubricant			
19	Bearing bracket	FC200	1	
20A	Bearing		1	
20B	Bearing		1	
21	M.seal	CA / CE & SIC / SIC	1	

No.	Part name	Material	QTY	Remark
25	Oil seal	NBR	1	
26	Casing	FC200	1	
27	Impeller	FC200	1	
28	Casing cover	FC200	1	
30	Footing	FC200	1	
31	Strainer	SUS304	1	
41	Handle	SUS304	1	
46	Impeller key	SUS304	1	
47	Packing			



Professionalism • Innovation • Service • Commitment

A series of horizontal dotted lines spanning the width of the page, providing a template for handwritten notes or answers.